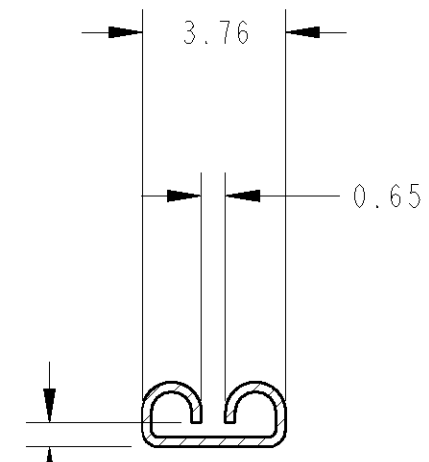
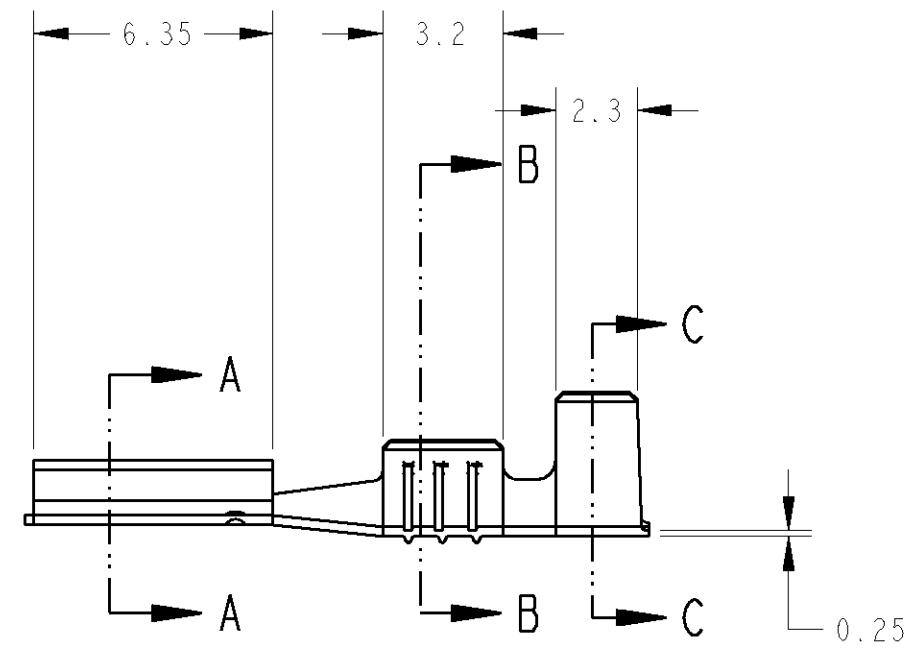


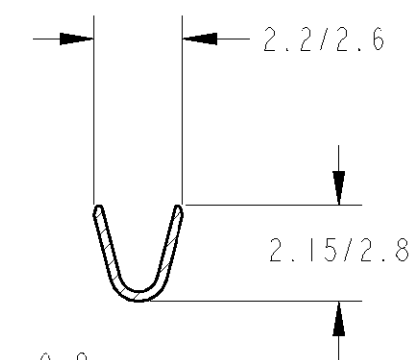
THIS DRAWING IS UNPUBLISHED. RELEASED FOR PUBLICATION
 © COPYRIGHT ALL RIGHTS RESERVED.

LOC	DIST	REVISIONS			
P	LTR REV	DESCRIPTION MODIFICATIONS	DATE	DWN DESS.	APVD APP.
F	7	A2 REVISED PER ECO-11-005140	01APR11	RK	HMR

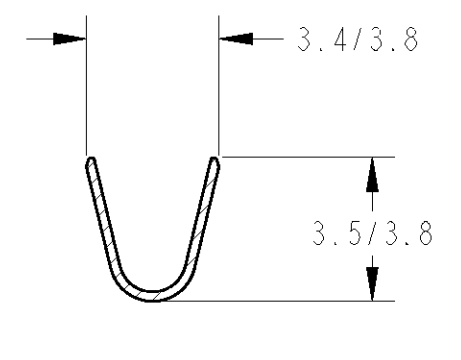


Entre-fer pour languette 2.8 x 0.8
 Gap for tab 2.8 x 0.8 series.

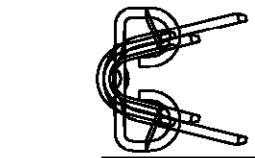
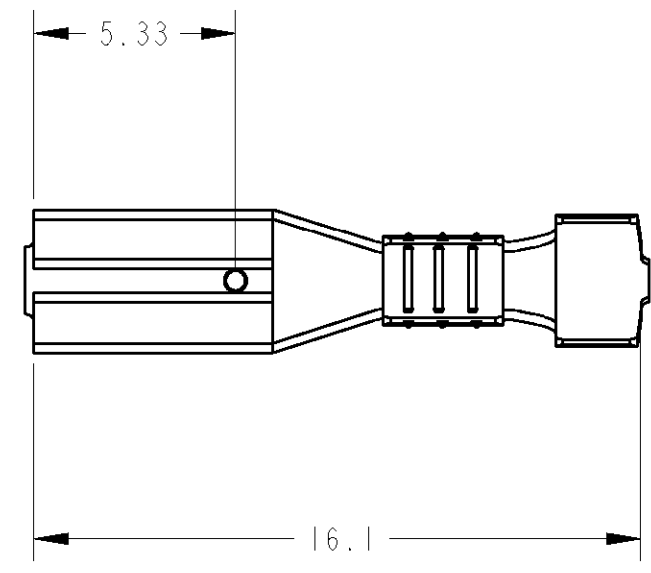
COUPE A-A



COUPE B-B



COUPE C-C



2

DIA. ISOLANT	SECTION mm2	Ep. TAB	FINITION	MATIERE	REFERENCE VRAC PREFORME	REFERENCE VRAC	REFERENCE
1.5 2.5	0.3 1	0.8	POST ETAME	LAITON	141287-3	/	140825-3
1.5 2.5	0.3 1	0.8	PRE ETAME	LAITON	141287-2	140852-2	140825-2
1.5 2.5	0.3 1	0.8	BRUT	LAITON	141287-1	140852-1	140825-1

1 PRODUIT LIVRE EN BANDE, PAS 17.9±0.1.
 CONTINUOUS STRIP ON REEL, FEED 17.9±0.1.

2 OBSOLETE PARTS: OBSOLETE CIS STREAMLINING PER D.RENAUD/D.SINISI

DIMENSIONS: mm 		TOLERANCES UNLESS OTHERWISE SPECIFIED: (SUIV NB DE DECIMALES): 0 PLC / DEC: ± 1 PLC / DEC: ±0.5 2 PLC / DEC: ±0.13 3 PLC / DEC: ±0.013 4 PLC / DEC: ±0.0001 ANGLES ±		DWN / DESSINE 09DEC97 Gérard ROBERT CHK / VERIFIE 09DEC97 Gérard ROBERT APVD / APPROUVE 09DEC97 Yves PETRONIN PRODUCT SPEC SPEC. PRODUIT APPLICATION SPEC SPEC. APPLICATION 114-35000		TE Connectivity .110 SERIES RECEPTACLE, FASTON							
MATERIAL MATIERE	VOIR TABLEAU	FINISH FINITION	VOIR TABLEAU	WEIGHT MASSE APPROX.	-	SIZE FORMAT	A3	CAGE CODE	00779	DRAWING NO No PLAN	©-140825	RESTRICTED TO RESERVE A	-
CUSTOMER DRAWING / PLAN CLIENT				UNIQUEMENT POUR REFERENCE		SCALE ECHELLE	5:1	SHEET FEUILLE	OF DE	REV	A2		

单击下面可查看定价，库存，交付和生命周期等信息

[>>TE Connectivity\(泰科\)](#)