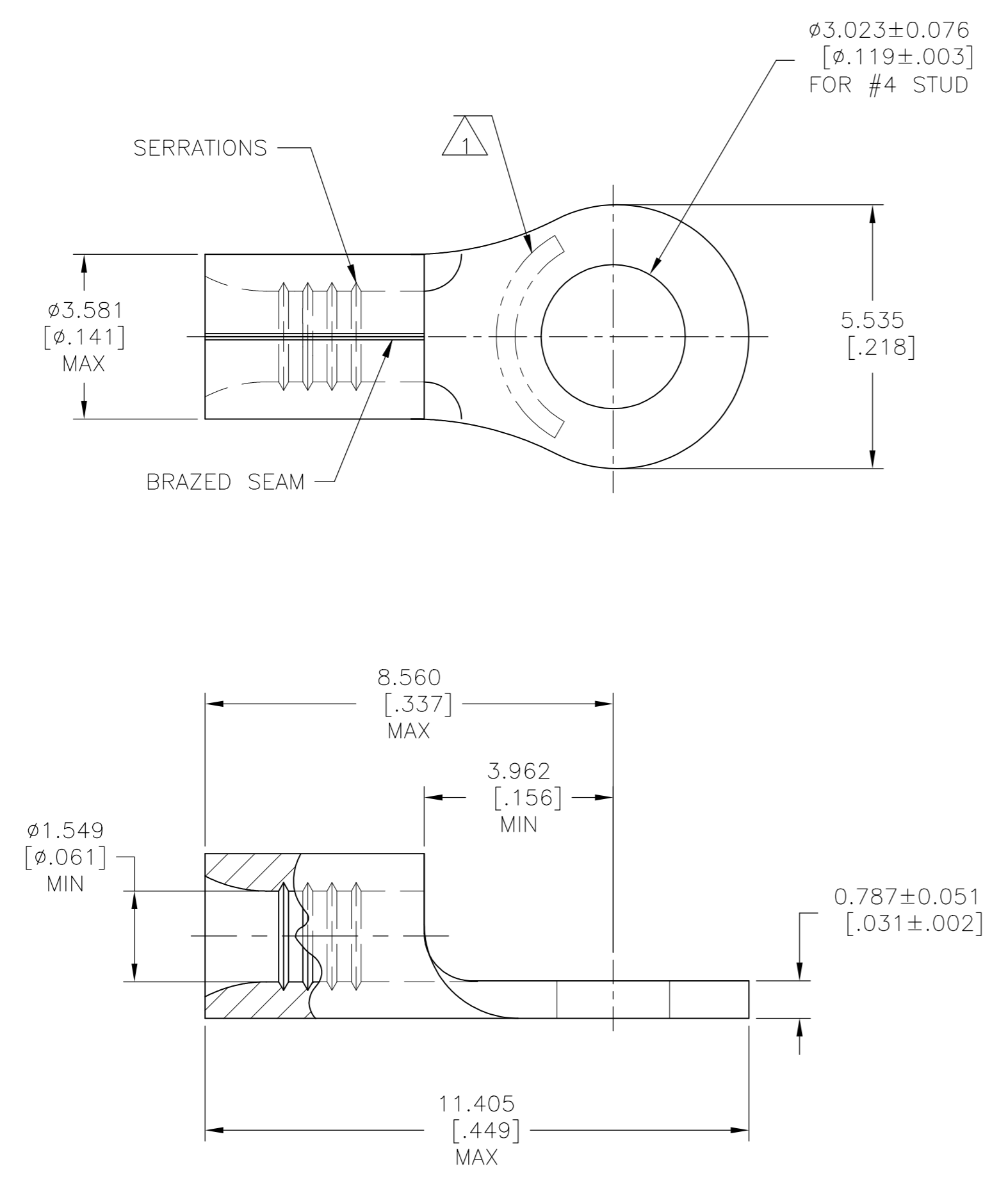


THIS DRAWING IS UNPUBLISHED. RELEASED FOR PUBLICATION  
 © COPYRIGHT - By - ALL RIGHTS RESERVED.

REVISIONS					
P	LTR	DESCRIPTION	DATE	DWN	APVD
N1		REVISED PER ECO-13-018569	28NOV2013	KH	DR
N2		REVISED PER ECO-17-008806	15FEB2018	RS	DR



**AMP**  
WIRE RANGE

22-16 AWG  
SOLID OR STRANDED

- 1 STAMP AMP 22-18\* APPROX AS SHOWN  
22-16 TERMINALS ARE STAMPED 22-18 IN ACCORDANCE WITH MILITARY SPECIFICATION SAE AS7928; COMMERCIAL WIRE RANGE IS 22-16
- 2 TIN PLATE 0.00254 [.000100] MIN EXT THK PER ASTM-B-545.
- 3 TIN LEAD PLATE 0.01016-0.02032[.000400-.000800] MIN EXT THK PER MIL-P-81728
- 4 GOLD PLATE, 0.00254[.000100] MIN EXT THK PER ASTM B488 TYPE 1, CODE C OVER NICKEL PLATE 0.00127[.000050] MIN EXT THK PER SAE AMS QQ-N-290. OVER Cu FLASH PER SAE AMS 2418.
- 5 NOTE DELETED
- 6 .000300 MIN EXT THK NICKEL PER SAE AMS QQ-N-290
- 7 COPPER PER ASTM B-152, ANNEALED
- 8 UL LISTED E13288, 22-16 AWG SOLID OR STRANDED.
- 9 CSA CERTIFIED LR7189, 22-16 AWG SOLID OR STRANDED
- 10 MILITARY P/N AND CLASS: M7928/7-2 CLASS 2
- 11 NOTE DELETED
- 12 NOTE DELETED
- 13 UL 486 A-B OR SAE AS7928

MAX TEMP	FINISH	QTY	PACKAGE TYPE	PART NO.
170°C[338°F]	2	100	LOOSE PIECE, BOX	8-34104-1
170°C[338°F]	2	5000	34104 ON TAPE	2-34104-6
343°C[649°F]	6	1000	LOOSE PIECE	34104-6
260°C[500°F]	4	1000	LOOSE PIECE	34104-4
170°C[338°F]	3	1000	LOOSE PIECE	34104-2
170°C[338°F]	2	1000	LOOSE PIECE	34104

**AMP INCORPORATED**  
CUSTOMER SERVICE SYSTEMS

FOR ADDITIONAL PRODUCT INFORMATION OR COPIES OF DRAWINGS AND TECHNICAL DOCUMENTS  
 PRODUCT INFORMATION CENTER  
 1-800-522-6752

FOR APPLICATION TOOLING INFORMATION  
 TOOLING ASSISTANCE CENTER  
 1-800-722-1111

FOR ORDER ENTRY  
 1-800-526-5142

MAX RECOMMENDED OPERATING TEMPERATURE:  
SEE TABLE

VOLTAGE RATING:  
N/A

CIRCULAR MIL AREA:  
0.26-1.65mm² [509-3260]  
SOLID OR STRANDED

THIS DRAWING IS A CONTROLLED DOCUMENT FOR AMP INCORPORATED. IT IS SUBJECT TO CHANGE AND THE CONTROLLING ENGINEERING ORGANIZATION SHOULD BE CONTACTED FOR THE LATEST REVISION.

THIS DRAWING IS A CONTROLLED DOCUMENT.

DIMENSIONS: mm [INCHES]

TOLERANCES UNLESS OTHERWISE SPECIFIED:  
 0 PLC ± -  
 1 PLC ± -  
 2 PLC ± -  
 3 PLC ± 0.127[.005]  
 4 PLC ± -  
 ANGLES ± -

MATERIAL: 7

FINISH: SEE TABLE

DWN: TA BRINKMAN 3-10-93  
 CHK: DA PATTERSON 3-10-93  
 APVD: JL MECKLEY 3-10-93

NAME: **STE** TE Connectivity Ltd.

PRODUCT SPEC: 13

APPLICATION SPEC: -

WEIGHT: -

CUSTOMER DRAWING

SIZE: A2  
 CAGE CODE: 00779  
 DRAWING NO: 34104

RESTRICTED TO: -

SCALE: 10:1  
 SHEET: 1 of 1  
 REV: N2

单击下面可查看定价，库存，交付和生命周期等信息

[>>TE Connectivity\(泰科\)](#)