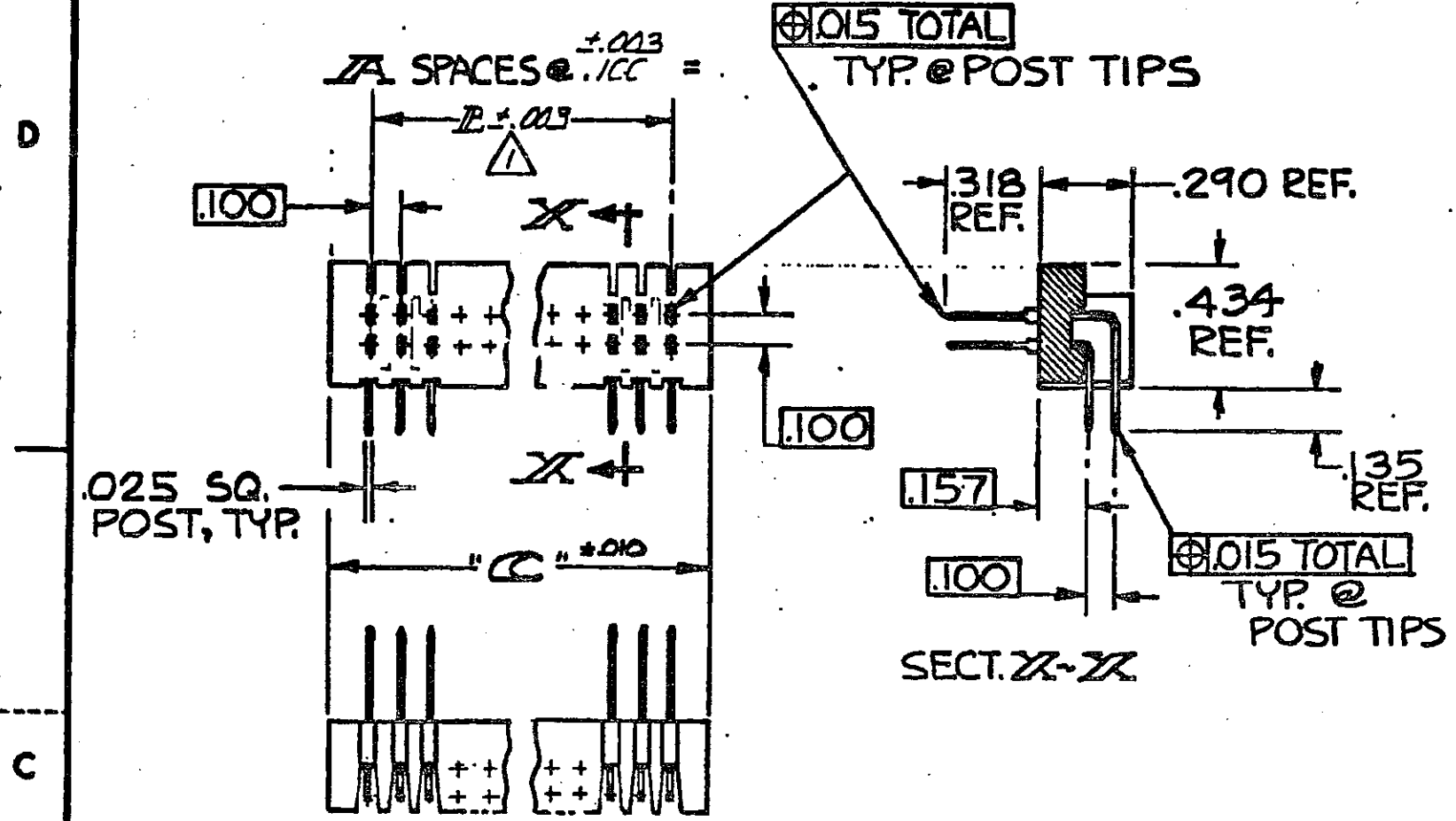


DRAWING MADE IN THIRD ANGLE PROJECTION

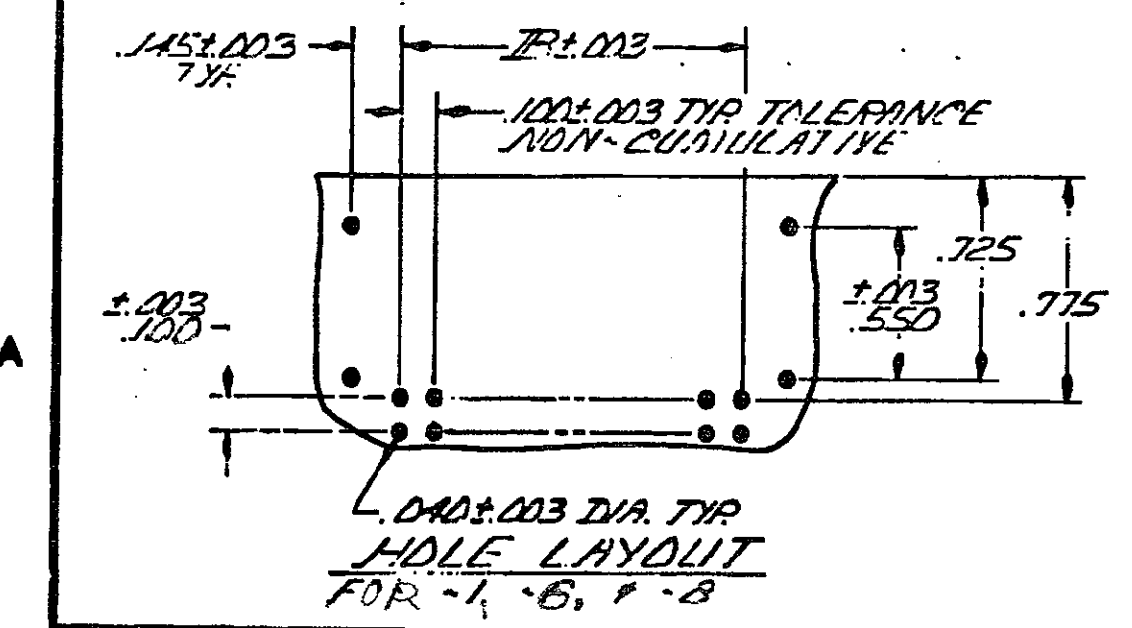
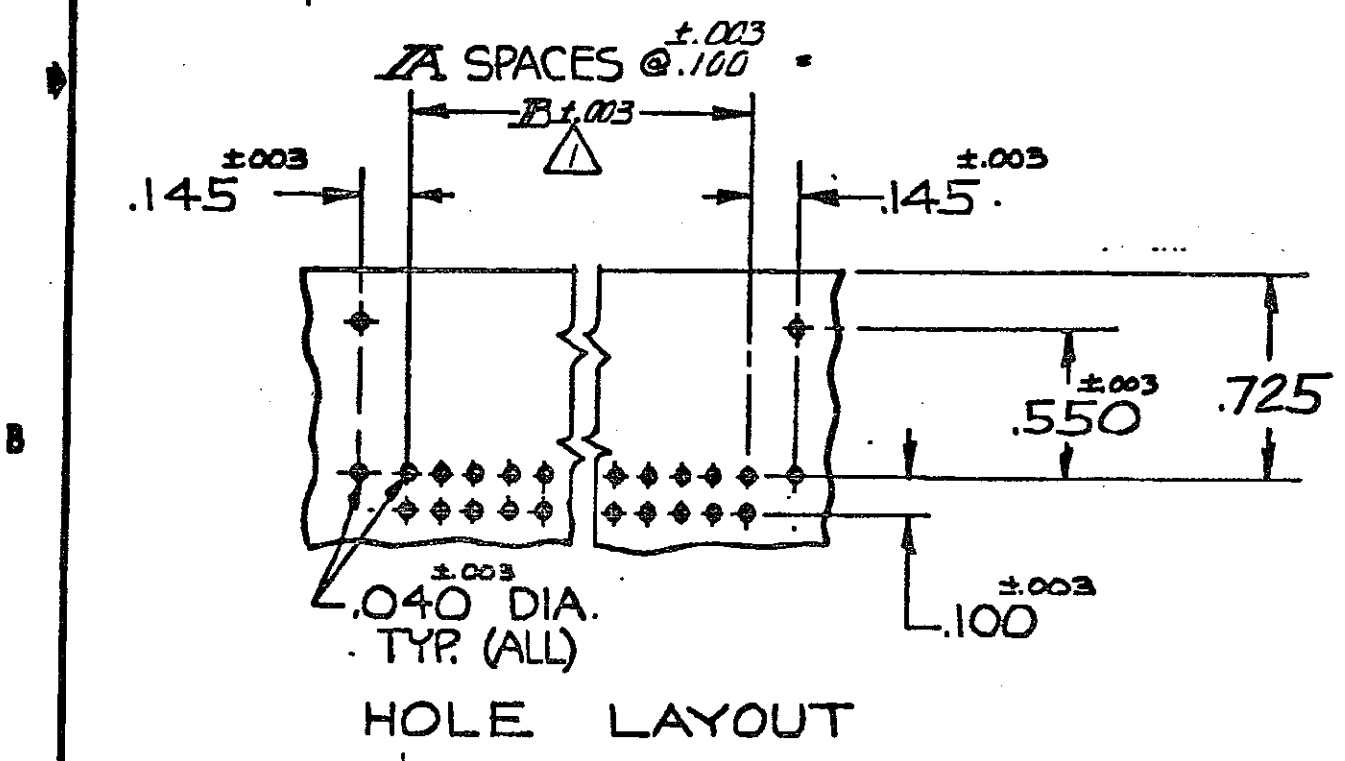
© COPYRIGHT 1981, 1982 BY AMP INCORPORATED, HARRISBURG, PA. ALL INTERNATIONAL RIGHTS RESERVED. AMP INCORPORATED PRODUCTS COVERED BY U. S. AND FOREIGN PATENTS AND/OR PATENTS PENDING.

LOG AD 39

REVISIONS						
P	F	ZONE/LTR	DESCRIPTION	DATE	DWN	APVD
		L	REVISED PER ECO-15-008006	17NOV2015	NK	MM



△ TOL. NON-CUMULATIVE.



102791-7	1.830	1.600	16	34	1-102792-1
102791-5	3.120	2.900	29	61	1-102792-0
102791-1	1.430	1.200	12	26	-9
102791-2	.530	.300	3	8	-8
102791-3	.920	.700	7	16	102792-7
102791-1	.430	.200	2	6	102792-6
1-102791-0	1.130	.900	9	20	102792-5
102791-8	2.630	2.400	24	50	102792-4
102791-6	2.130	1.900	19	40	102792-3
102791-4	1.030	.800	8	18	102792-2
102791-2	.630	.400	4	10	102792-1
USED WITH PART NUMBER	C DIM	B DIM	A SPACES	NUMBER OF POSITIONS	PART NUMBER

UNLESS OTHERWISE SPECIFIED DIMENSIONS ARE IN INCHES. TOLERANCES ON: DECIMALS ±.005 ANGLES ±	CONTRACT NO	STE TE Connectivity
	DR C. A. Braddock 3-25-88	
MATERIAL 156-FLAME RETARDANT THERMOPLASTIC, COLOR-BLACK. POSTS-COPPER ALLOY	CHKD J. Harrington 3-26-96	SIZE CODE IDENT NO DRAWING NO C 00779 102792
	APPD J. Harrington 3-26-96	
FINISH POSTS: .00050 GOLD IN CONTACT AREA, GOLD FLASH ON REMAINDER OF POST, .00050 NICKEL UNDERPLATE	DSGN APPD	SHEET 1 OF 1
	OTHER APPD	

AMP 1471-G REV 12-78

CUSTOMER DRAWING

单击下面可查看定价，库存，交付和生命周期等信息

[>>TE Connectivity\(泰科\)](#)