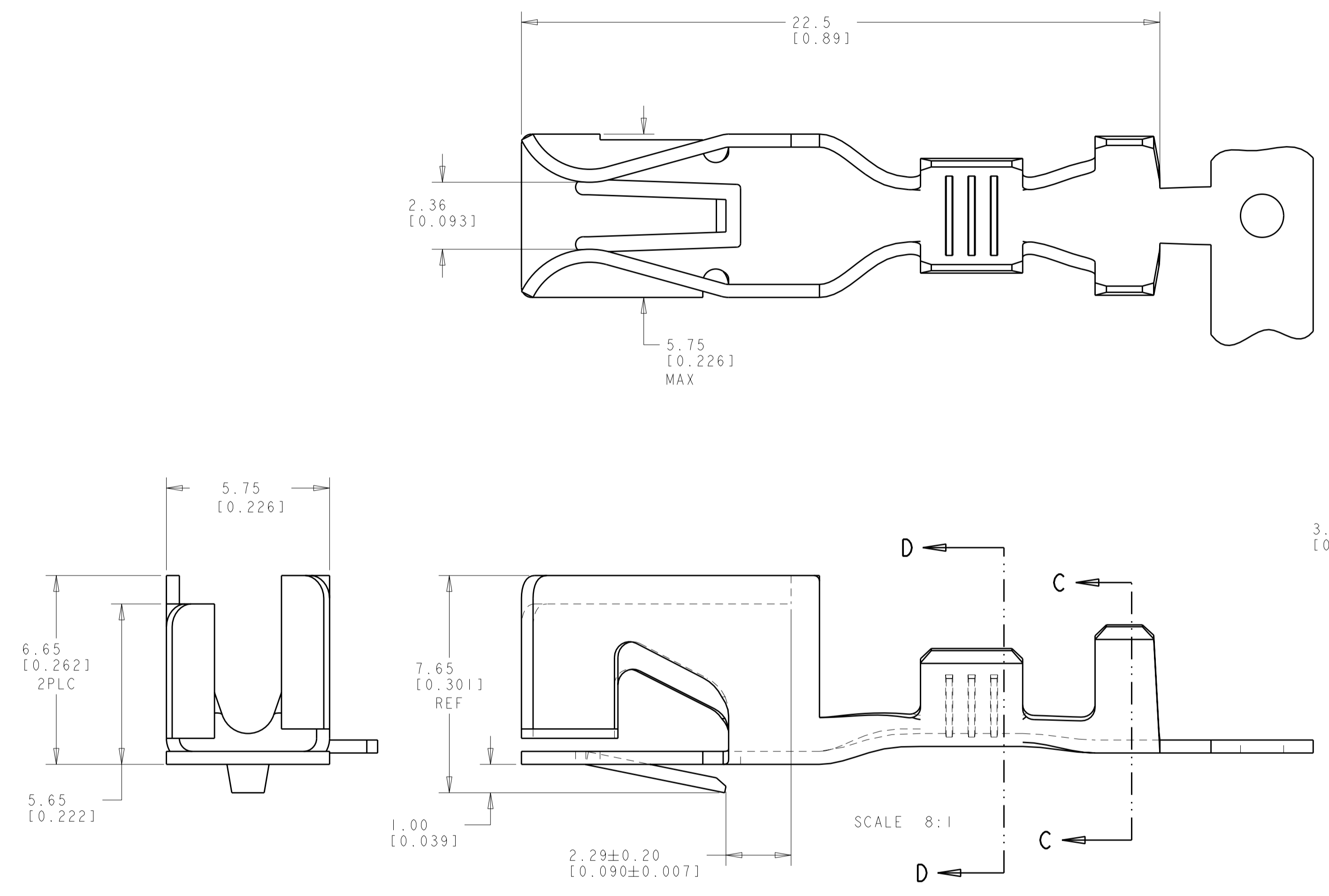
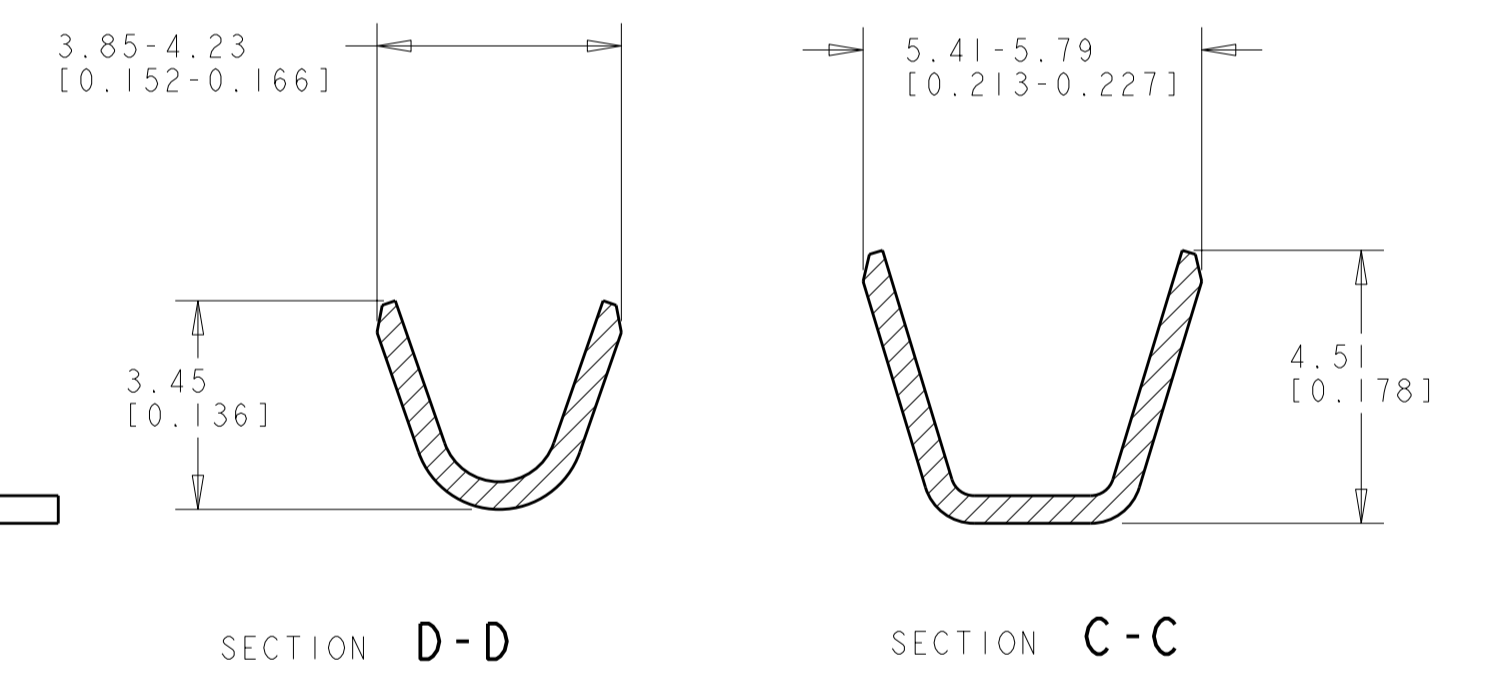


THIS DRAWING IS UNPUBLISHED. RELEASED FOR PUBLICATION 20
 © COPYRIGHT 20 BY TYCO ELECTRONICS CORPORATION. ALL RIGHTS RESERVED.

LOC		DIST		REVISIONS			
P	LTR	DESCRIPTION	DATE	DWN	APVD		
-	-	A3	REVISED PER ECR-08-008671	24APR2008	HMR	DD	



- NOTES:
- 1 MATERIAL: 0.457 THK, PHOSPHOR BRONZE
 - 2 FINISH: PRE-PLATED TIN
 - 3 CONTINUOUS STRIP ON REELS
 - 4 PREPRODUCTION - FASR REQUIRED.



F OR 0	4.57 [0.180]	7.00 [0.276]	F	2.79 [0.110]	1.75 [0.069]	2 [#18]
TYPE	WIDTH	STRIP LENGTH ±0.38 ±[0.015]	TYPE	WIDTH	±0.051 ±[0.002] HEIGHT	WIRE
INSUL BARREL CRIMP	WIRE BARREL CRIMP					

1.78 - 1.98 DIA [0.070 - 0.078] DIA		[#20 - #18] AWG		1742396-1	
INSULATION RANGE		WIRE SIZE		PART NUMBER	
THIS DRAWING IS A CONTROLLED DOCUMENT FOR TYCO ELECTRONICS CORPORATION. IT IS SUBJECT TO CHANGE AND THE CONTROLLING ENGINEERING ORGANIZATION SHOULD BE CONTACTED FOR THE LATEST REVISION.		DWN S_HILT 15MAY2007 CHK S_HORST 15MAY2007 APVD -		Tyco Electronics Harrisburg, PA 17105-3608	
DIMENSIONS: mm 		TOLERANCES UNLESS OTHERWISE SPECIFIED: 0 PLC ± 1 PLC ± 2 PLC ±0.13 3 PLC ± 4 PLC ± ANGLES ± FINISH		PRODUCT SPEC 108-2315 APPLICATION SPEC 114-13209 WEIGHT -	
MATERIAL 1 -		FINISH 2 -		NAME: TERMINAL, LAMP SOCKET, GROUND SIZE: A200779 CAGE CODE: C-1742396 DRAWING NO: 1742396 RESTRICTED TO: -	
CUSTOMER DRAWING				SCALE 8	SHEET 1 OF 1 REV A3

单击下面可查看定价，库存，交付和生命周期等信息

[>>TE Connectivity\(泰科\)](#)