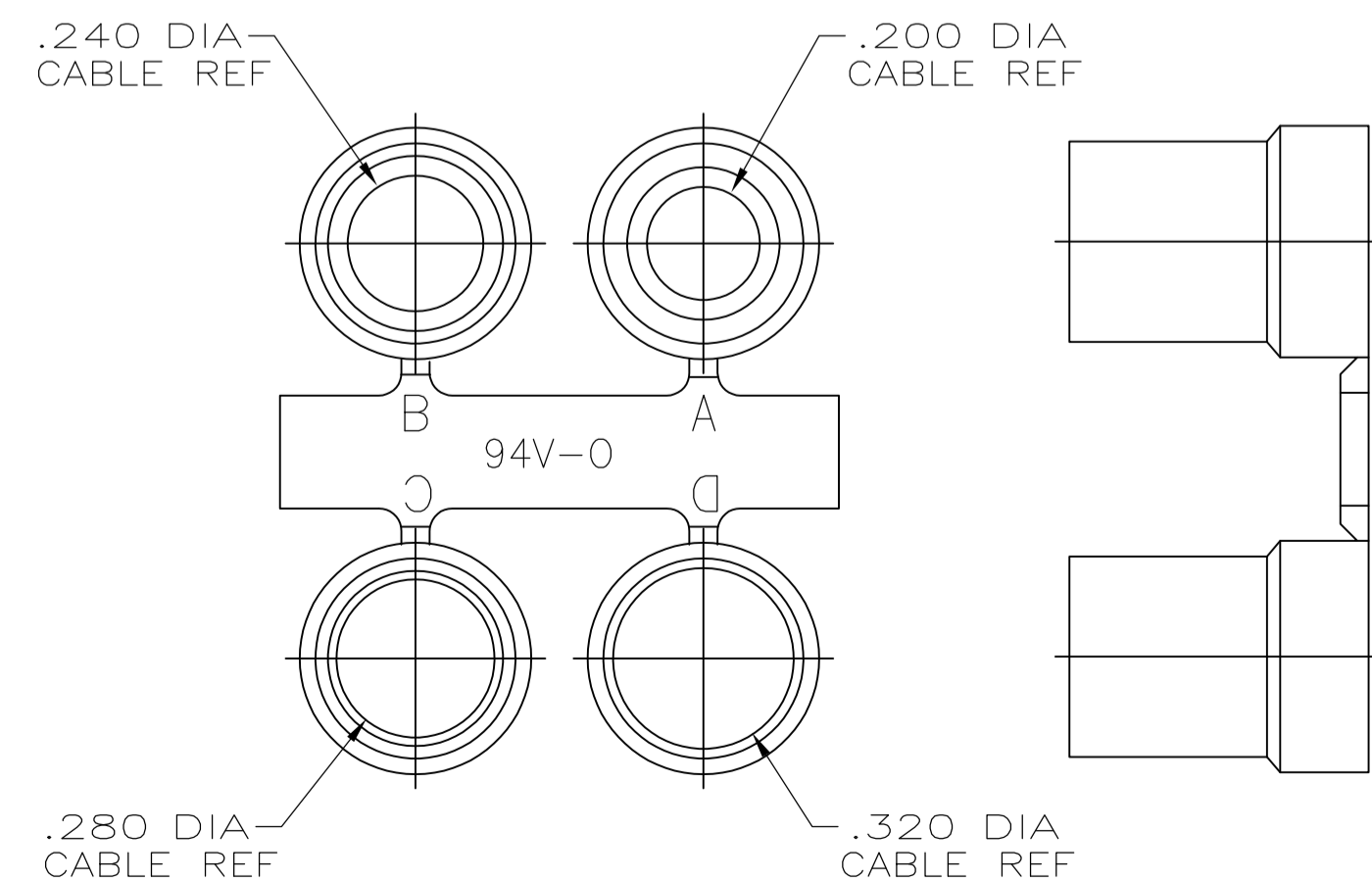
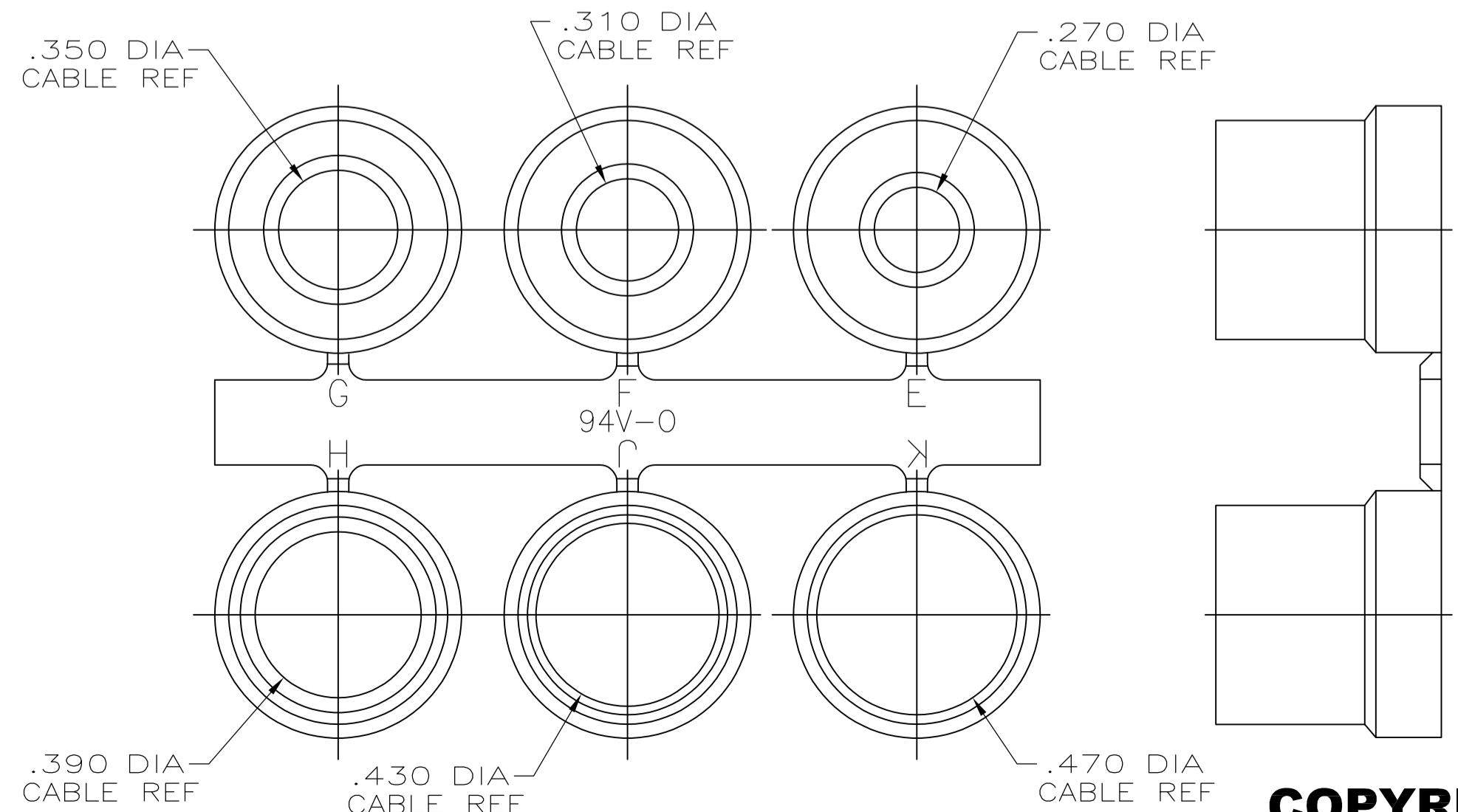


1. PARTS PACKAGED UNASSEMBLED AS A UNIT KIT.
2. CABLE CLAMP HALVES: ZINC ALLOY, FILLISTER HEAD SCREWS, HEX NUTS & MOUNTING SCREWS: STEEL
GROMMETS: FLEXIBLE PVC, UL 94V-0 RATED, COLOR: BLACK.
3. CABLE CLAMP HALVES: NICKEL OVER COPPER, FILLISTER HEAD SCREWS, HEX NUTS & MOUNTING SCREWS: ZINC PLATED .000200-.000400 THICK, CLEAR CHROMATE COATING.
4. OBSOLETE



GROMMET ASSORTMENT FOR SIZES 1 & 2 ONLY



GROMMET ASSORTMENT FOR SIZES 3, 4 & 5 ONLY

4	BULK PACK	.680	.620	2.090	1.920	1.852	3	5748676-9
	STANDARD	.900	.730	2.644	1.920	2.406	5	5748676-5
	STANDARD	.800	.620	2.738	1.920	2.500	4	5748676-4
	STANDARD	.680	.620	2.090	1.920	1.852	3	5748676-3
	STANDARD	.620	.620	1.545	1.910	1.312	2	5748676-2
	STANDARD	.550	.620	1.215	1.910	.984	1	5748676-1
	PACKAGING	E	D	C	B	A	SIZE	PART NO.

**COPYRIGHT 2005
TE CONNECTIVITY CORP
ALL RIGHTS RESERVED**

THIS DRAWING IS A CONTROLLED DOCUMENT.

DIMENSIONS: INCHES	TOLERANCES UNLESS OTHERWISE SPECIFIED:	DIN D. HENNY 8-17-05	APPROVED: M. WALMSLEY 8-17-05	NAME: KIT, CABLE CLAMP, 180 DEG EXIT, W/GROMMETS, AMPLIMITE SERIES
0. PLC ± .005	1. PLC ± .005	2. PLC ± .005	3. PLC ± .005	4. PLC ± .005
ANGLES ± .005				
MATERIAL	FINISH	WEIGHT	SIZE: A1	CAGE CODE: 00779
			DRAWING NO: 5748676	RESTRICTED TO: -
			CUSTOMER DRAWING	SCALE: 1:1 SHEET: 1 OF 1 REV: A1

STE TE Connectivity

单击下面可查看定价，库存，交付和生命周期等信息

[>>TE Connectivity\(泰科\)](#)

[>>点击查看相关商品](#)