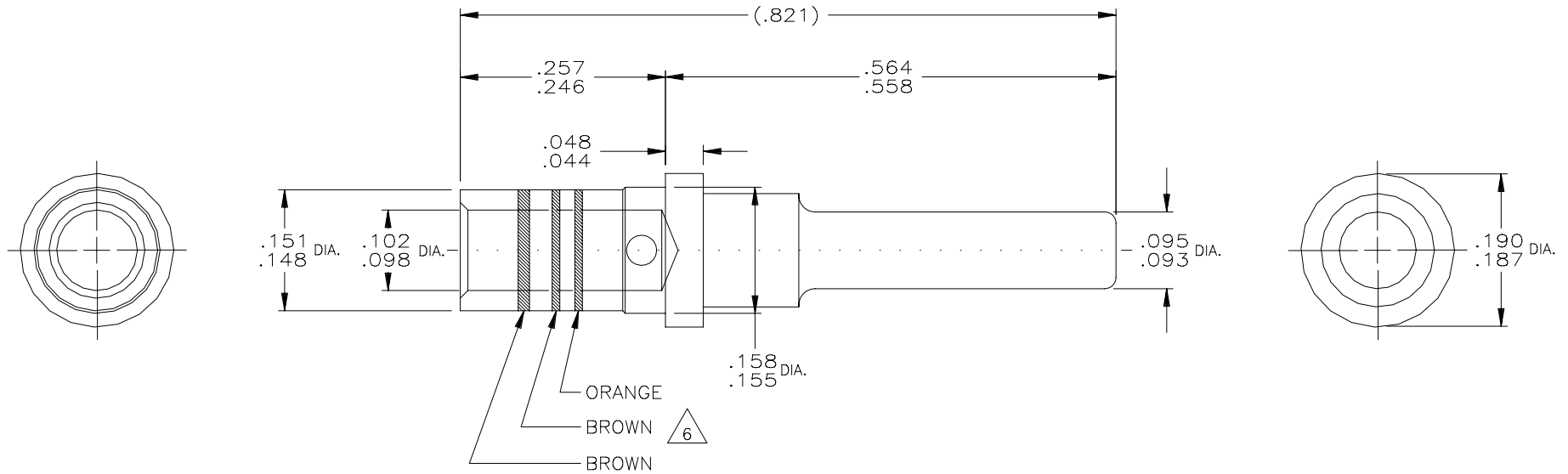


REVISIONS			
LTR	DESCRIPTION	DATE	APPROVED
C	REVISED PER ECN T-012837	8-5-86	J.B.



NOTES:

1. THIS CONTACT IS DESIGNED TO MEET THE REQUIREMENTS OF MIL-C-39029/4, SIZE 12 (BIN CODE NO. 113).
2. DIMENSIONS SHOWN ARE FOR REFERENCE ONLY.
3. RECOMMENDED WIRE STRIP LENGTH .250 - .290.
4. CRIMP TOOL RECOMMENDATION:

A - TOOL NO. M22520/1-01

B - POSITIONER NO. M22520/1-02 YELLOW

5. WEIGHT: .0028 LBS. (1,270 GR) MAX.

6. PART IS MARKED WITH COLOR STRIPES AS SHOWN OR WITH THE BIN CODE NO. IN ACCORDANCE WITH MIL-C-39029.

**If this document is printed it becomes uncontrolled.
Check with the web for latest revision.**

SPECIFICATION CONTROL DRAWING © Raychem Corporation 1986

UNLESS OTHERWISE SPECIFIED DIMENSIONS ARE IN INCHES. METRIC DIMENSIONS ARE IN BRACKETS.	DRAWN	A.A.	6-16-86	Raychem RAYCHEM CORPORATION 300 CONSTITUTION DRIVE MENLO PARK, CALIFORNIA 94025			
	CHECKED	J.B.		TITLE			
	APPROVED	J.BLAIR	6-18-86	CONTACT, PIN, SIZE 12 MTCR SERIES			
	APPROVED	J.CAMERON	6-20-86				
DECIMALS	.XXX ± [mm]			SIZE	CODE IDENT. NO.	DWG. NO.	REV
ANGLES	.X ± [mm]			C	06090	CTA-0114	C
WEIGHT	.5 lbs [g]			DO NOT SCALE THIS DRAWING		SHEET 1 OF 1	

SHEET 1
DWG. NO. CTA-0114

单击下面可查看定价，库存，交付和生命周期等信息

[>>TE Connectivity\(泰科\)](#)