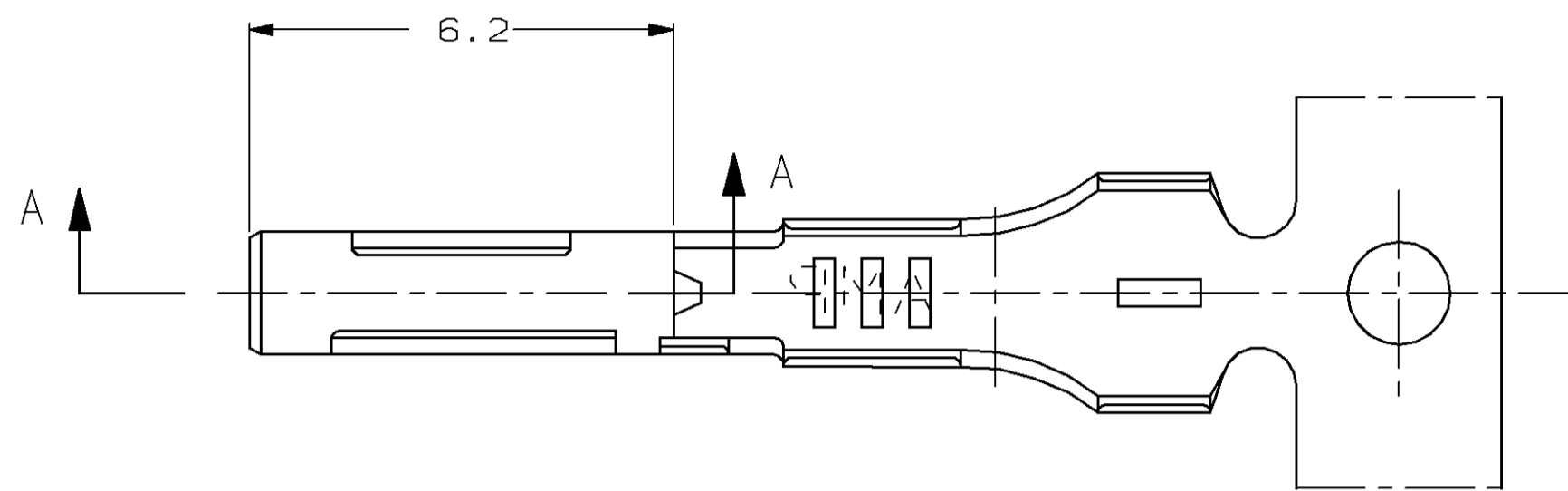
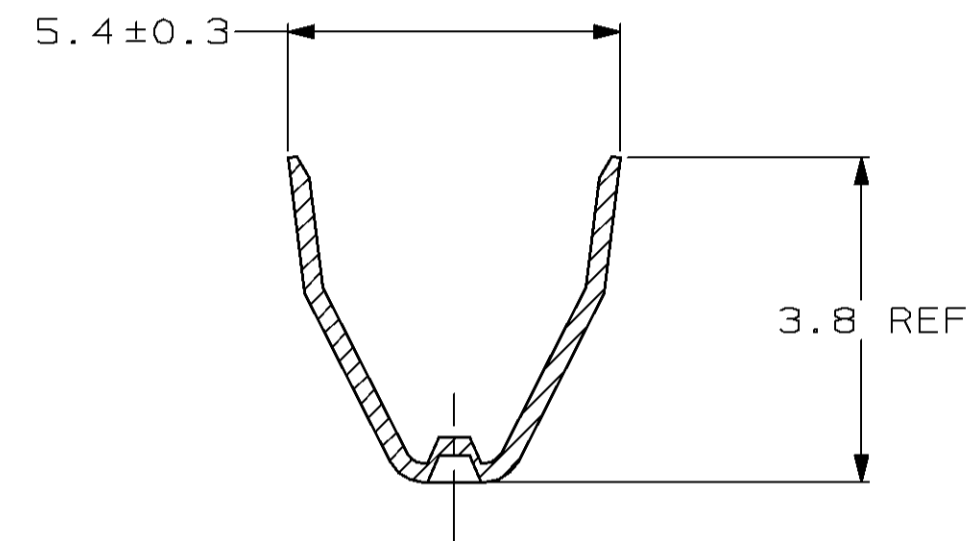


THIS DRAWING IS UNPUBLISHED. RELEASED FOR PUBLICATION  
 © COPYRIGHT 19 BY AMP INCORPORATED. ALL RIGHTS RESERVED.

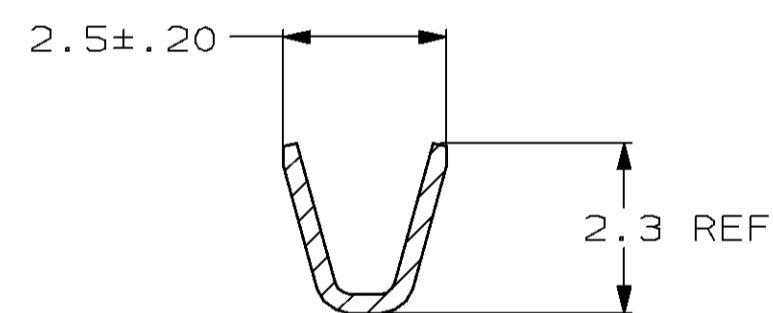
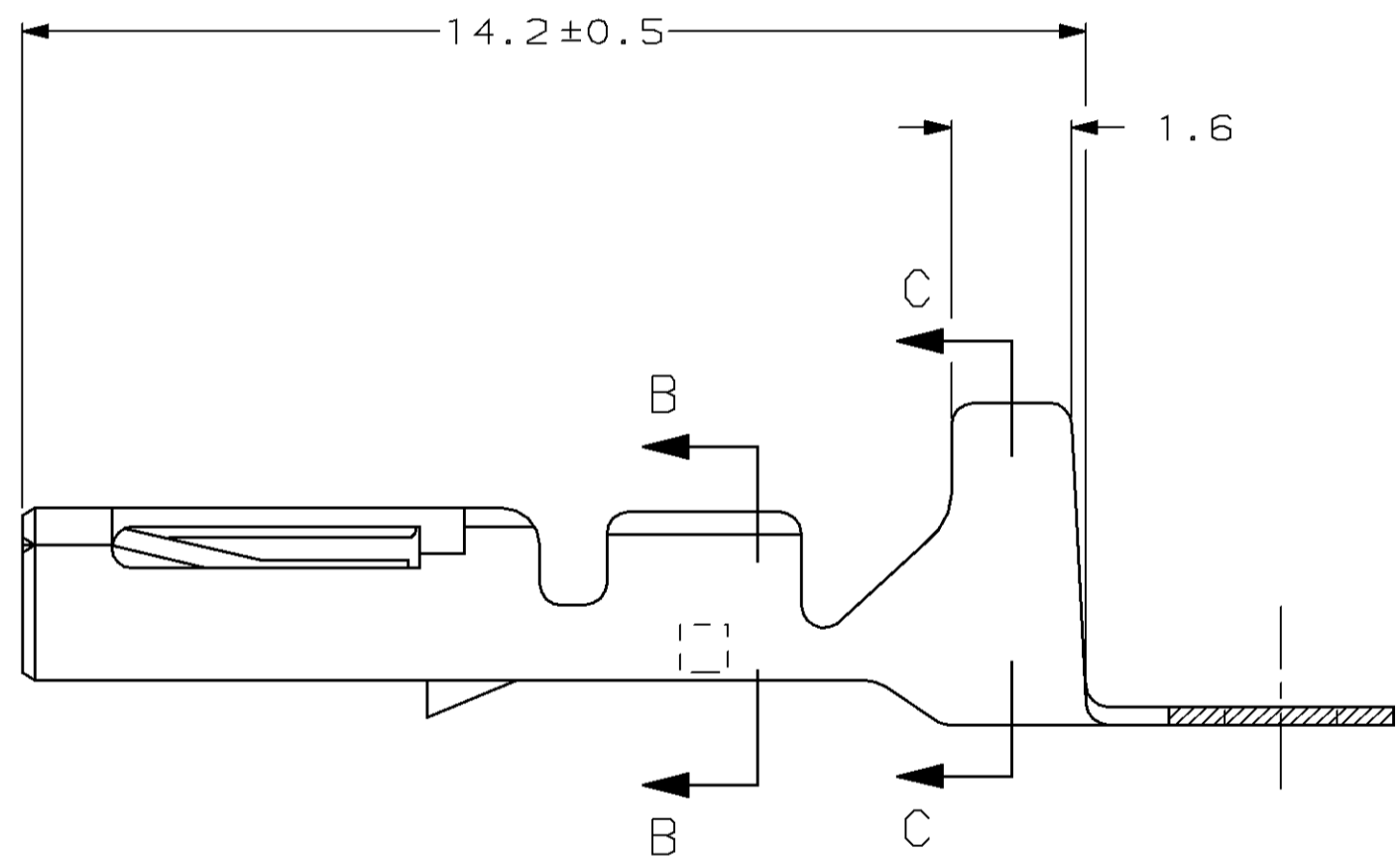
Loc		DIST		REVISIONS			
P	LTR	DESCRIPTION		DATE	DWN	APVD	
FX	55	B		EC OK80-0008-97	2-18-97	PY	SK



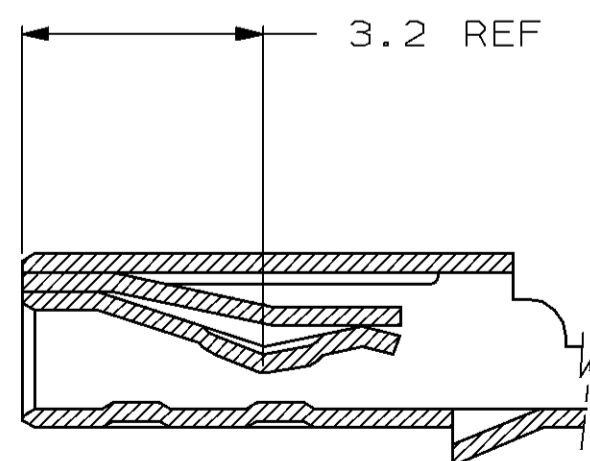
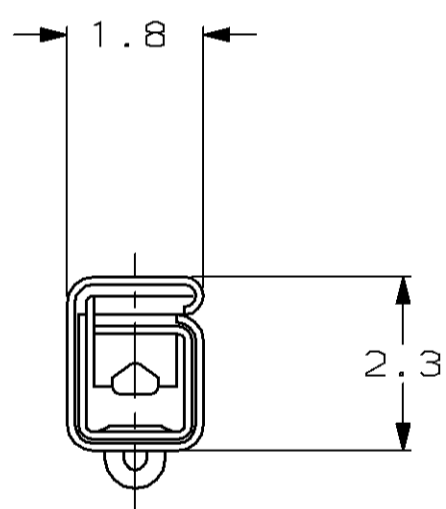
1. WIRE RANGE: 18 AWG, THIN WALL INSULATION



SECTION C-C



SECTION B-B



SECTION A-A

776181

B

A

776181-1  
PART NUMBER

THIS DRAWING IS A CONTROLLED DOCUMENT.		DWN P. YEAGER	12-18-96	<b>AMP</b> AMP Incorporated Harrisburg, PA 17105-3608
DIMENSIONS: mm		CHK S. KROEGER	12-18-96	
TOLERANCES UNLESS OTHERWISE SPECIFIED:		APVD S. KROEGER	12-18-96	NAME
0 PLC ±-		PRODUCT SPEC		.040 SERIES RECEPTACLE CONTACT
1 PLC ±-		APPLICATION SPEC		
2 PLC ±0.15		WEIGHT		SIZE
3 PLC ±-		CUSTOMER DRAWING		CAGE CODE
4 PLC ±-		SCALE 10:1		DRAWING NO
ANGLES ±-		SHEET 1 OF 1		RESTRICTED TO
FINISH PRE-TIN		REV B		

单击下面可查看定价，库存，交付和生命周期等信息

[>>TE Connectivity\(泰科\)](#)