

4

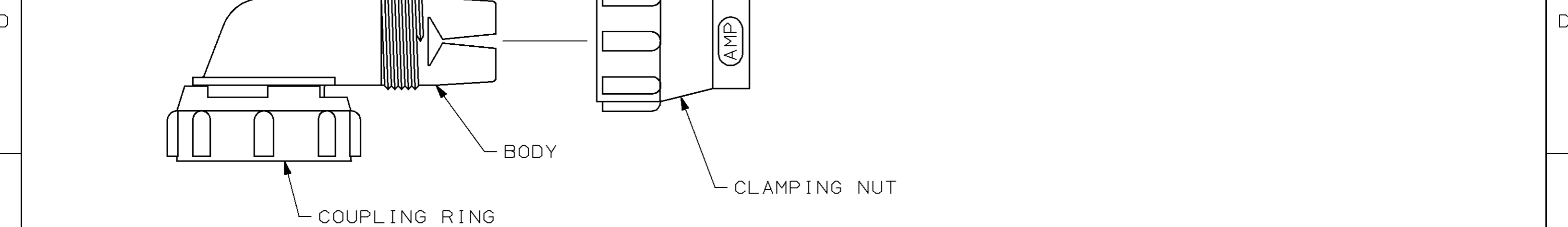
3

2

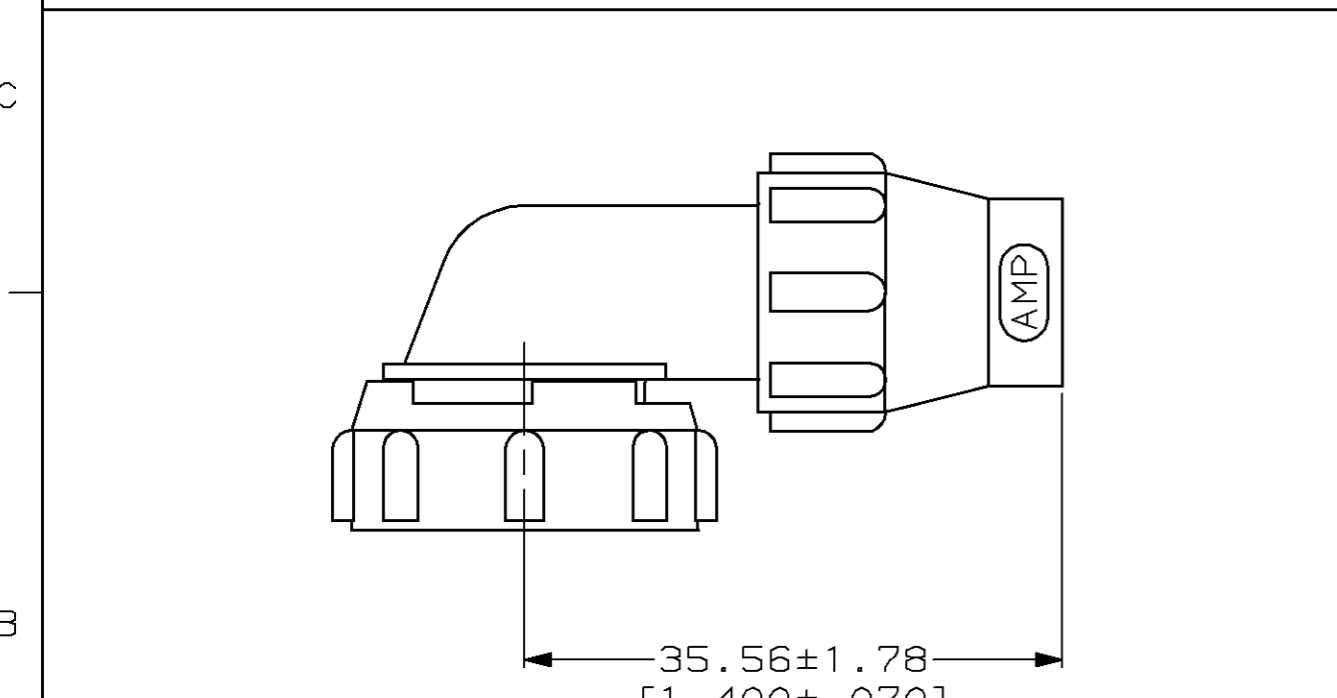
1

THIS DRAWING IS UNPUBLISHED. RELEASED FOR PUBLICATION ,19 .
 © COPYRIGHT 19 BY AMP INCORPORATED. ALL RIGHTS RESERVED.

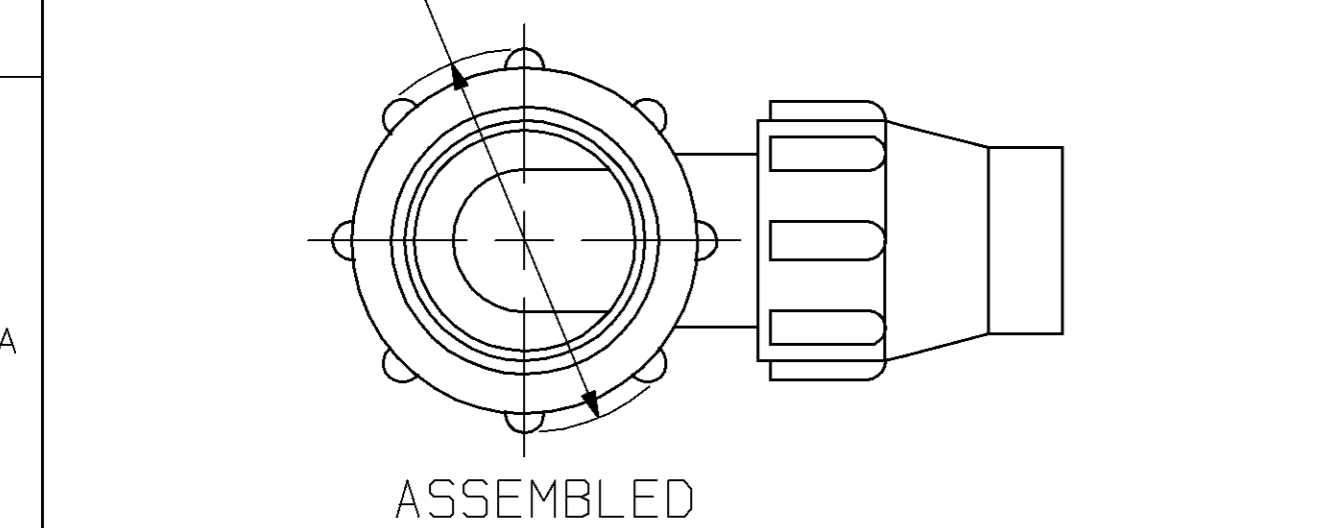
LOC	DIST	REVISIONS			
P	LTR	DESCRIPTION	DATE	DWN	APVD
FT	4	0	RLSE PER NPR 5708 WAS 98-4998-4	22 SEP 98	-



- 1. COUPLING RING, BODY AND CLAMPING NUT POLYESTER, BLACK.
- 2. MAX OUTSIDE CABLE DIAMETER 9.14 [0.360].
- 3. CLAMPING RANGE DIA 9.14 - 8.20 [0.360 - 0.323].



∅26.04 MAX
[1.025]



213982-1
PART NUMBER

THIS DRAWING IS A CONTROLLED DOCUMENT.		DWN C. OBERMAN 22 SEP 98	AMP AMP Incorporated Harrisburg, PA 17105-3608
		CHK K. DOWHOWER 23 SEP 98	
DIMENSIONS: mm [INCHES]		APVD K. DOWHOWER 23 SEP 98	NAME
TOLERANCES UNLESS OTHERWISE SPECIFIED:		PRODUCT SPEC	KIT, STRAIN RELIEF, RIGHT ANGLE, UNASSEMBLED, SIZE 13, CPC
0 PLC ±- 1 PLC ±- 2 PLC ±- 3 PLC ±- 4 PLC ±- ANGLES ±-		APPLICATION SPEC	
MATERIAL		WEIGHT -	SIZE CAGE CODE DRAWING NO RESTRICTED TO
FINISH -		A3 00779 C- 213982	
		CUSTOMER DRAWING SCALE 2:1 SHEET 1 OF 1 REV 0	

单击下面可查看定价，库存，交付和生命周期等信息

[>>TE Connectivity\(泰科\)](#)