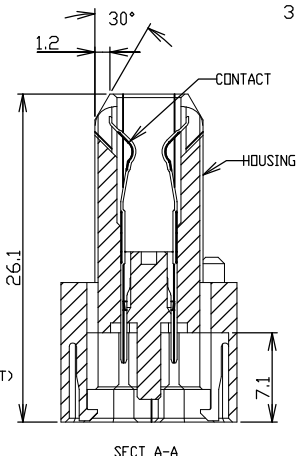
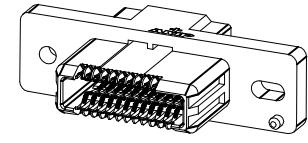
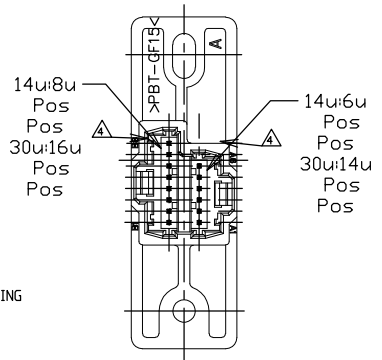
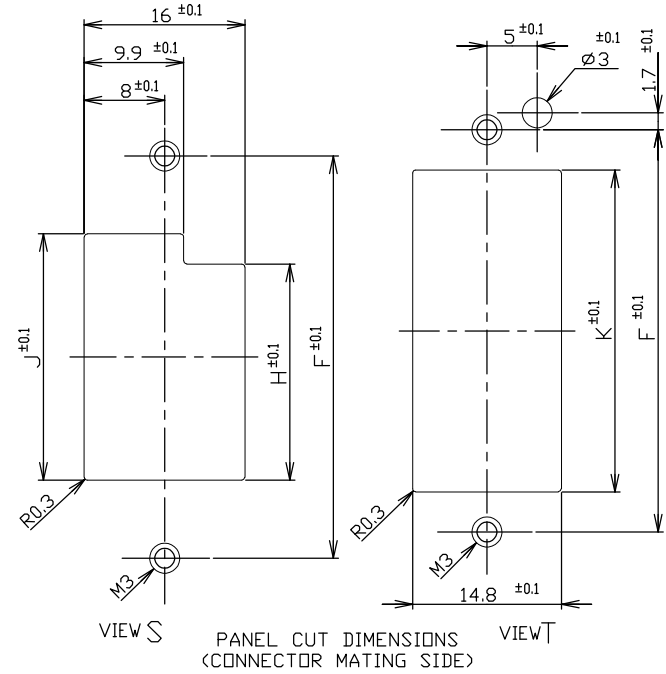
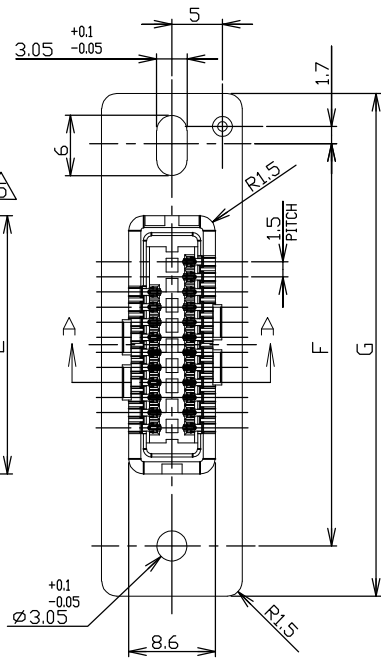
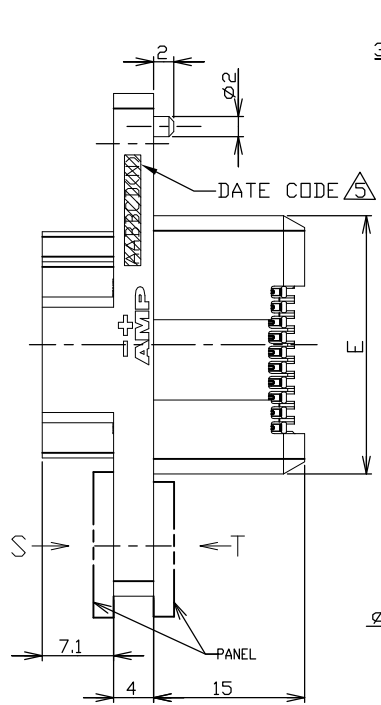
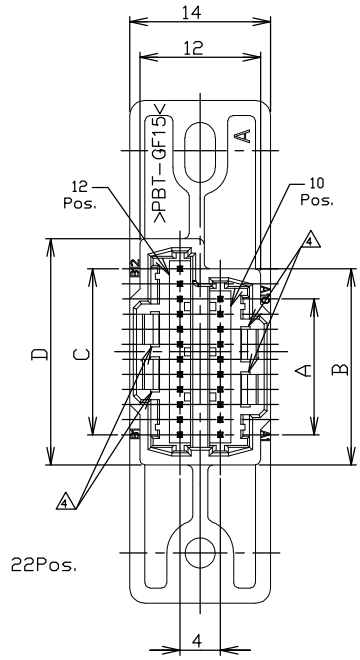


LOC FB	DIST 00	REVISIONS		
P	LTR	DESCRIPTION	DATE	DWN A.L
A1		REVISED ECR-07-028230	26NOV07	APVD S.Y



NOTES:
 ① USE WITH MT REC. CONN P/N: X-353293-X
 CRIMP HSG P/N: X-353908-X
 CRIMP CONT P/N: 353907-1
 353918-1(L/P)

MATERIAL:
 HOUSING: PBT G.F. UL 94V-0 COLOR: BLACK
 CONTACT: PHOS-BRONZE
 FINISH:
 Δ DRAWER MATING AREA: GOLD OVER NICKEL UNDERPLATE.
 Δ MINI CT MATING AREA: TIN OVER NICKEL UNDERPLATE.
 Δ LOCK: 14Pos-1LOCK/ROW, 22Pos-2LOCKS/ROW,
 30Pos-3LOCKS/ROW
 Δ LOCATION OF DATE CODE: AABBCD(N)
 (AA: YEAR, BB: WEEK, C: DAY OF WEEK, D: DAYTIME, N: NIGHT)

TOLERANCES UNLESS OTHERWISE SPECIFIED:

10 >	: ±0.2
30 > * > 10	: ±0.25
100 > * > 30	: ±0.3
ANGLE	: ±3°

THIS DRAWING IS A CONTROLLED DOCUMENT FOR TYCO ELECTRONICS CORPORATION. IT IS SUBJECT TO CHANGE AND THE CONTROLLING ENGINEERING ORGANIZATION SHOULD BE CONTACTED FOR THE LATEST REVISION.

DIMENSIONS:	TOLERANCES UNLESS OTHERWISE SPECIFIED
MM	0 PLC ±0.1
	1 PLC ±0.1
	2 PLC ±0.01
	3 PLC ±0.001
	4 PLC ±0.0001
	ANGLES ±
MATERIAL	SEE NOTE
FINISH	SEE NOTE

DWN	S.XU	31JAN03
CHK	S.YAD	31JAN03
APVD	T.SASAKI	31JAN03
PRODUCT SPEC	108-60026	
APPLICATION SPEC		
WEIGHT	SEE TABLE	
CUSTOMER DRAWING		

9.1	38	30.5	27.5	56	46	31.7	28.5	22.5	25.5	19.5	30	3-292236-0
7.7	32	24.5	21.5	50	40	25.7	22.5	16.5	19.5	13.5	22	2-292236-2
6.3	26	18.5	15.5	44	34	19.7	16.5	10.5	13.5	7.5	14	1-292236-4
WEIGHT (g)	K	J	H	G	F	E	D	C	B	A	Pos.	P/N

WIRE RANGE		INSULATION DIA	
Tyco Electronics		Tyco Electronics Corporation Shanghai, PRC	
NAME	REC ASS'Y for DC TYPE 1.5mm PITCH MINI CT DRAWER CONNECTOR		
SIZE	CAGE CODE	DRAWING NO	RESTRICTED TO
A3	00779	C=292236	
CUSTOMER DRAWING		SCALE	SHEET 1 OF 1
		REV	A1

单击下面可查看定价，库存，交付和生命周期等信息

[>>TE Connectivity\(泰科\)](#)