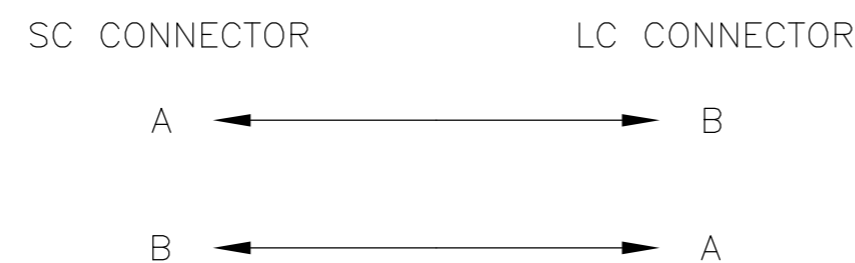
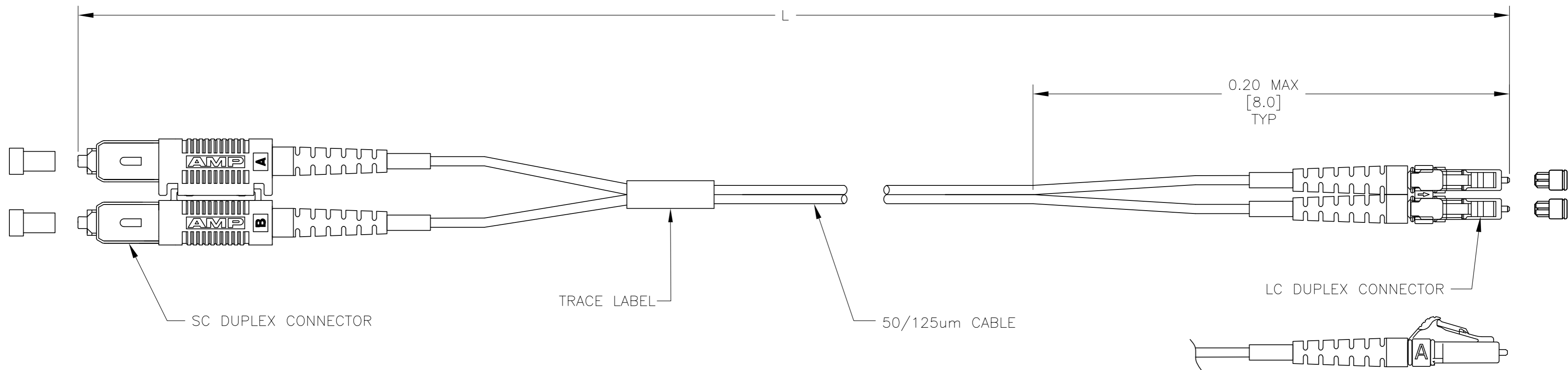


THIS DRAWING IS UNPUBLISHED. RELEASED FOR PUBLICATION  
 © COPYRIGHT - By - ALL RIGHTS RESERVED.

LOC	DIST	REVISIONS					
CE	16	P	LTR	DESCRIPTION	DATE	DWN	APVD
		B1		REVISED PER ECO-11-005139	25MAR11	RK	HMR



1. MAXIMUM INSERTION LOSS FOR SC CONNECTOR IS EQUAL TO 0.50dB PLUS CABLE ATTENUATION OF 1.50 dB/KM @ 1300nm.
2. MAXIMUM INSERTION LOSS FOR LC CONNECTOR IS EQUAL TO 0.20dB PLUS CABLE ATTENUATION OF 1.50 dB/KM @ 1300nm.
3. PRODUCT AND PROCESSING MUST MEET REQUIREMENTS OF TE CONNECTIVITY STANDARD 230-702

0.65	0.35	100.00±1.00	[3937.01±39.37]	9-6374613-9
0.59	0.29	60.00±0.60	[2362.0±24.0]	6-6374613-0
0.58	0.28	50.00±0.50	[1968.50±19.69]	5-6374613-0
0.56	0.26	40.00±0.40	[1574.80±15.75]	4-6374613-0
0.54	0.24	31.00±0.30	[1220.0±12.0]	3-6374613-3
0.50	0.20	0.40±0.03	[15.7±1.0]	3-6374613-2
0.50	0.20	1.50±0.05	[59.1±2.0]	3-6374613-1
0.55	0.25	30.00±0.30	[1181±11.8]	3-6374613-0
0.54	0.24	25.00±0.30	[984.3±11.8]	2-6374613-5
0.53	0.23	22.00±0.30	[866.0±12.0]	2-6374613-2
0.53	0.23	20.00±0.30	[787±11.8]	2-6374613-0
0.52	0.22	15.00±0.15	[590.5±6.0]	1-6374613-5
0.52	0.22	13.00±0.15	[511.8±6.0]	1-6374613-3
0.52	0.22	12.00±0.15	[472.4±6.0]	1-6374613-2
0.52	0.22	11.00±0.15	[433.1±6.0]	1-6374613-1
0.52	0.22	10.00±0.15	[393.7±6.0]	1-6374613-0
0.51	0.21	9.00±0.15	[354.3±6.0]	6374613-9
0.51	0.21	8.00±0.15	[315.0±6.0]	6374613-8
0.51	0.21	7.00±0.08	[275.6±3.0]	6374613-7
0.51	0.21	6.00±0.08	[236.2±3.0]	6374613-6
0.51	0.21	5.00±0.08	[196.9±3.0]	6374613-5
0.51	0.21	4.00±0.08	[157.5±3.0]	6374613-4
0.50	0.20	3.00±0.05	[118.1±2.0]	6374613-3
0.50	0.20	2.00±0.05	[78.7±2.0]	6374613-2
0.50	0.20	1.00±0.05	[39.4±2.0]	6374613-1
SC MAX IL (dB)	LC MAX IL (dB)	L METERS [INCHES]		PART NUMBER

THIS DRAWING IS A CONTROLLED DOCUMENT.		DWN	C.S.VASU	02 SEP 05		TE Connectivity		
DIMENSIONS: METERS[INCHES]		CHK	J.DUNCAN	02 SEP 05		CABLE ASSY, FIBER OPTIC, SC - LC DUPLEX 50/125, 2.0 mm		
TOLERANCES UNLESS OTHERWISE SPECIFIED:		APVD	J.DUNCAN	02 SEP 05		SIZE	CAGE CODE	DRAWING NO
0 PLC ± - 1 PLC ± - 2 PLC ± - 3 PLC ± - 4 PLC ± - ANGLES ± - FINISH -		PRODUCT SPEC	-			A2	00779	C=6374613
MATERIAL		WEIGHT	-		RESTRICTED TO	-		
-		CUSTOMER DRAWING		SCALE	NTS	SHEET	1 OF 1	
				REV	B1			

单击下面可查看定价，库存，交付和生命周期等信息

[>>TE Connectivity\(泰科\)](#)