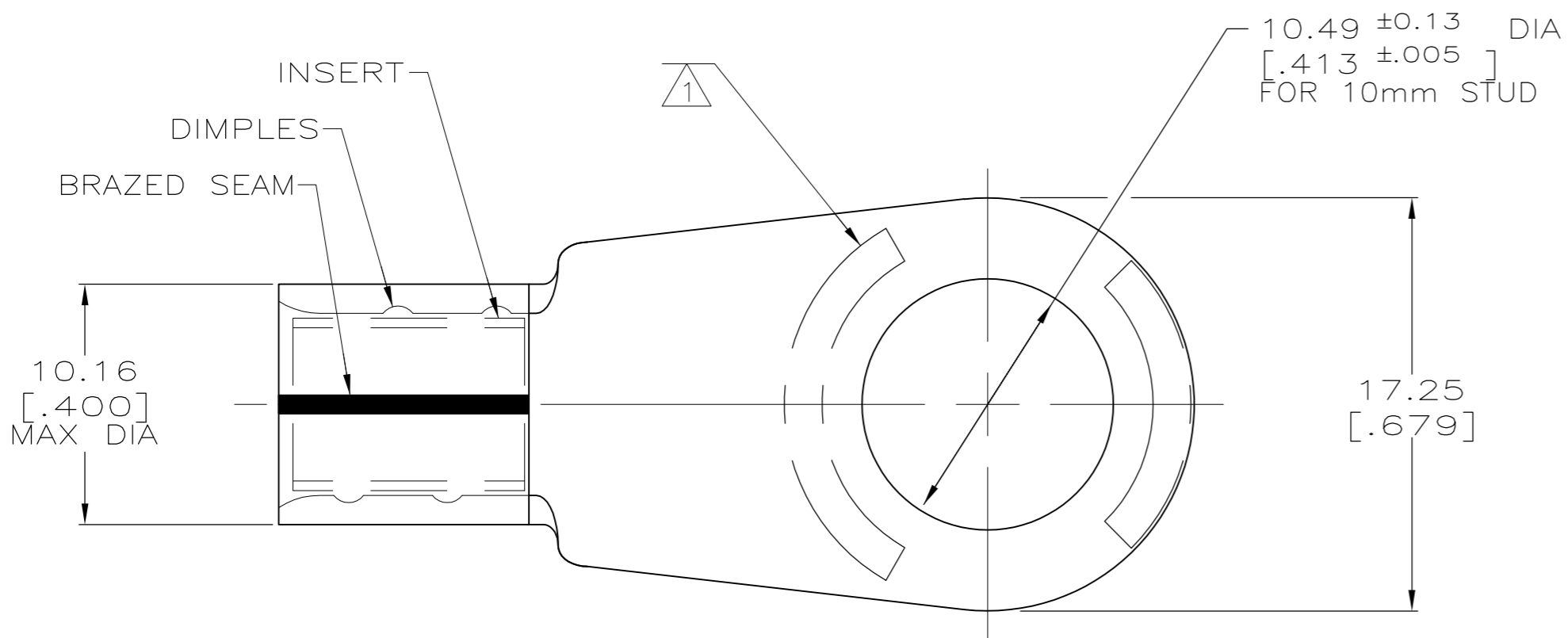
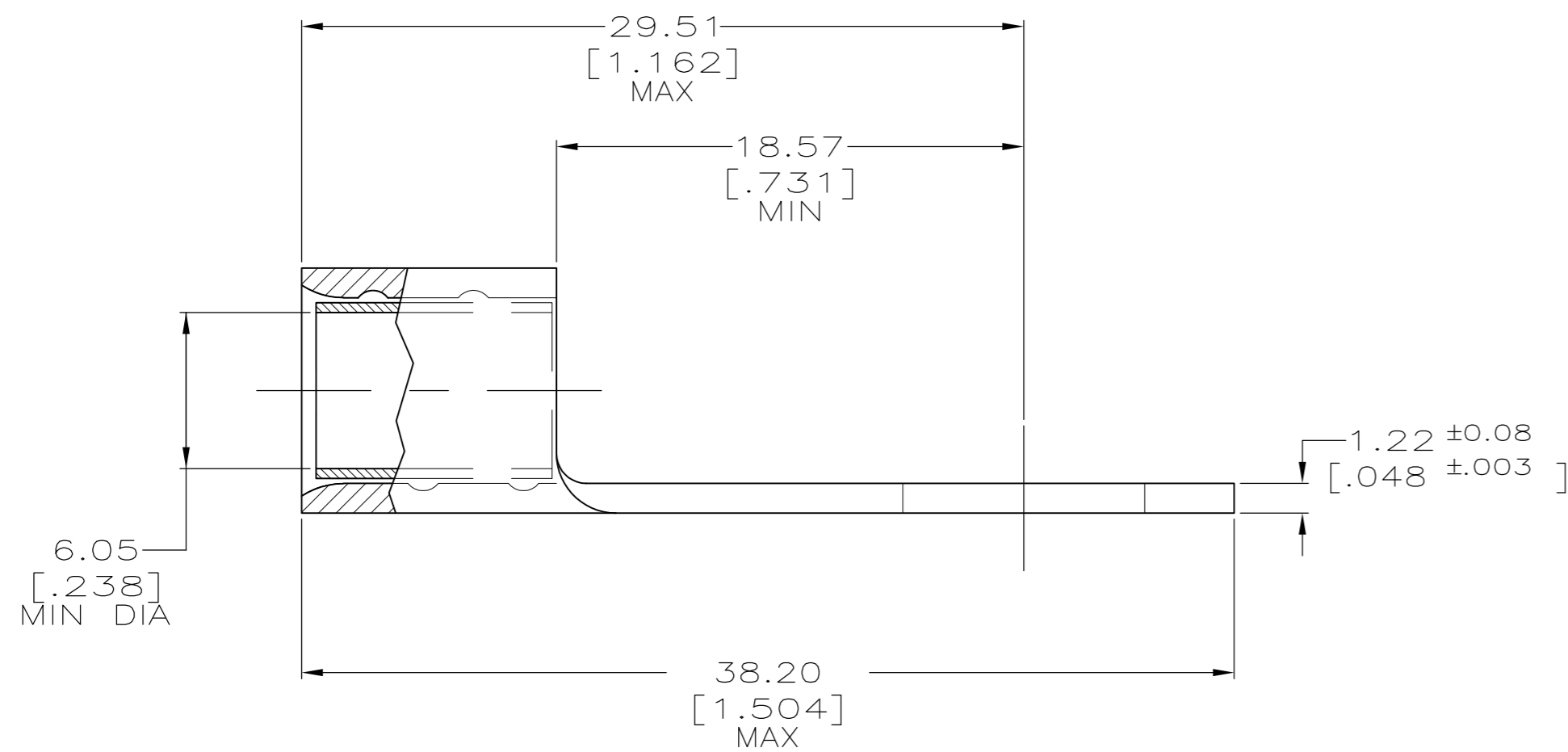


THIS DRAWING IS UNPUBLISHED. RELEASED FOR PUBLICATION  
 © COPYRIGHT - By - ALL RIGHTS RESERVED.

LOC		DIST		REVISIONS			
P	LTR	DESCRIPTION	DATE	DWN	APVD	DKS AJK	
A		REV PER ECO 13-016525	12-10-13	CT	JW		



△ STAMP AMP 6 AL90CU APPROX AS SHOWN



### AMP INCORPORATED CUSTOMER SERVICE SYSTEMS

MAX RECOMMENDED OPERATING TEMPERATURE:  
150° C MAX

FOR ADDITIONAL PRODUCT INFORMATION OR COPIES OF DRAWINGS AND TECHNICAL DOCUMENTS

PRODUCT INFORMATION CENTER  
1-800-522-6752

VOLTAGE RATING:  
NOT APPLICABLE

FOR APPLICATION TOOLING INFORMATION

TOOLING ASSISTANCE CENTER  
1-800-722-1111

WIRE CROSS SECTIONAL AREA RANGE:  
10.5-16.8mm<sup>2</sup> [20,800-33,100] CIR MILS  
SOLID OR STRANDED

FOR ORDER ENTRY

1-800-526-5142

THIS DRAWING IS A CONTROLLED DOCUMENT FOR AMP INCORPORATED. IT IS SUBJECT TO CHANGE AND THE CONTROLLING ENGINEERING ORGANIZATION SHOULD BE CONTACTED FOR THE LATEST REVISION.

**BODY:** COPPER PER ASTM B-152  
TIN PLATE 0.00254[.000100] MIN THK PER MIL-T-10727  
**INSERT:** COPPER PER ASTM B-152  
TIN PLATE 0.00254[.000100] MIN THK PER MIL-T-10727

184079-1

PART NO

THIS DRAWING IS A CONTROLLED DOCUMENT.		DWN DK SCHRUM 18JUL94		
		CHK AJ KAUFMAN 20JUL94		
DIMENSIONS: INCHES		TOLERANCES UNLESS OTHERWISE SPECIFIED:		NAME
		0 PLC ± -	TERMINAL, RING TONGUE, COPALUM TM	
		1 PLC ± -	SIZE CAGE CODE DRAWING NO RESTRICTED TO	
		2 PLC ± -	A2 00779 C-184079	
		3 PLC ± -	SCALE 4:1 SHEET 1 of 1 REV A	
		4 PLC ± -		
		ANGLES ± -		
MATERIAL SEE TABLE		FINISH SEE TABLE		CUSTOMER DRAWING

单击下面可查看定价，库存，交付和生命周期等信息

[>>TE Connectivity\(泰科\)](#)