

4

3

2

1

THIS DRAWING IS UNPUBLISHED.

RELEASED FOR PUBLICATION

-- --

© COPYRIGHT - BY TYCO ELECTRONICS CORPORATION.

ALL INTERNATIONAL RIGHTS RESERVED.

LOC

DIST

REVISIONS

AJ

16

P

LTR

DESCRIPTION

DATE

DWN

APVD

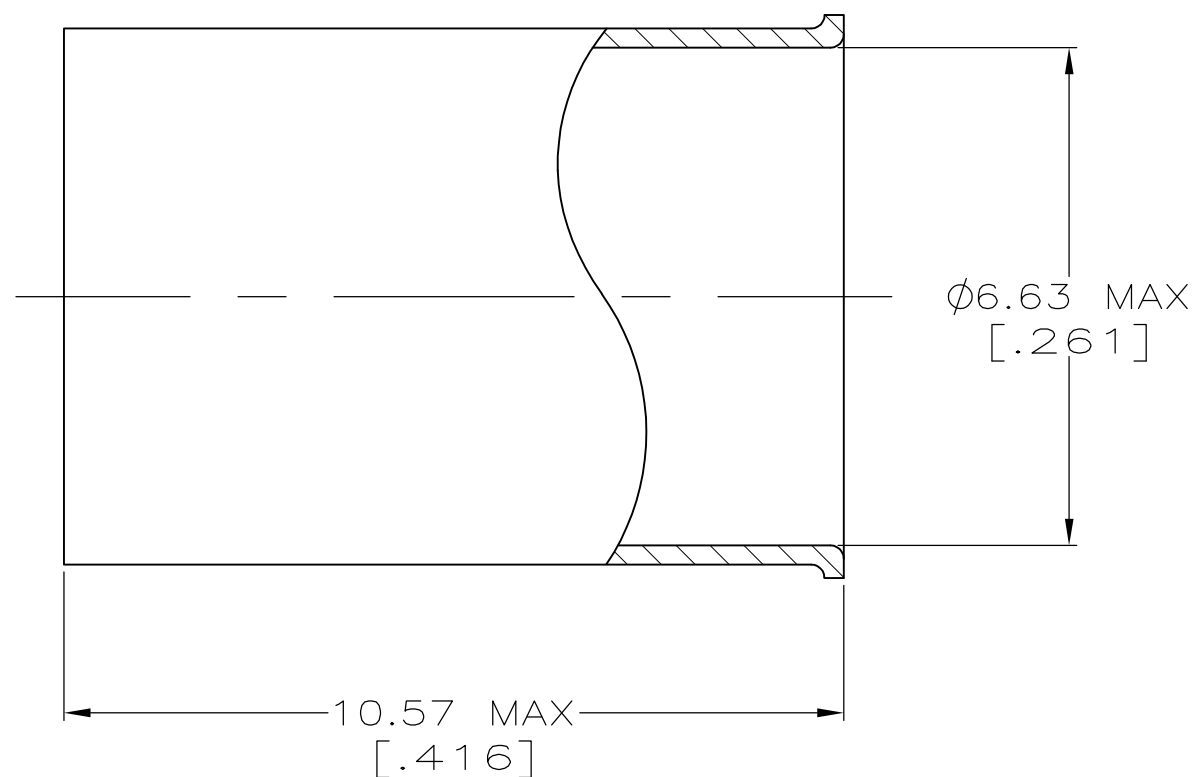
K

REVISED PER ECO-10-008433

20MAY10

HMR

KW



1. COPPER ALLOY
2. GOLD PLATE PER MIL-G-45204, $0.08\mu\text{m}$ [$.0000030$] MIN THICKNESS
3. SILVER PLATE PER QQ-S-365, $5.08\mu\text{m}$ [$.000200$] MIN THICKNESS
4. TIN-LEAD PLATE PER ASTM-B-545, $2.54\mu\text{m}$ [$.000100$] MIN THICKNESS

OBSOLETE	4	2-329041-5
	4	2-329041-3
OBSOLETE	2	2-329041-1
	3	329041
		FINISH
		PART NUMBER

THIS DRAWING IS A CONTROLLED DOCUMENT.		DWN MICHAEL E. COWHER 10NOV95	Tyco Electronics Corporation Harrisburg, PA 17105-3608													
DIMENSIONS: mm [INCHES]		CHK FRANK MORANA 10NOV95	NAME FERRULE													
TOLERANCES UNLESS OTHERWISE SPECIFIED:		APVD FRANK MORANA 10NOV95	PRODUCT SPEC -													
<table border="0"> <tr><td>0 PLC</td><td>± -</td></tr> <tr><td>1 PLC</td><td>± -</td></tr> <tr><td>2 PLC</td><td>± -</td></tr> <tr><td>3 PLC</td><td>± -</td></tr> <tr><td>4 PLC</td><td>± -</td></tr> <tr><td>ANGLES</td><td>± -</td></tr> </table>		0 PLC	± -	1 PLC	± -	2 PLC	± -	3 PLC	± -	4 PLC	± -	ANGLES	± -	APPLICATION SPEC -	SIZE A3	CAGE CODE 00779
0 PLC	± -															
1 PLC	± -															
2 PLC	± -															
3 PLC	± -															
4 PLC	± -															
ANGLES	± -															
MATERIAL SEE NOTES	FINISH SEE TABLE	WEIGHT -	DRAWING NO G-329041	RESTRICTED TO -												
CUSTOMER DRAWING			SCALE 10:1	SHEET 1 OF 1												
			REV K													

单击下面可查看定价，库存，交付和生命周期等信息

[>>TE Connectivity\(泰科\)](#)