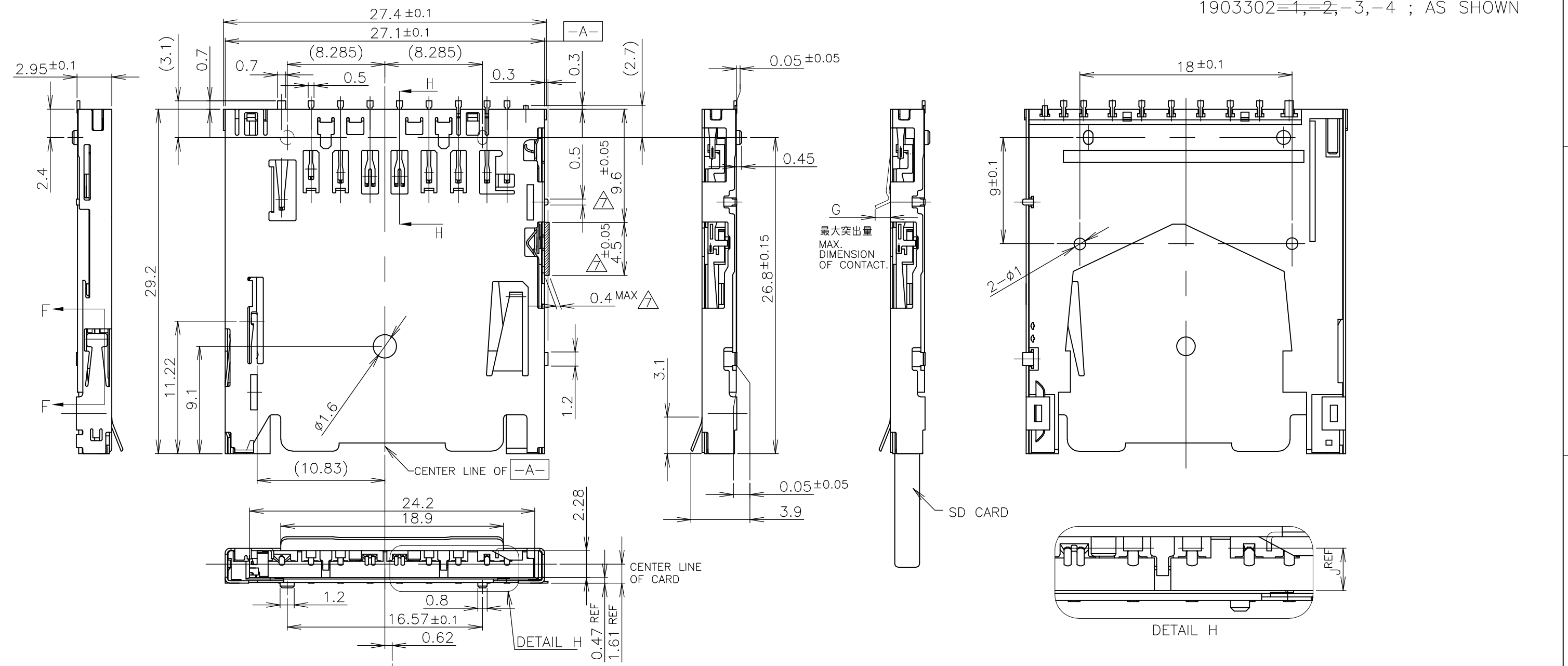


THIS DRAWING IS UNPUBLISHED. RELEASED FOR PUBLICATION OCT. 2005.
 © COPYRIGHT 2005 By - ALL RIGHTS RESERVED.

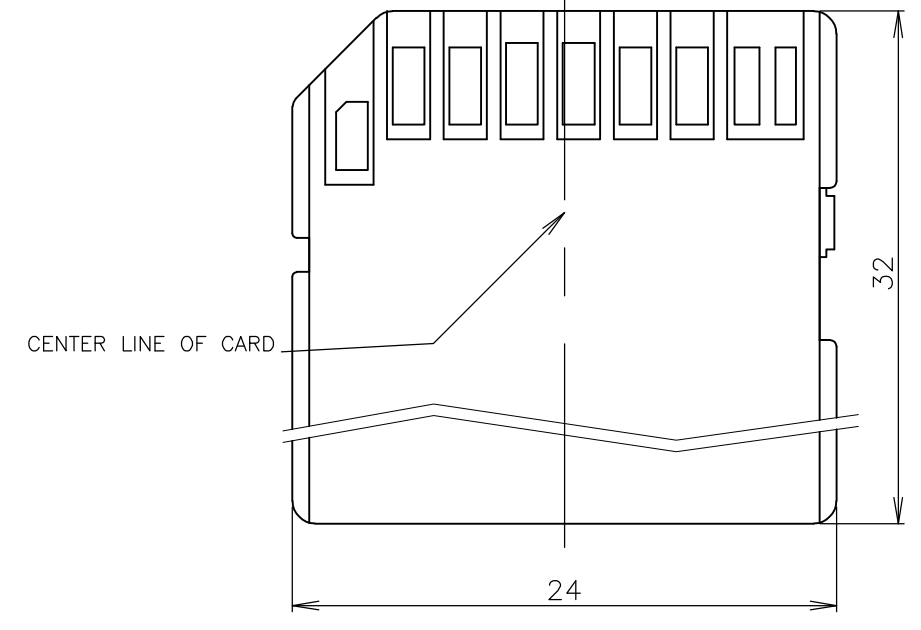
REVISIONS				
P	LTR	DESCRIPTION	DATE	APVD
G1		REVISED	23JAN2017	M.T K.K

1903302=1,=2,-3,-4 ; AS SHOWN



	DIMENSION G	
PART No.	-1, -2	-3, -4
カード正規挿入時の最大突出量 MAX. DIMENSION OF CONTACT	0.4MAX.	0.7MAX.
カード逆挿し時の最大突出量 MAX. DIMENSION OF CONTACT	1.3MAX.	1.6MAX.

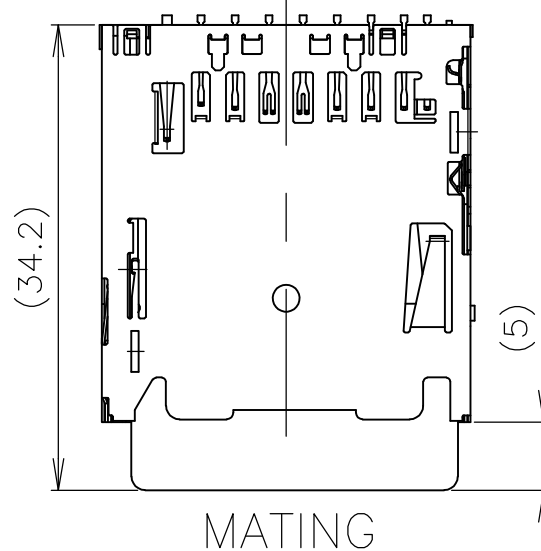
OBSOLETE	2.2	110°±1°	1903302-4
		93°±1°	1903302-3
OBSOLETE	1.8	110°±1°	1903302-2
		93°±1°	1903302-1
	J	HOOK SPRING ANGLE	PART NUMBER



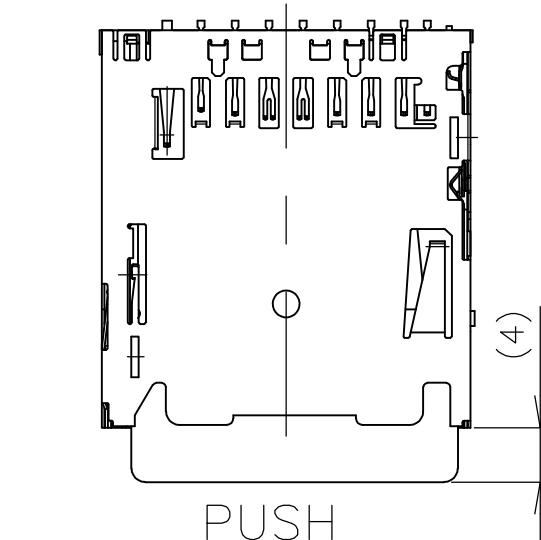
THIS DRAWING IS A CONTROLLED DOCUMENT.		DWN Y.OKOSHI 31OCT2005	STE TE Connectivity	
DIMENSIONS: 単位: 耗 mm		CHK Y.UCHIKAWA 01NOV2005		
TOLERANCES UNLESS OTHERWISE SPECIFIED: 一般公差		APVD T.KUSUHARA 01NOV2005	NAME 名称	
0 PLC ± 0.3		PRODUCT SPEC 製品規格	SD MEMORY CARD CONNECTOR	
1 PLC ± 0.3		108-78220-2	PUSH PUSH TYPE	
2 PLC ± 0.3		APPLICATION SPEC 取付適用規格	REVERSE H0	
3 PLC ± 0.3		WEIGHT 2.05g	SIZE A3	CAGE CODE 00779
4 PLC ± 0.3		CUSTOMER DRAWING	DRAWING NO 番号 G-1903302	RESTRICTED TO
ANGLES ± 3°			SCALE 尺度 NTS	SHEET 1 OF 4
FINISH 仕上				REV G1

P	LTR	DESCRIPTION	DATE	DWN	APVD
-	-	SEE SHEET 1	-	-	-

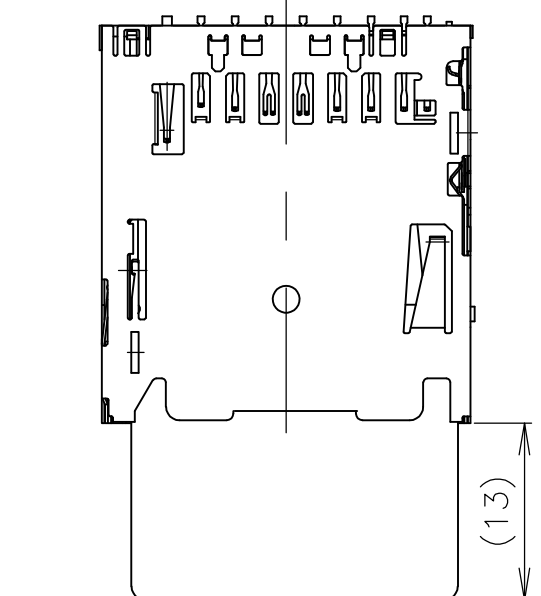
1903302=1,=2,-3,-4 ; AS SHOWN



MATING



PUSH

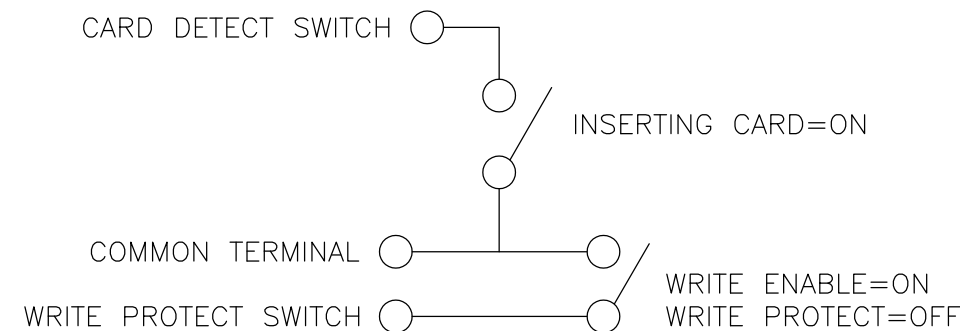


EJECT

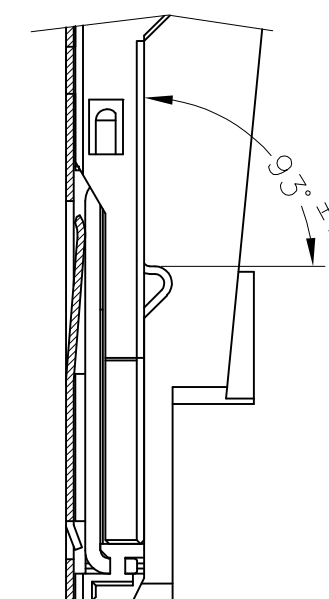
- ① カード認識スイッチ用
- ② コモン端子用
- ③ ライトプロテクトスイッチ用
- 4 カード挿入時の接触の順番
PIN #3,4 → PIN #2,5,6,7,8,9
カード認識スイッチ ← PIN #1 ←
- ⑤ スイッチの回路図
- 6 本製品は浸漬による洗浄は行わないこと。
- ⑦ 部品実装禁止エリア
- 8 コプラナリティは、0.1mm以下。
- 9 材料
ハウジング：LCP樹脂、UL94V-0、黒色
スライダー：LCP樹脂、UL94V-0、NATURAL
コンタクト：銅合金
シェル：銅合金 (t=0.2)
- 10 仕上げ
コンタクト：接点部：Ni下地めっき 2~4μm、Auめっき0.2~0.5μm。
 タイン：Snめっき 2~4μm。(無光沢)
 タイン：Auめっき 0.05~0.13μm。(コモン端子)
シェル：Cu 0.5μm.MIN. Snめっき(前めっき リフロー処理) 1μm. MIN.
- 11 適合基板厚 0.8±0.1mm
- 12 サンプルを実装して不具合の有無を確認して下さい。
- 13 対応カード：SDAの規格に準拠したSDカード

- ① FOR CARD DETECT SWITCH
- ② FOR COMMON TERMINAL
- ③ FOR WRITE PROTECT SWITCH
- 4 THE SEQUENCE OF CONTACT DURING CARD INSERTION
PIN #3,4 → PIN #2,5,6,7,8,9
CARD DETECT SWITCH ← PIN #1 ←
- ⑤ CIRCUIT DRAWING OF SWITCH
- 6 DON'T WASH BY IMMERSING THE CONNECTOR IN FLUID
- ⑦ COMPONENT PROHIBITION AREA
- 8 COPLANARITY IS 0.1 MAX.
- 9 MATERIAL
HOUSING: LCP, UL94V-0, BLACK
SLIDER: LCP, UL94V-0, NATURAL
CONTACT: COPPER ALLOY
SHELL: COPPER ALLOY (t=0.2)
- 10 FINISH
CONTACT: CONTACT AREA: Ni UNDER PLATING 2~4um. Au PLATING 0.2~0.5um.
 TINE: Sn PLATING 2~4um. (NON LUSTER)
 TINE: Au PLATING 0.05~0.13um. (COMMON TERMINAL)
SHELL: Cu 0.5um. MIN. Sn PLATING (PRE-TIN REFLOW) 1um. MIN.
- 11 APPLICABLE BOARD THICKNESS :0.8±0.1mm
- 12 PLEASE MOUNT THE SAMPLE AND CONFIRM THE PRESENCE OF TROUBLE.
- 13 ADAPTABLE CARD : SD CARD IN ACCORDANCE WITH STANDARD OF SDA.

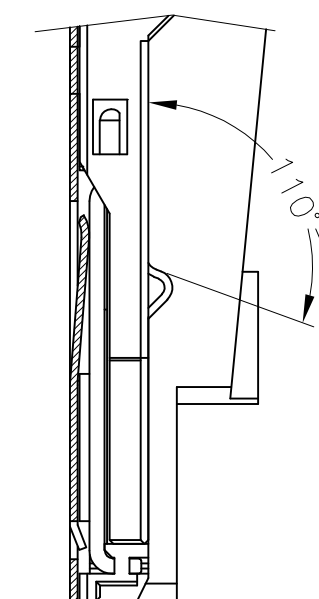
⑤ CIRCUIT DRAWING OF SWITCH



ANGLE OF HOOK SPRING



ANGLE OF HOOK SPRING UNIT.
=4,-3 : AS SHOWN



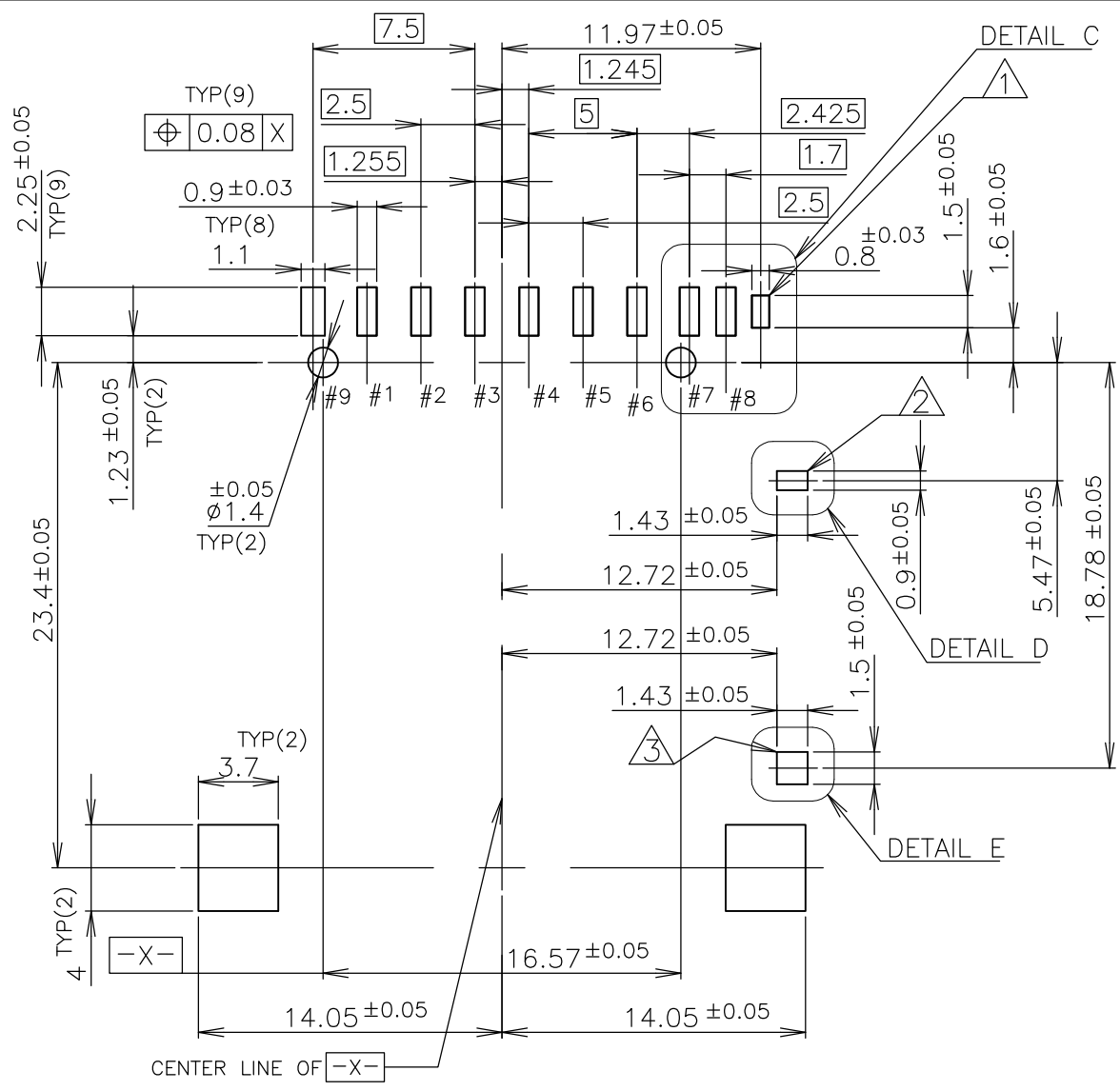
ANGLE OF HOOK SPRING UNIT.
=2,-4 : AS SHOWN

F-F

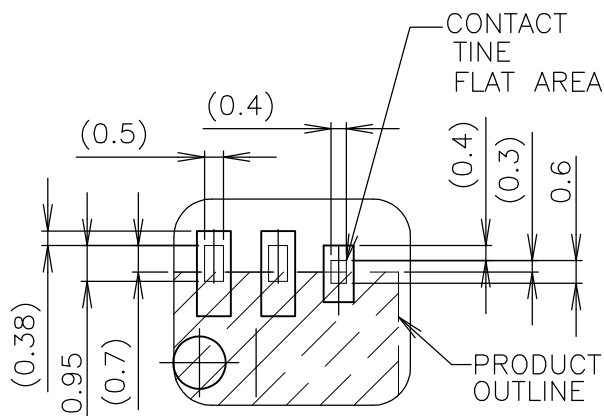
THIS DRAWING IS A CONTROLLED DOCUMENT.		DWN	TE Connectivity SD MEMORY CARD CONNECTOR PUSH PUSH TYPE REVERSE H0															
DIMENSIONS: 単位: 耗 mm		CHK				NAME 名称												
TOLERANCES UNLESS OTHERWISE SPECIFIED: 一般公差		APVD				PRODUCT SPEC 製品規格												
<table border="1"> <tr><td>0 PLC</td><td>± 0.3</td></tr> <tr><td>1 PLC</td><td>± 0.3</td></tr> <tr><td>2 PLC</td><td>± 0.3</td></tr> <tr><td>3 PLC</td><td>± 0.3</td></tr> <tr><td>4 PLC</td><td>± 0.3</td></tr> <tr><td>ANGLES</td><td>± 3'</td></tr> </table>		0 PLC				± 0.3	1 PLC	± 0.3	2 PLC	± 0.3	3 PLC	± 0.3	4 PLC	± 0.3	ANGLES	± 3'	APPLICATION SPEC 取付適用規格	SIZE
0 PLC	± 0.3																	
1 PLC	± 0.3																	
2 PLC	± 0.3																	
3 PLC	± 0.3																	
4 PLC	± 0.3																	
ANGLES	± 3'																	
MATERIAL 材料	FINISH 仕上	WEIGHT	A300779		G-1903302													
CUSTOMER DRAWING			SCALE 尺度	NTS	SHEET 2 OF 4	REV G1												

THIS DRAWING IS UNPUBLISHED. RELEASED FOR PUBLICATION OCT. 2005.
 © COPYRIGHT 2005 By - ALL RIGHTS RESERVED.

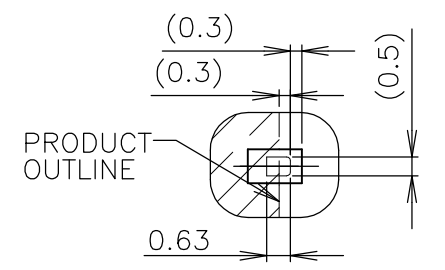
REVISIONS					
変更					
P	LTR	DESCRIPTION	DATE	DWN	APVD
-	-	SEE SHEET 1	-	-	-



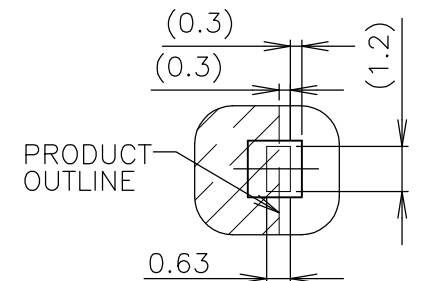
PCB PATTERN LAYOUT(REFERENCE)
 (VIEW FROM CONNECTOR MOUNT SIDE)



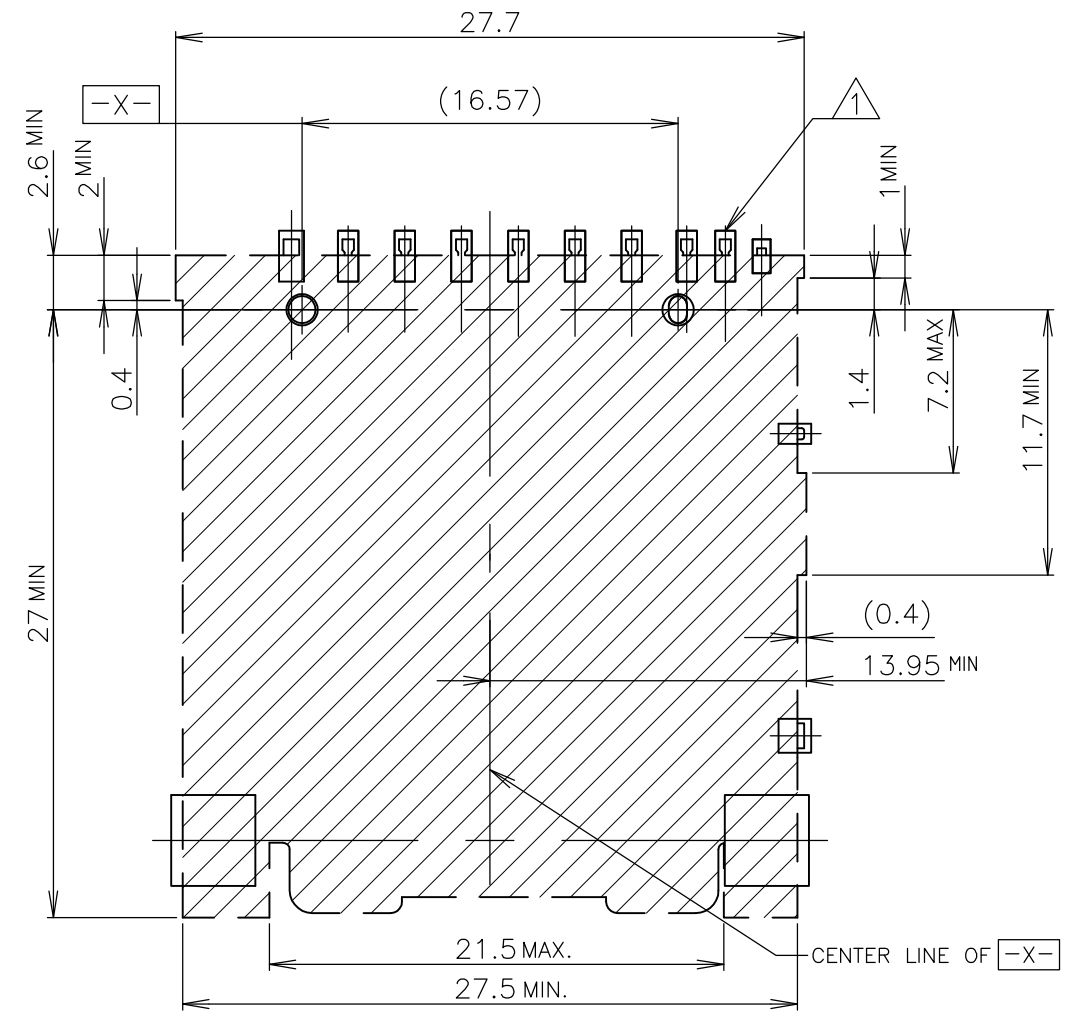
DETAIL C (SCALE 5:1)



DETAIL D (SCALE 5:1)

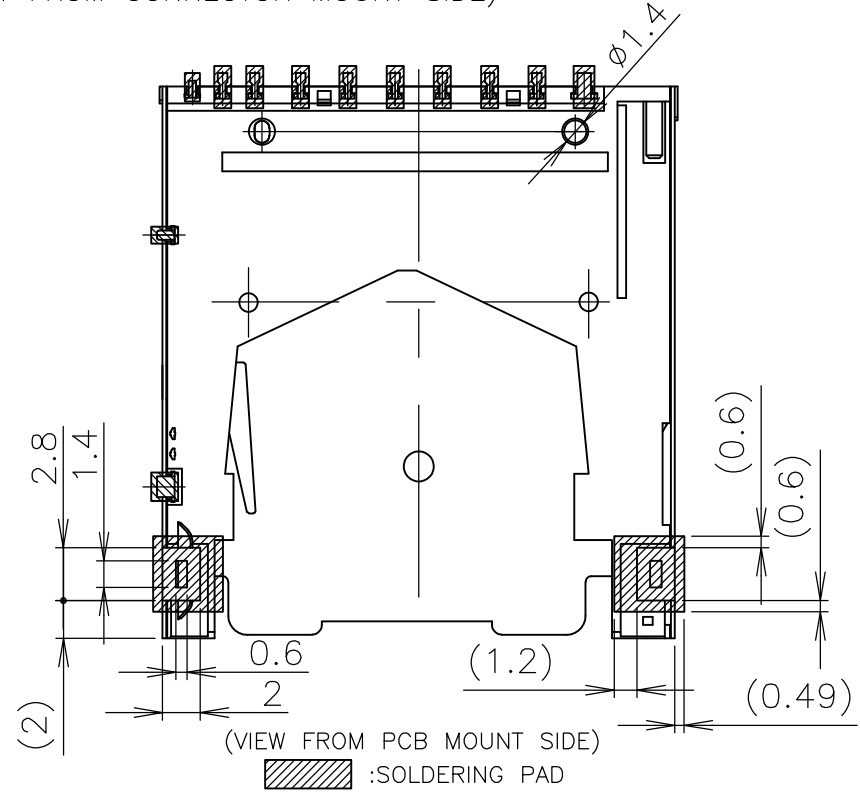


DETAIL E (SCALE 5:1)



(VIEW FROM CONNECTOR MOUNT SIDE)

▨ : COMPONENT PROHIBITION AREA
 □ : SOLDERING PAD



(VIEW FROM PCB MOUNT SIDE)

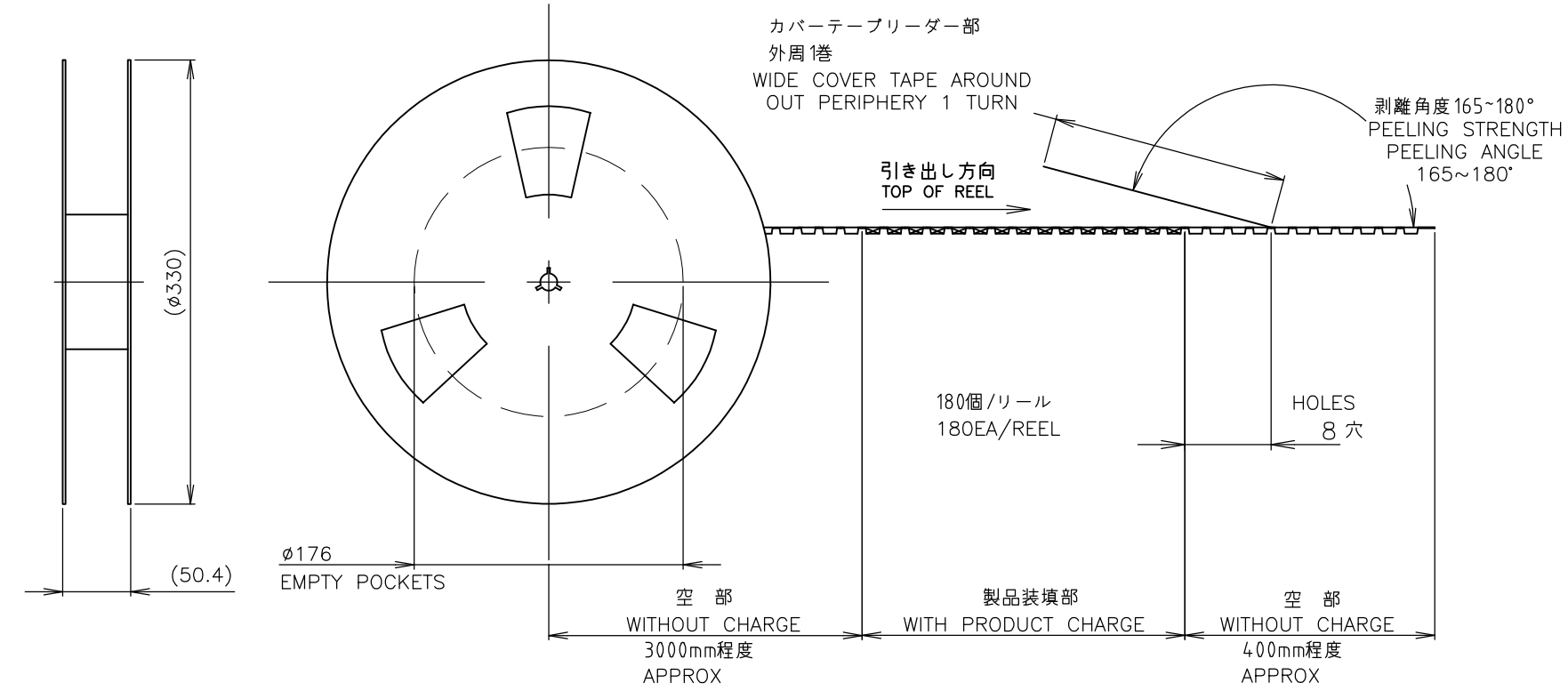
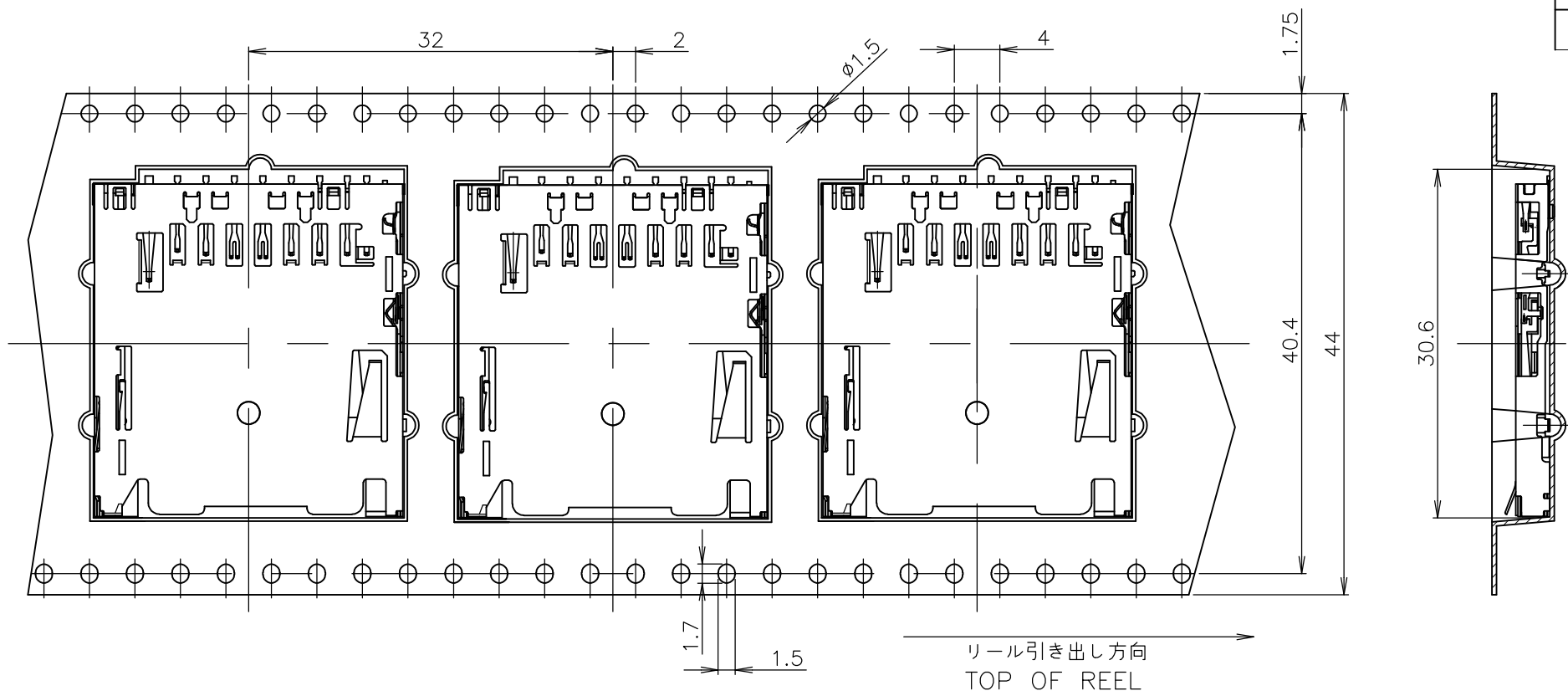
▨ : SOLDERING PAD

1903302=1,=2,-3,-4 ; AS SHOWN

THIS DRAWING IS A CONTROLLED DOCUMENT.		DWN	TE Connectivity		
DIMENSIONS: 單位: 耗 mm		CHK			
TOLERANCES UNLESS OTHERWISE SPECIFIED: 一般公差		APVD	NAME 名称		
0 PLC ± 0.3		PRODUCT SPEC 製品規格	SD MEMORY CARD CONNECTOR PUSH PUSH TYPE REVERSE H0		
1 PLC ± 0.3		APPLICATION SPEC 取付適用規格	SIZE	CAGE CODE	DRAWING NO 番号
2 PLC ± 0.3		MATERIAL 材料	A300779		G-1903302
3 PLC ± 0.3			CUSTOMER DRAWING		RESTRICTED TO
4 PLC ± 0.3		FINISH 仕上	SCALE 尺度	SHEET	REV
ANGLES ± 3°		WEIGHT	NTS	3 OF 4	G1

THIS DRAWING IS UNPUBLISHED. RELEASED FOR PUBLICATION OCT. 2005.
 © COPYRIGHT 2005 By - ALL RIGHTS RESERVED.

REVISIONS				
P	LTR	DESCRIPTION	DATE	APVD
-	-	SEE SHEET 1	-	-



1903302=1,=2,-3,-4 ; AS SHOWN

THIS DRAWING IS A CONTROLLED DOCUMENT.		DWN	STE TE Connectivity	
DIMENSIONS: 単位: 耗 mm		CHK		
TOLERANCES UNLESS OTHERWISE SPECIFIED: 一般公差		APVD	NAME 名称	
0 PLC ± 0.3		PRODUCT SPEC 製品規格	SD MEMORY CARD CONNECTOR	
1 PLC ± 0.3		APPLICATION SPEC 取付適用規格	PUSH PUSH TYPE	
2 PLC ± 0.3		WEIGHT	SIZE	CAGE CODE
3 PLC ± 0.3		CUSTOMER DRAWING	A3	00779
4 PLC ± 0.3			DRAWING NO 番号	G-1903302
ANGLES ± 3'		SCALE 尺度	NTS	SHEET 4 OF 4
FINISH 仕上		RESTRICTED TO	REV G1	

单击下面可查看定价，库存，交付和生命周期等信息

[>>TE Connectivity\(泰科\)](#)