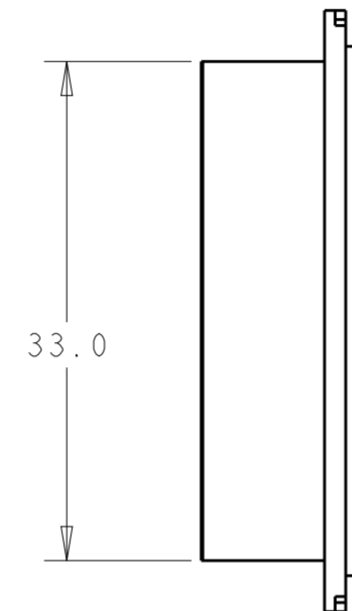
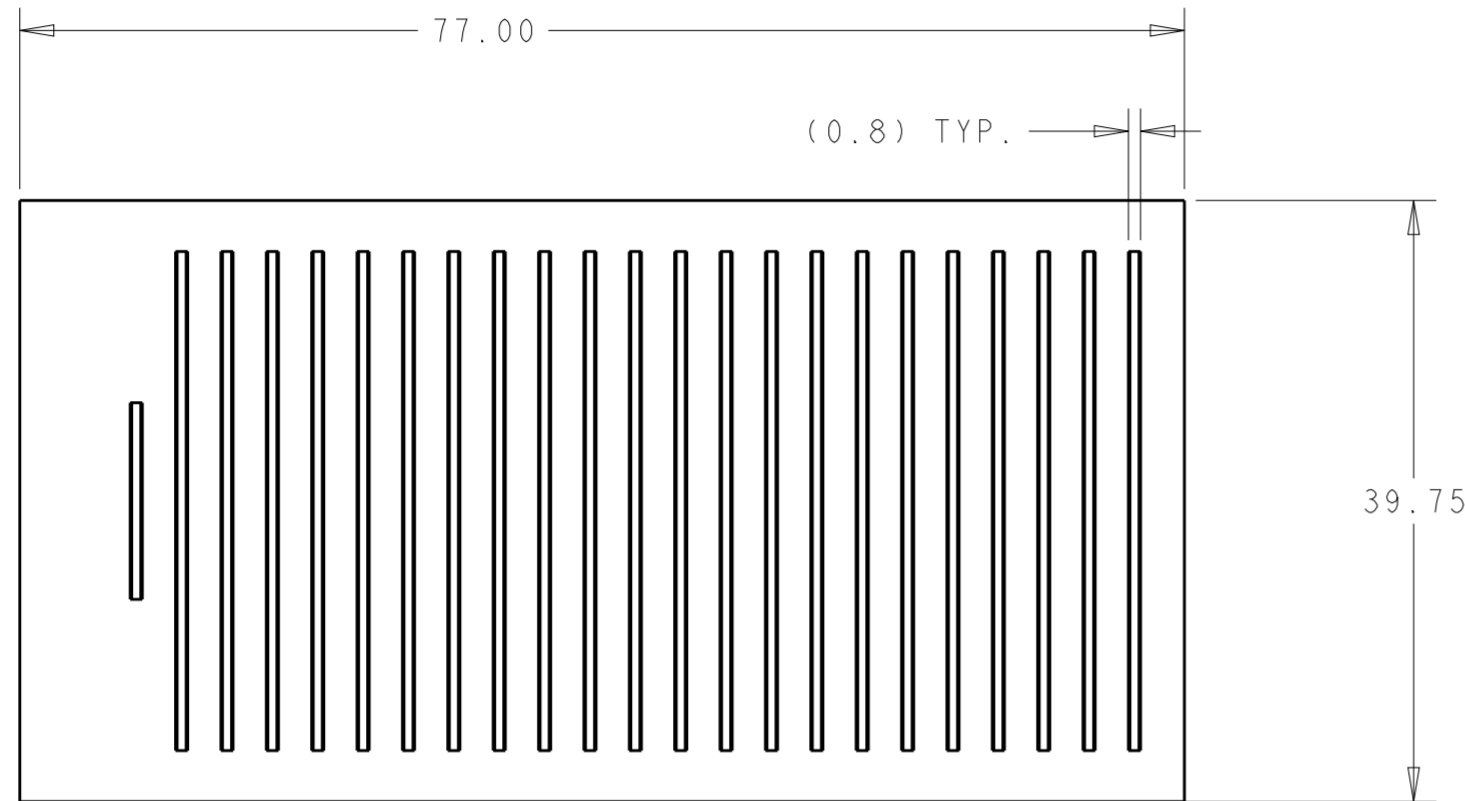
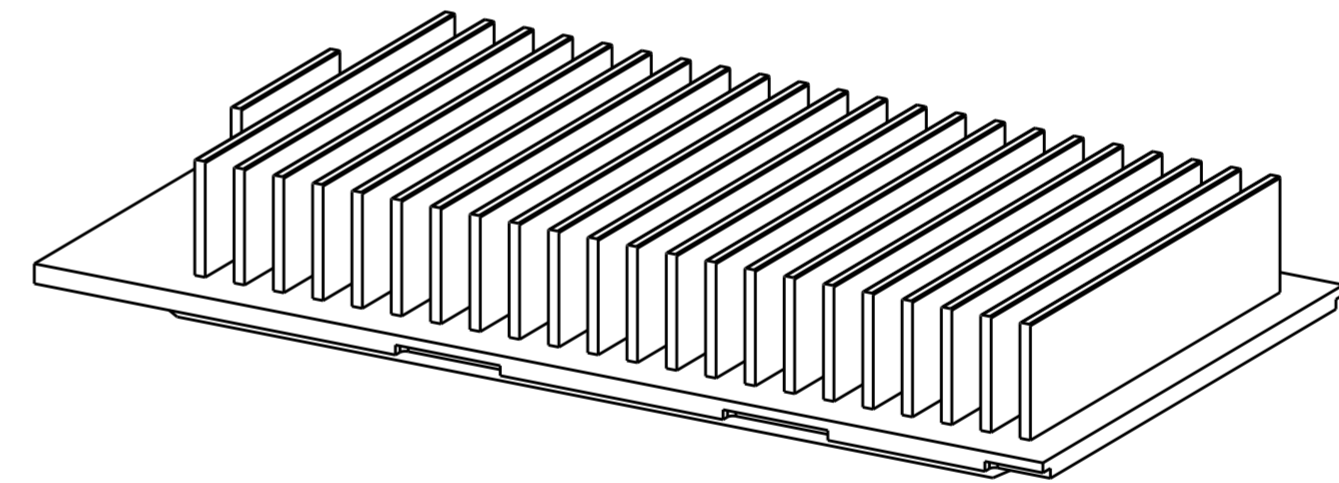


THIS DRAWING IS UNPUBLISHED. RELEASED FOR PUBLICATION 20
 © COPYRIGHT 20 BY - ALL RIGHTS RESERVED.

REVISIONS				
P	LTR	DESCRIPTION	DATE	APVD
	A	INITIAL RELEASE	06JUN2018	AD SH



- ① MATERIAL: ALUMINUM ALLOY;
- ② FINISH: ELECTROLESS NICKEL;
- ③ FINISH: ANODIZED BLACK;
- 4.0.2mm MAX BURR PERMISSIBLE
- 5.VARIATION IN PLATING COLOR IS NORMAL AND ALLOWED



2288219-3 AS SHOWN
SCALE 2:1

4.1	③	2288219-6
10.9	③	2288219-3
DIM. A	FINISH	PART NUMBER

THIS DRAWING IS A CONTROLLED DOCUMENT.		DWN ANDY XIE 11OCT2016	STE TE Connectivity	
		CHK SEAN HAN 11OCT2016		
		APVD SEAN HAN 11OCT2016	NAME HEAT SINK, SIDE TO SIDE AIRFLOW CFP2	
DIMENSIONS: mm		PRODUCT SPEC -	SIZE A2	
TOLERANCES UNLESS OTHERWISE SPECIFIED:		APPLICATION SPEC -	CAGE CODE -	
0 PLC ±		WEIGHT -	DRAWING NO C-2288219	
1 PLC ±0.3		RESTRICTED TO -		
2 PLC ±0.25		SCALE 1:1		
3 PLC ±0.15		SHEET 1 OF 1		
4 PLC ±		REV A		
ANGLES ±		CUSTOMER DRAWING		
FINISH -				

单击下面可查看定价，库存，交付和生命周期等信息

[>>TE Connectivity\(泰科\)](#)