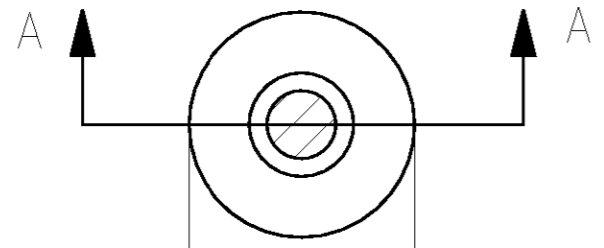


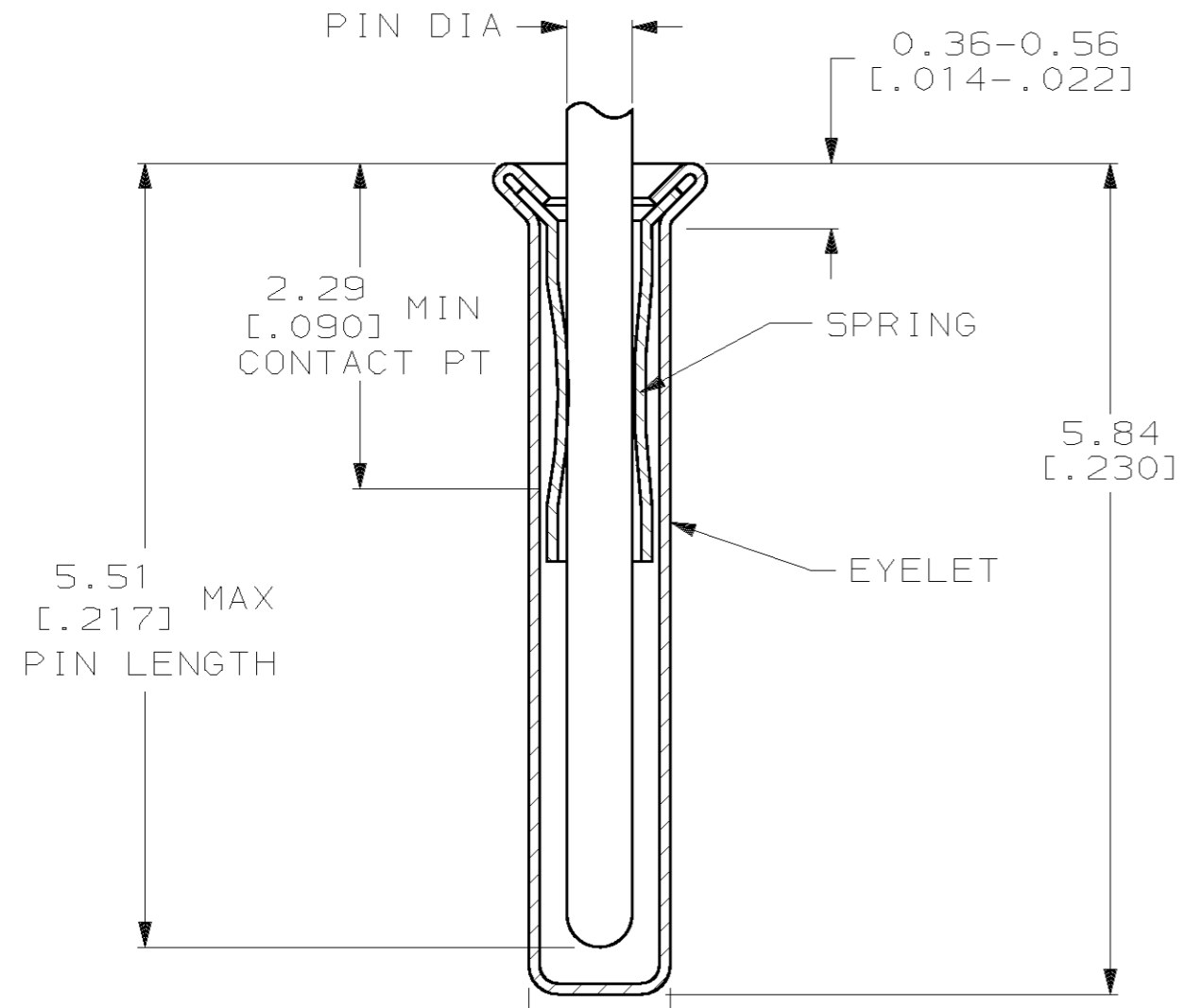
THIS DRAWING IS UNPUBLISHED. RELEASED FOR PUBLICATION ,19 .  
 © COPYRIGHT 19 BY AMP INCORPORATED. ALL RIGHTS RESERVED.

| LOC | DIST | REVISIONS   |                      |         |       |
|-----|------|-------------|----------------------|---------|-------|
| P   | LTR  | DESCRIPTION | DATE                 | DWN     | APVD  |
| AD  | 0    | 0           | REV PER 063C-0214-00 | 18MAY00 | BH HW |



Ø1.50  
[Ø.059] MAX

- 1 SPRING: BERYLLIUM COPPER PER QQ-C-533.  
EYELET: COPPER PER QQ-C-576.
- 2 GOLD PER MIL-G-45204, TYPE II, 0.00076 [.000030] MIN THK OVER NICKEL PER QQ-N-290 0.00028 [.000011] MIN THK ON CONTACT AREA.
- 3 GOLD FLASH PER MIL-G-45204, TYPE II, 0.13µm [.000005] MIN THK. OVER NICKEL PLATE PER QQ-N-290 0.51µm-1.52µm [.000020-.000060] EXT THK.
- 4. RECOMMENDED HOLE SIZE, PLATED OR UNPLATED:  
HAND INSERTION:  $1.02 \begin{matrix} +0.10 \\ -0.00 \end{matrix} \begin{matrix} [.040 \\ -.000] \end{matrix} +.004$
- 5 TO INSURE PROPER SPRING TENSION DO NOT EXCEED A 0.10 [.004] DIFFERENCE IN PIN DIA WHEN CHANGING TO A SMALLER PIN.



5.51  
[.217] MAX  
PIN LENGTH

2.29  
[.090] MIN  
CONTACT PT

0.36-0.56  
[.014-.022]

5.84  
[.230]

SPRING

EYELET

Ø0.97 +0.05  
-0.03  
[Ø.038 +.002  
-.001]

SECTION A-A

|             |                          |        |        |                |
|-------------|--------------------------|--------|--------|----------------|
| CLOSED      | 0.33-0.51<br>[.013-.020] | GOLD 3 | GOLD 2 | 147444-1       |
| BOTTOM TYPE | RECOMMENDED<br>PIN DIA 5 | EYELET | SPRING | PART<br>NUMBER |
| FINISH      |                          |        |        |                |

|   |                  |                                 |   |                        |
|---|------------------|---------------------------------|---|------------------------|
| THIS DRAWING IS A CONTROLLED DOCUMENT.  |                  | DWN<br>R. TALLEY<br>04 APR 00   | <b>AMP</b> AMP Incorporated<br>Harrisburg, PA 17105-3608      |                        |
| DIMENSIONS:<br>mm [INCHES]  |                  | CHK<br>W. WYNKOOP<br>04 APR 00  | NAME<br>SOCKET ASSEMBLY, SERIES 1,<br>MINIATURE SPRING SOCKET |                        |
| TOLERANCES UNLESS<br>OTHERWISE SPECIFIED:                                       |                  | APVD<br>W. WYNKOOP<br>04 APR 00 | PRODUCT SPEC<br>-   |                        |
| 0 PLC ±-<br>1 PLC ±-<br>2 PLC ±0.20 [.008]<br>3 PLC ±-<br>4 PLC ±-<br>ANGLES ±- |                  | APPLICATION SPEC<br>-           | SIZE<br>A3  |                        |
| MATERIAL 1  | FINISH SEE TABLE | WEIGHT -                        | CAGE CODE<br>00779  | DRAWING NO<br>C-147444 |
| CUSTOMER DRAWING  |                  |                                 | RESTRICTED TO<br>-  | SCALE<br>20:1          |
|   |                  |                                 | SHEET<br>1 OF 1   | REV<br>0               |

单击下面可查看定价，库存，交付和生命周期等信息

[>>TE Connectivity\(泰科\)](#)