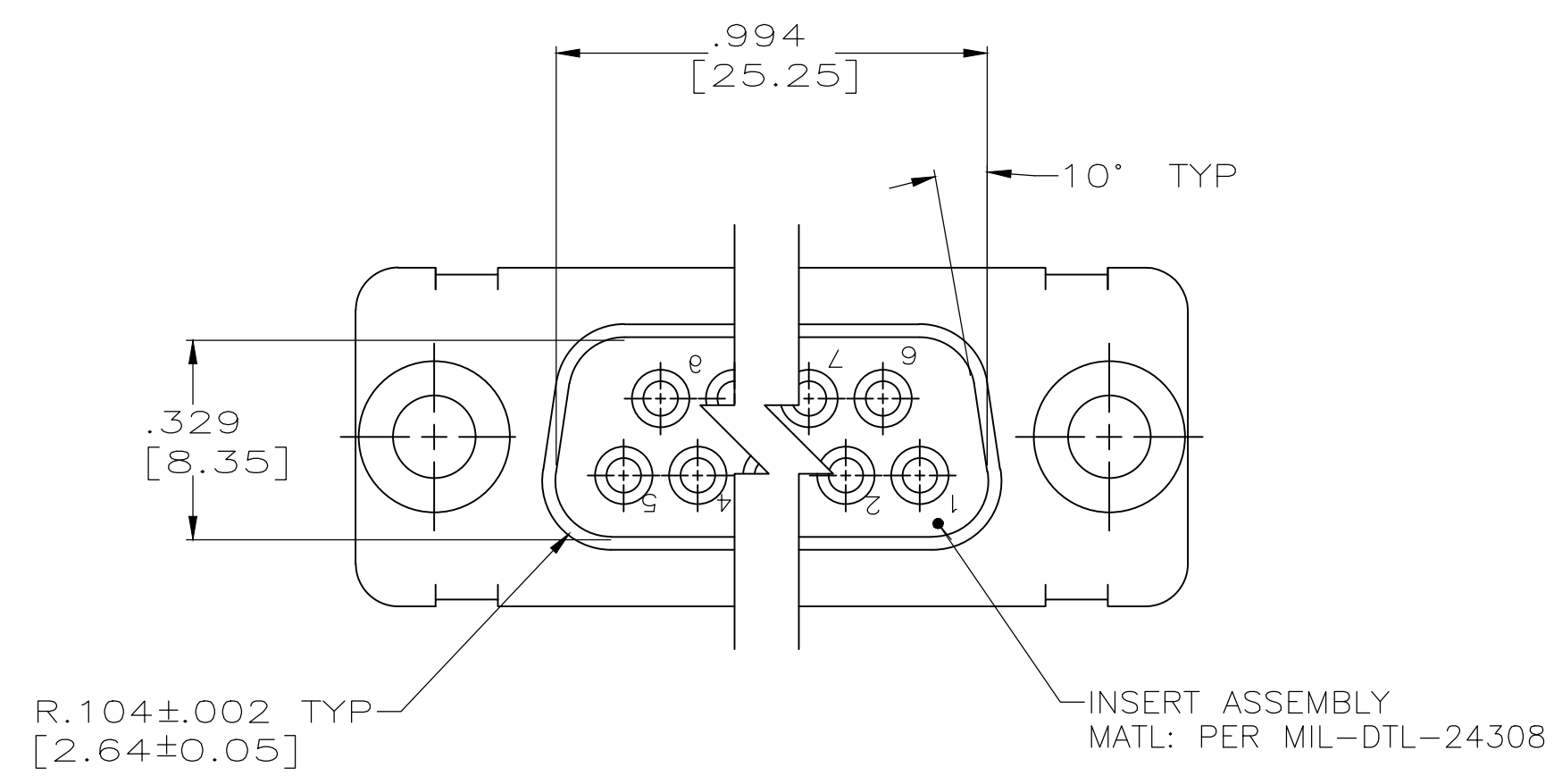
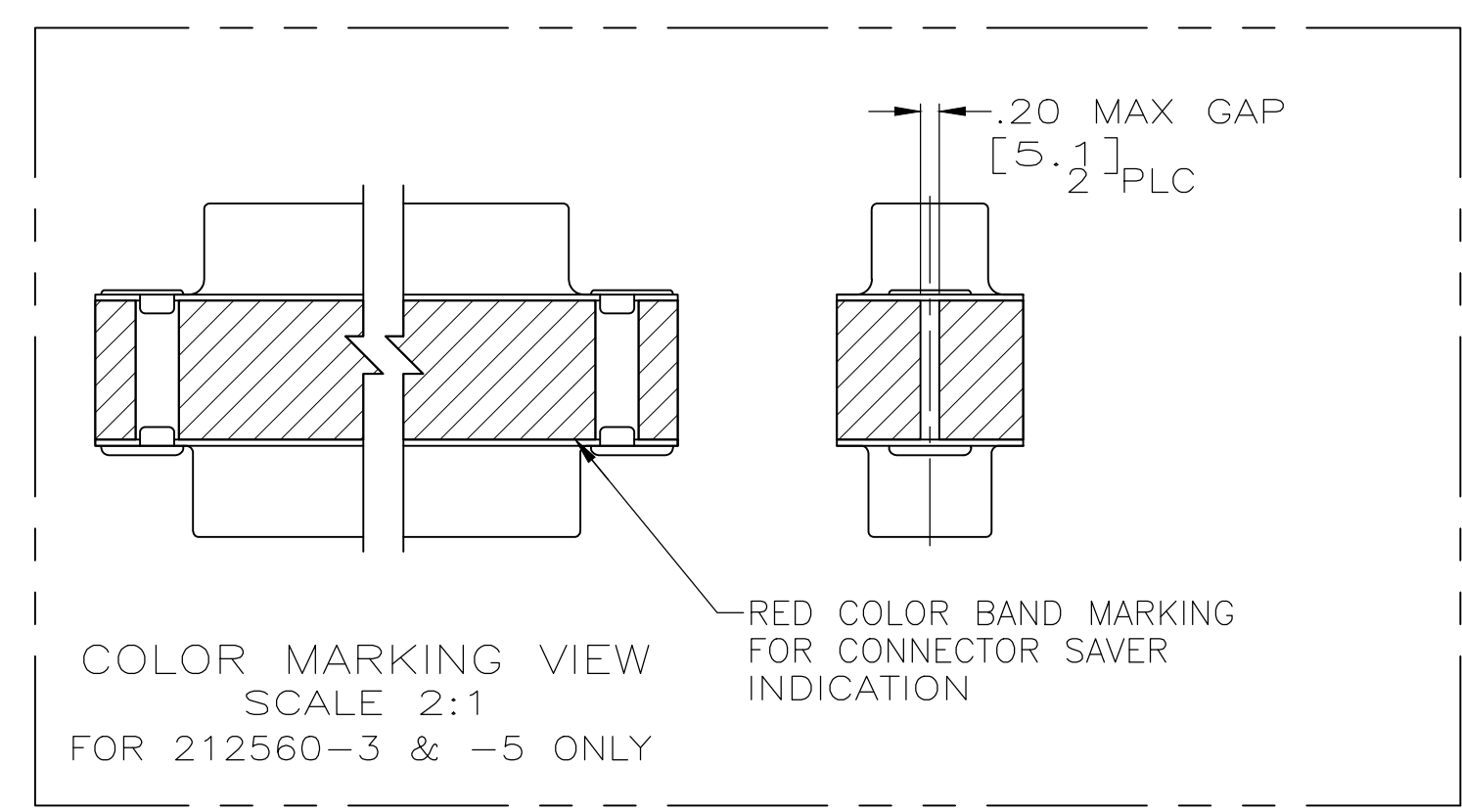
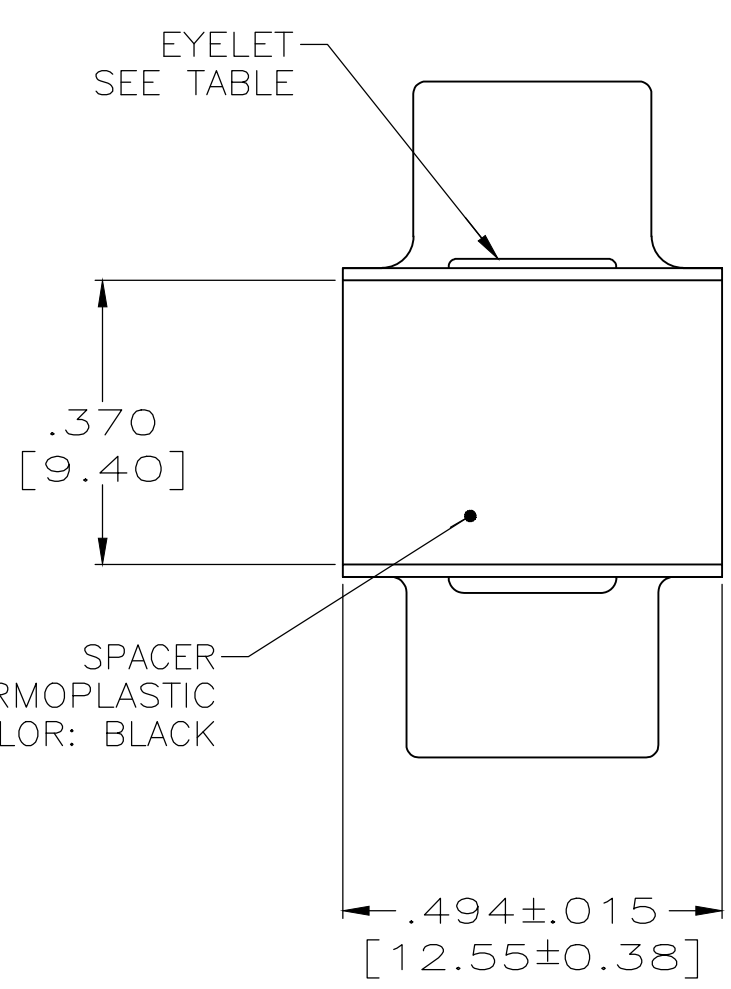
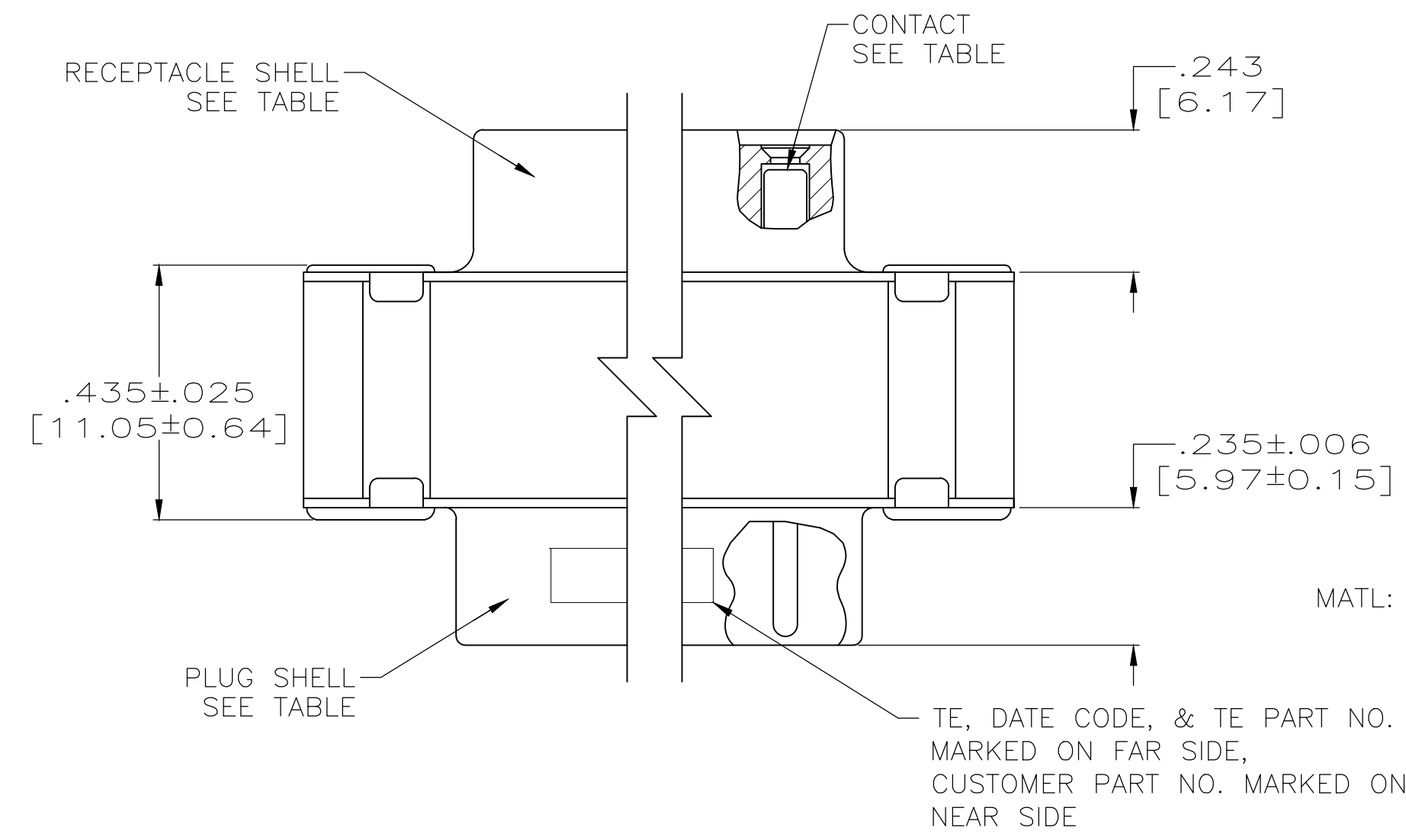
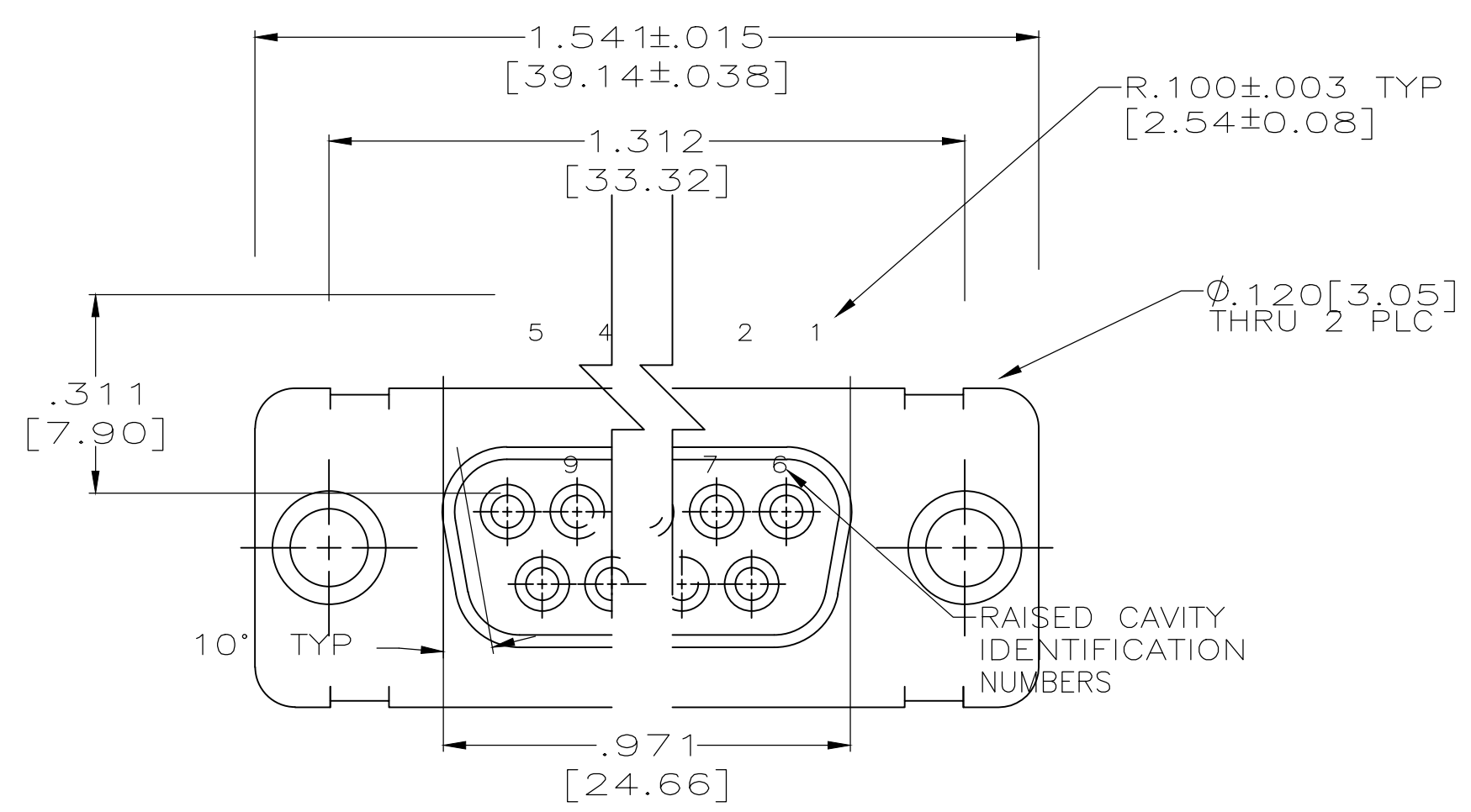


REVISIONS					
P	LTR	DESCRIPTION	DATE	DMN	APVD
V		REV PERECO 19-019228	4-17-20	CT	DM

1. CONTACTS INCLUDED IN ASSEMBLY.
- ① MATL: STEEL, PER ASTM-A-109.
- ② FINISH: CADMIUM PER QQ-P-416.
- ③ CONTACT
BODY MATL: BERYLLIUM COPPER PER ASTM-B-197.
BODY FINISH: PLATED GOLD, .000050 MIN THK PER MIL-G-45204 OVER NICKEL, .000050 MIN THK PER QQ-N-290.
- ④ HOOD MATL: STAINLESS STEEL PER ASTM-A-167.
HOOD FINISH: PASSIVATED PER ASTM-A-380
- ⑤ FINISH: PLATED ZINC .00020 MIN THK PER ASTM-B-633.
YELLOW CHROMATE FINISH.
- ⑥ MATL: BRASS PER ASTM-B-36.
- ⑦ FINISH: PLATED GOLD, .000050 MIN THK PER MIL-G-45204 OVER COPPER, .000100 MIN THK PER MIL-C-14550.
- ⑧ CONTACT
BODY MATL: BERYLLIUM COPPER PER ASTM-B-197.
BODY AND HOOD FINISH: PLATED GOLD, .000050 MIN THK PER MIL-G-45204 OVER COPPER, .000100 MIN THK PER MIL-C-14550.
- ⑨ HOOD MATL: BRASS PER ASTM-B-36
- ⑩ FINISH: PLATED ZINC PER ASTM-B-633 .000200 MIN THK WITH SUPPLEMENTARY CHROMATE (Cr2+).



① ②	③ ④	⑤	-	5-212560-1
⑥ ⑦	⑧ ⑨	⑩	PT2-111-8	1-212560-2
⑪ ⑫	⑬ ⑭	⑮	4U884 SOCN R10002677-0102	212560-5
OBSOLETE	-	-	-	212560-4
⑯ ⑰	⑱ ⑲	⑳	(1J02-102)	212560-3
㉑ ㉒	㉓ ㉔	㉕	-	212560-2
㉖ ㉗	㉘ ㉙	㉚	-	212560-1
EYELET	SHELLS	CONTACT	CUSTOMER P/N	PART NO.

THIS DRAWING IS A CONTROLLED DOCUMENT.

DIMENSIONS: INCHES	TOLERANCES UNLESS OTHERWISE SPECIFIED:	DIN T. THOMPSON 11-07-94	CHK D. MANTIONE 11-07-94	APVD D. MANTIONE 11-07-94	NAME
0 PLC ± -	1 PLC ± -				CONNECTOR SAVER, AMPLIMITE
2 PLC ± -	3 PLC ± .005 [0.13]				15 POSITION, SIZE 2, SERIES 109
4 PLC ± -	ANGLES ± -				
MATERIAL	FINISH	WEIGHT 0	SIZE A1	CAGE CODE 00779	DRAWING NO. C=212560
		CUSTOMER DRAWING	SCALE 4:1	SHEET 1 OF 1	REV V

TE Connectivity

单击下面可查看定价，库存，交付和生命周期等信息

[>>TE Connectivity\(泰科\)](#)