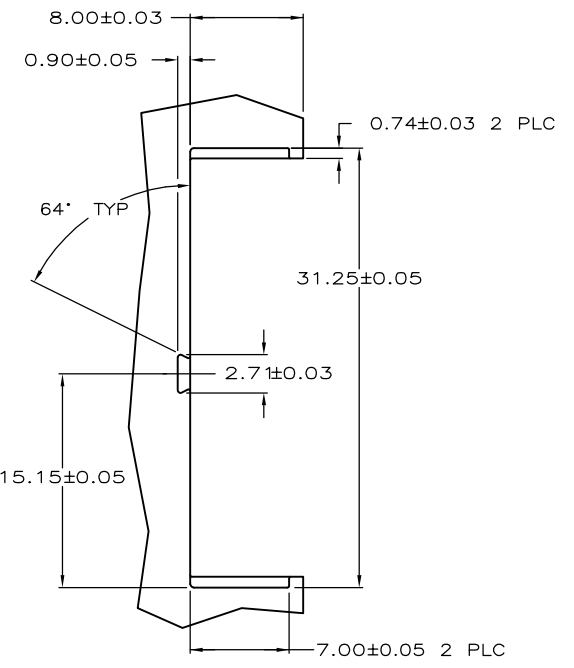
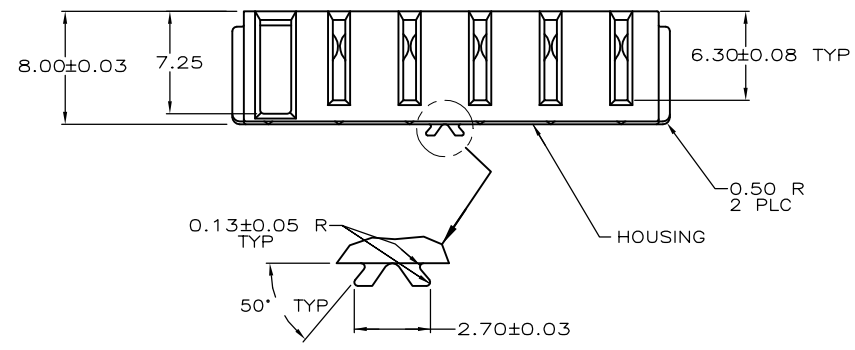
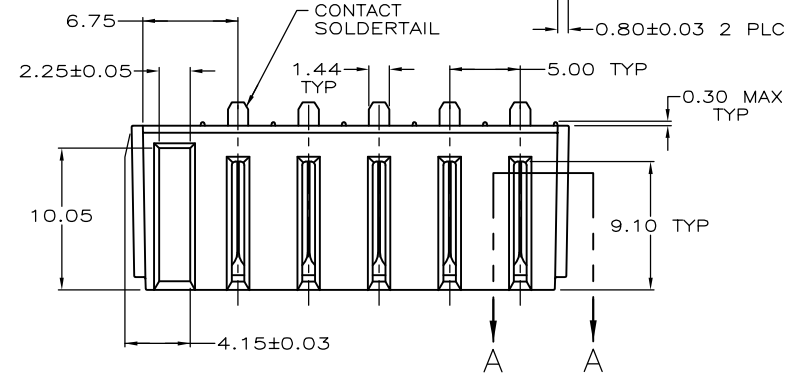
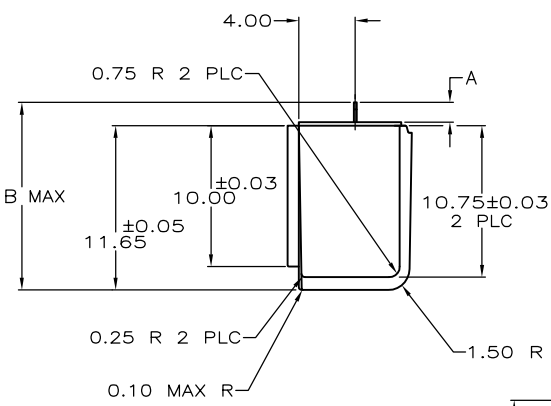
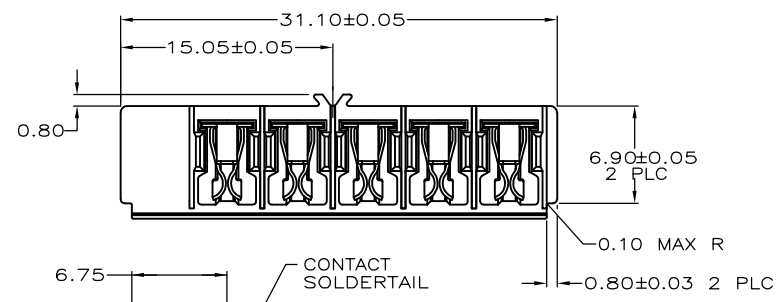
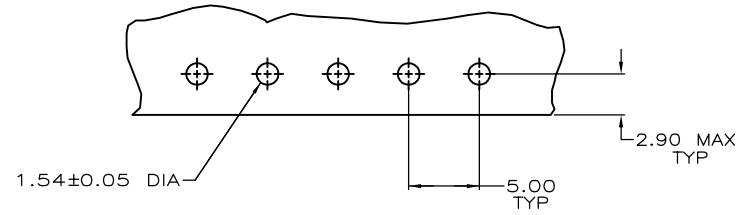


THIS DRAWING IS UNPUBLISHED. RELEASED FOR PUBLICATION
 © COPYRIGHT BY TYCO ELECTRONICS CORPORATION. ALL RIGHTS RESERVED.

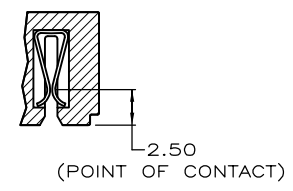
LOC	DIST	REVISIONS			
P	LTR	DESCRIPTION	DATE	OWN	APVD
0	RELEASED	ECR-05-001438	11APR05	J.Z	I.E



SUGGESTED CAVITY



RECOMMENDED PC BOARD LAYOUT



SECTION A-A

- △ HOUSING: POLYPHTHALAMIDE, BLACK.
CONTACT: PHOSPHOR BRONZE.
- △ CONTACT: 1.30μm MIN TIN ON SOLDERTAIL OVER
1.90μm MIN NICKEL ON ENTIRE CONTACT.

12.95	0.85	5787590-2
13.5	1.40	5787590-1
B	A	PART NUMBER

THIS DRAWING IS A CONTROLLED DOCUMENT.		DRN C. OBERMAN	19 SEP 95	Tyco Electronics Corporation Shanghai PRC
		CHK R. STONE	20 SEP 95	
DIMENSIONS:		APVD B. KLINE	20 SEP 95	NAME INSERT ASSEMBLY, 5 POSITION, DOVETAIL LOCATOR, WITH SOLDERTAIL, 5mm CENTERLINE, 7.2 VOLTS, BATTERY INTERCONNECT
TOLERANCES UNLESS OTHERWISE SPECIFIED:		PRODUCT SPEC		
mm	0 PLC ± -	APPLICATION SPEC		SIZE
	1 PLC ± -	108-1501		CAGE CODE
	2 PLC ± 0.10	114-24005		DRAWING NO
	3 PLC ± -			RESTRICTED TO
	4 PLC ± -			A2
	ANGLES ± 9°			00779
MATERIAL	FINISH	WEIGHT		5787590
△	△	CUSTOMER DRAWING		SCALE 4:1
				SHEET 1 OF 1
				REV 0

单击下面可查看定价，库存，交付和生命周期等信息

[>>TE Connectivity\(泰科\)](#)