

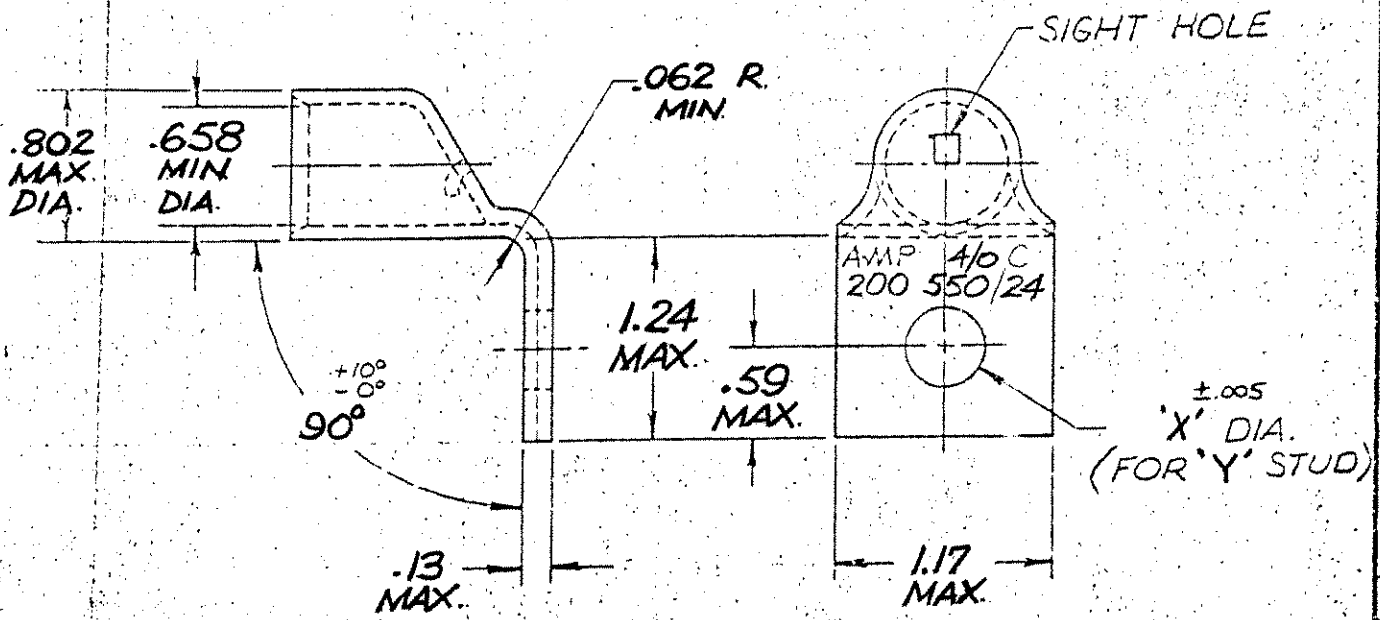
© COPYRIGHT 1975 BY AMP INCORPORATED, HARRISBURG, PA. ALL INTERNATIONAL RIGHTS RESERVED. AMP INCORPORATED PRODUCTS COVERED BY U.S. AND FOREIGN PATENTS AND PATENTS PENDING.

| REVISIONS |                         |      |          |          |
|-----------|-------------------------|------|----------|----------|
| LTR       | DESCRIPTION             | DATE | APPROVED | P/F      |
| D         | REMOVED PER NPS 76-1627 | 2/4  | 6/22/77  | AMW      |
| A         | REL -4 S2-20011         | 2/20 | 11/22/82 | DKS      |
| B         | OBS -1 PER G-193        | 3/17 | 3/16/88  | pmr      |
| C         | REACTIVATE PER G-5920   | BT   | 5/19/92  | DKS      |
| D         | REACT PER 0720-0142-94  | BT   | 8/5/94   | DKS      |
| E         | OBS -1 PER 0720-0964-96 |      | 6/96     | DKS WTV  |
| F         | REV PER 063A-0561-01    |      | 10/02    | DKS/m.s. |

UNPUBLISHED AND NOT TO BE REPRODUCED OR TRANSMITTED IN ANY FORM OR BY ANY MEANS WITHOUT WRITTEN PERMISSION OF AMP INCORPORATED.

S

54664



|          |     |      |         |
|----------|-----|------|---------|
|          | 1/2 | .515 | 54664-4 |
| OBSOLETE | 3/8 | .390 | 54664-1 |
|          | 'Y' | 'X'  | PART NO |

|  |  |  |
|--|--|--|
| UNLESS OTHERWISE SPECIFIED DIMENSIONS ARE IN INCHES. TOLERANCES ON:<br>DECIMALS ± .01<br>ANGLES ± 5° | CONTRACT NO  | AMP INCORPORATED<br>Harrisburg, Pa.                    |
|  | DRI: <i>Don W. Miller</i> 6/22/77<br>CHK: <i>Don W. Miller</i> 6/23/77 |  |
| MATERIAL   | APPD   | WIRE TERMINAL<br>AMPOWER - BENT 90°<br>WIRE SIZE - 4/0 |
| COPPER<br>(ASTM B-75)  | APPD   | SIZE   |
| FINISH   | DESG APPD: <i>Don W. Miller</i> 6/23/77<br>OTHER APPD:                 | CODE IDENT NO  |
| TIN PLATE<br>(MIL-T-10727)   |  | 00779  |
|  |  | DRAWING NO   |
|  |  | 54664  |
|  |  | SCALE NTS  |
|  |  | SHEET  |

单击下面可查看定价，库存，交付和生命周期等信息

[>>TE Connectivity\(泰科\)](#)