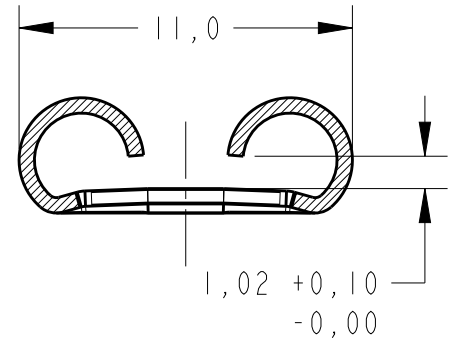
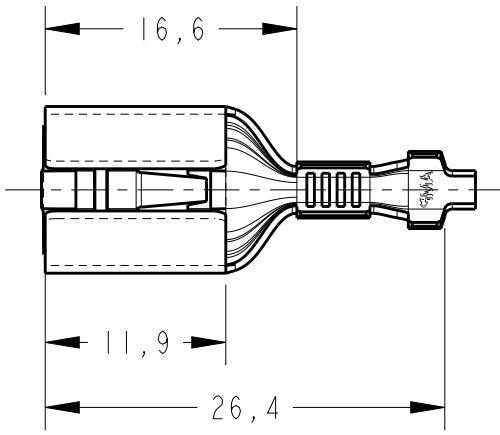


LOC AP
DIST -

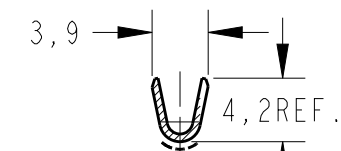
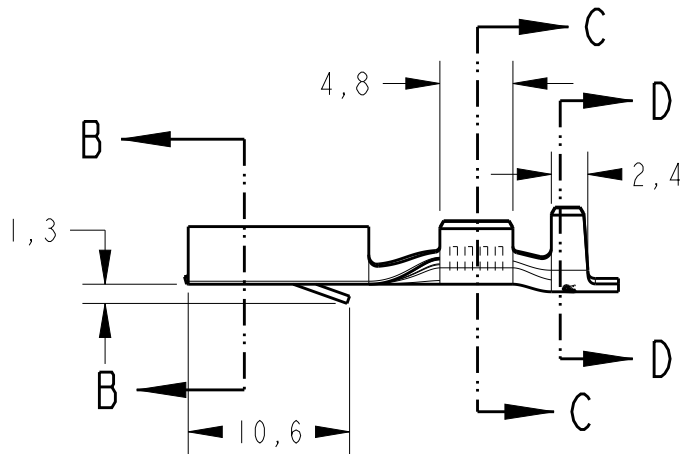
REVISIONS

P	LTR	DESCRIPTION	DATE	DWN	APVD
B		REDRAW BY CAD ECO-14-007082	14MAY2014	NCL	LWP
BI		REVISED BY ECO 16-005803	28JUN2016	HC	WLS

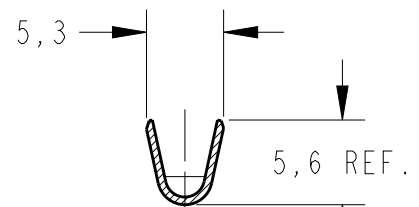
creo
Creo Parametric 2.0
**DO NOT REVISE
EXCEPT BY CAD**



SECTION B-B
SCALE 4:1



SECTION C-C



SECTION D-D

WIRE RANGE	>1,0-2,5 mm ²
INSUL. RANGE	2,1-3,7 Ømm

OBSOLETE	ESTANHADO / TINNED	BRONZE FOSF. PHOSF. BRONZE	444008-4
			444008-3
OBSOLETE	ESTANHADO / TINNED	LATÃO / BRASS	444008-2
			444008-1
	FINISH	MATERIAL	PART NUMBER

20
RELEASED FOR PUBLICATION

ALL RIGHTS RESERVED.

BY -

© COPYRIGHT 20

THIS DRAWING IS UNPUBLISHED.

DIMENSIONS:	
mm	
TOLERANCES UNLESS OTHERWISE SPECIFIED:	
0 PLC	±
1 PLC	±0,3
2 PLC	±
3 PLC	±
4 PLC	±
ANGLES	±1°

DWN	A. PERUSSI	25MAY2009
CHK	M. RODRIGUES	25MAY2009
APVD	L. W. PRADO	25MAY2009
PRODUCT SPEC	108-37015	
APPLICATION SPEC	-	
WEIGHT	-	

MATERIAL	-	FINISH	-
TE Connectivity			
NAME .375 S. FAST-IN-ON RECEPTACLE			
SIZE	A4	CAGE CODE	-
DRAWING NO	C=444008		RESTRICTED TO
Customer Drawing		SCALE	2:1
		SHEET	1 OF 1
		REV	BI

单击下面可查看定价，库存，交付和生命周期等信息

[>>TE Connectivity\(泰科\)](#)