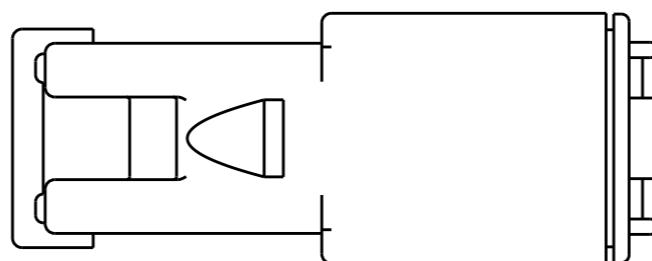
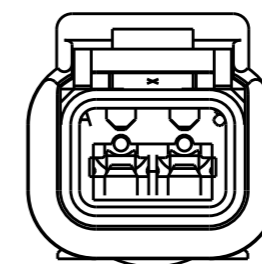
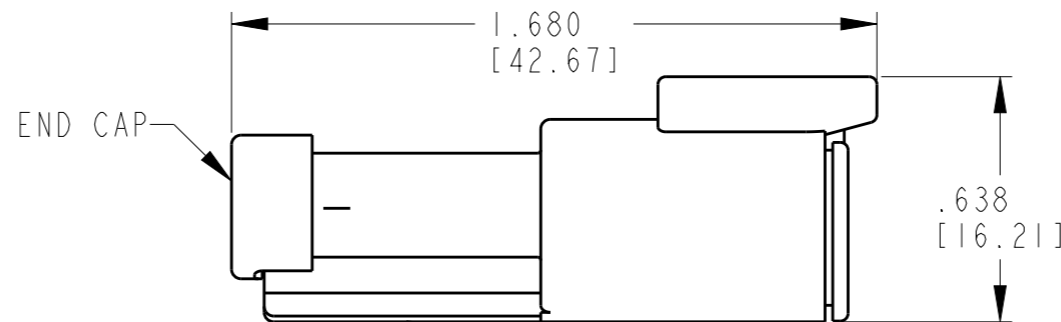
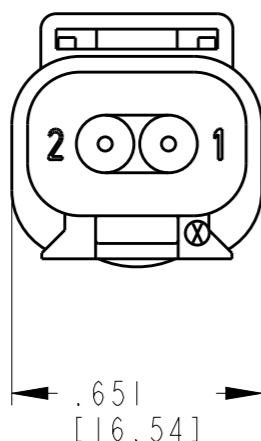
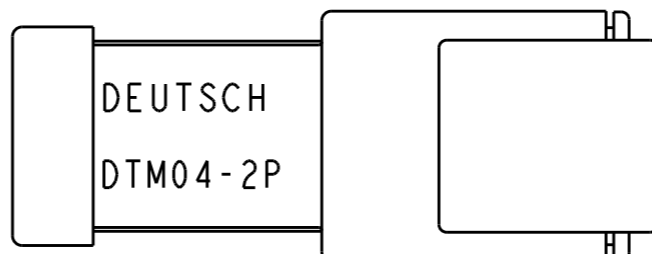
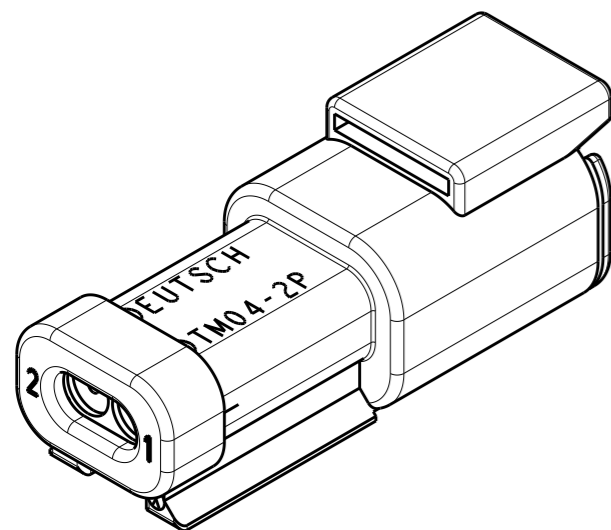


THIS DRAWING IS UNPUBLISHED
 RELEASED FOR PUBLICATION 2018
 © COPYRIGHT 2018 BY TE CONNECTIVITY ALL RIGHTS RESERVED.

| LOC | DIST | REVISIONS | | | |
|-----|------|-------------|-----------------------------|-----------|-------|
| P | LTR | DESCRIPTION | DATE | DWN | APVD |
| - | - | A1 | REVISED PER PCN E-18-000990 | 16JAN2018 | SS DM |
| - | - | A2 | REVISED PER PCN E-19-004978 | 27MAR2019 | AJ DM |



| | |
|----------------|---------------|
| TE INTERNAL PN | DEUTSCH PN |
| DTM04-2P-E003 | DTM04-2P-E003 |

- 4. MATERIAL - HOUSING/END CAP: PA66 GF15 (GRAY)
GROMMET: VMQ (RED-ORANGE).
- 3. THIS RECEPTACLE MATES WITH DTM06-2S-XXXX PLUG.
(XXXX = ALL MODIFICATIONS)
- 2. FOR CONTACT AND WIRE PERFORMANCE AND APPLICATION CHARACTERISTICS SEE ENVELOPE DRAWING 0425-015-0000
- 1. SECONDARY WEDGE LOCK SOLD SEPARATELY: WM-2P, WM-2PX.
(X= A,B,C,D KEYS)

NOTES:

| CONTACT SIZE | MIN. INSUL. O.D. | MAX. INSUL. O.D. | WIRE RANGE [mm ²] REF ONLY |
|--------------|------------------|------------------|--|
| 20 | .053 [1.35] | .120 [3.05] | 16-20 AWG [1.0-0.5] |

| | | | | | | |
|--|----------|--------------------------|--|-----------------|---------------------------|-----------------|
| THIS DRAWING IS A CONTROLLED DOCUMENT. | | DWN S. ZERMENO 22MAY2011 | | | | |
| DIMENSIONS: INCHES [mm] | | CHK B. BYFORD 27JUN2011 | | | | |
| TOLERANCES UNLESS OTHERWISE SPECIFIED: | | APVD S. BEARD 20JUN2011 | NAME RECEPTACLE W/END CAP 2 CONTACTS, SIZE 20 E003 MOD DTM SERIES | | | |
| 0 PLC ± 1 PLC ± 2 PLC ± 3 PLC ±.025 [0.64] 4 PLC ± ANGLES ± | | PRODUCT SPEC 108-151010 | | | | |
| MATERIAL 4 | FINISH - | APPLICATION SPEC - | SIZE A3 | CAGE CODE 4AFU8 | DRAWING NO. DTM04-2P-E003 | RESTRICTED TO - |
| CUSTOMER DRAWING | | | SCALE 4:1 | SHEET 1 OF 1 | REV A2 | |

单击下面可查看定价，库存，交付和生命周期等信息

[>>TE Connectivity\(泰科\)](#)