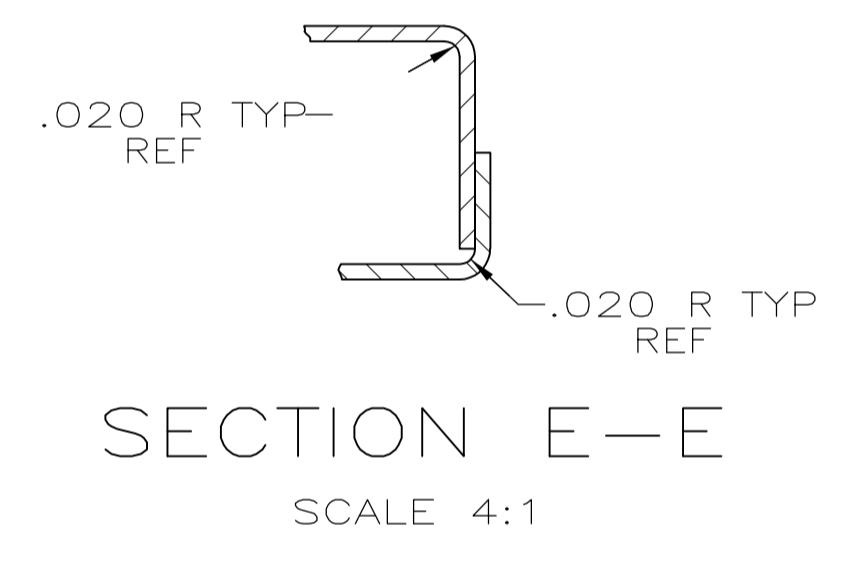
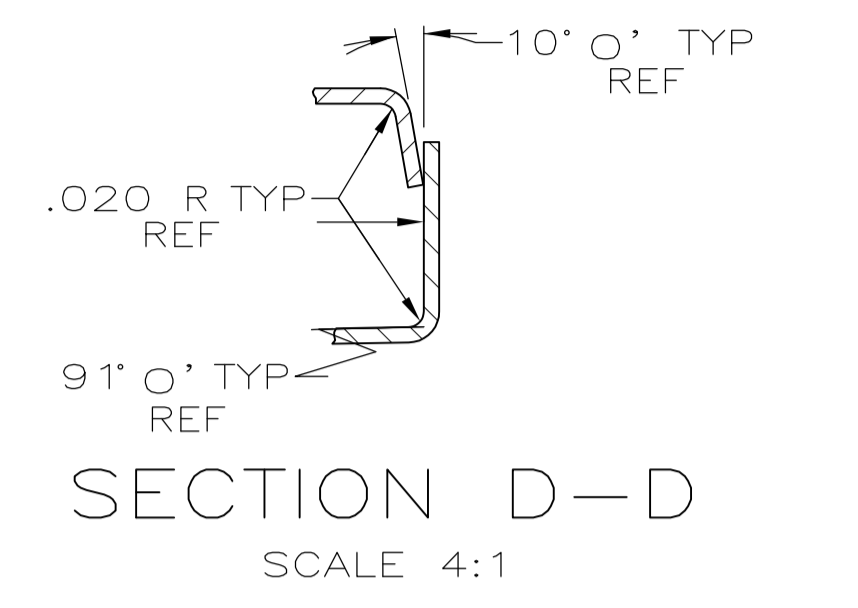
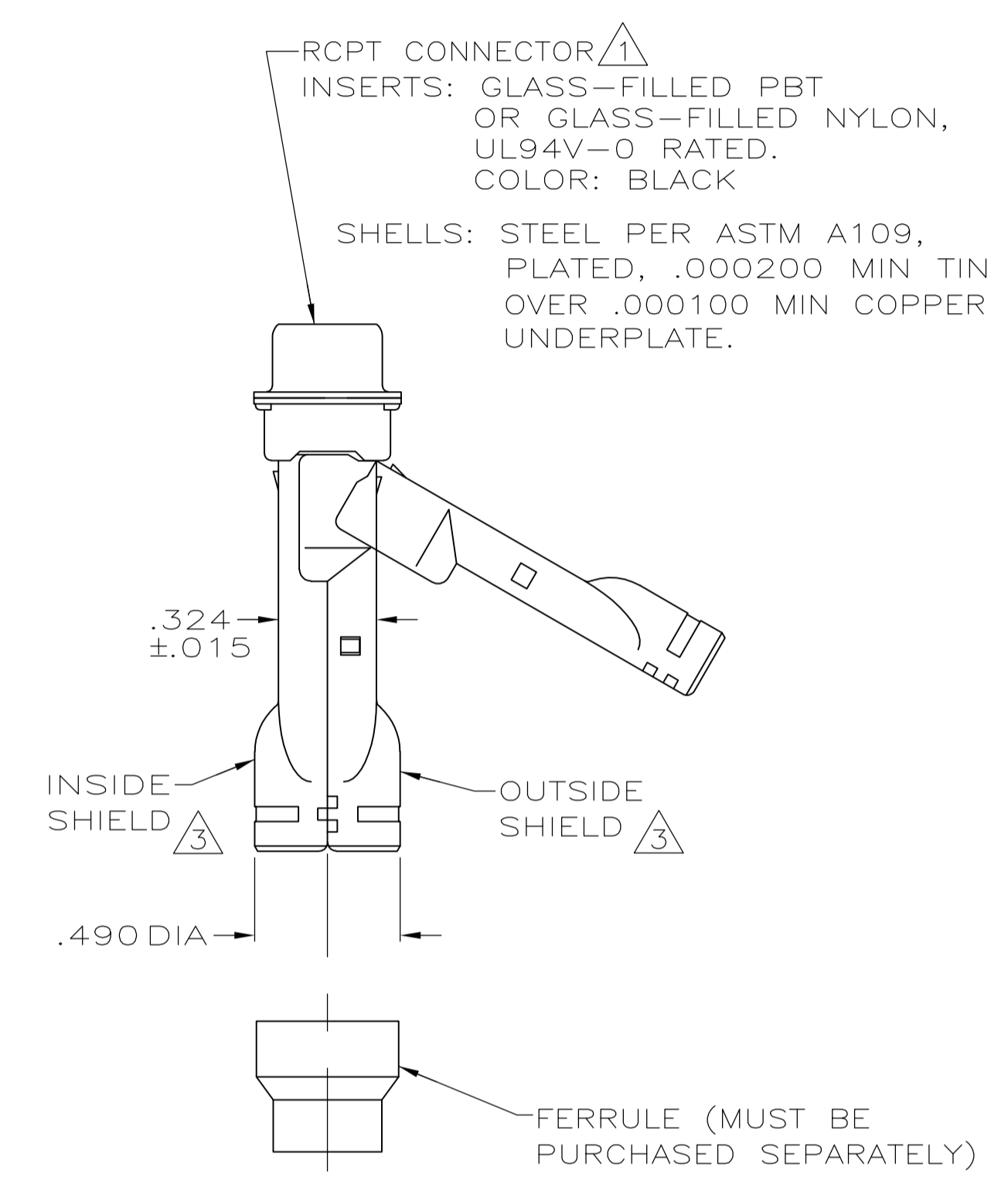
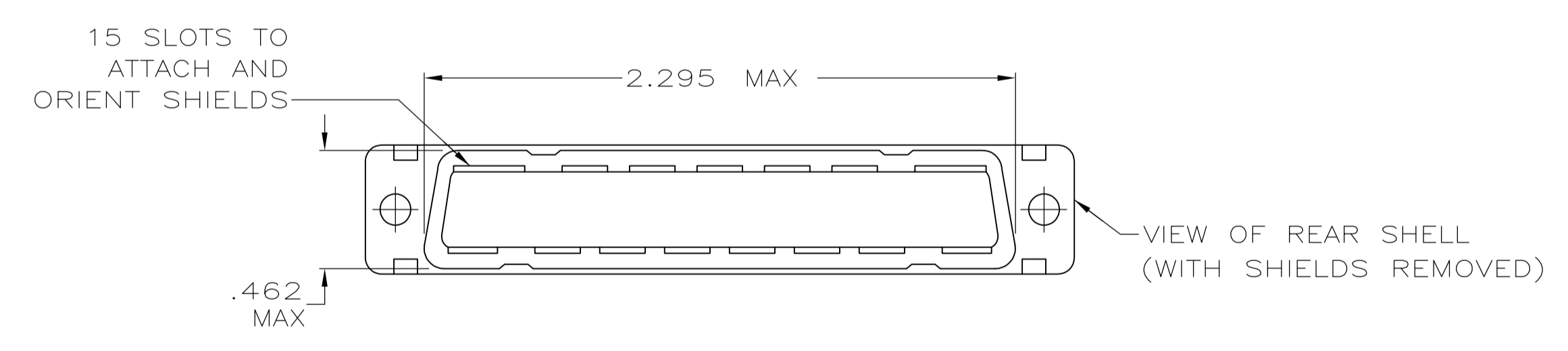
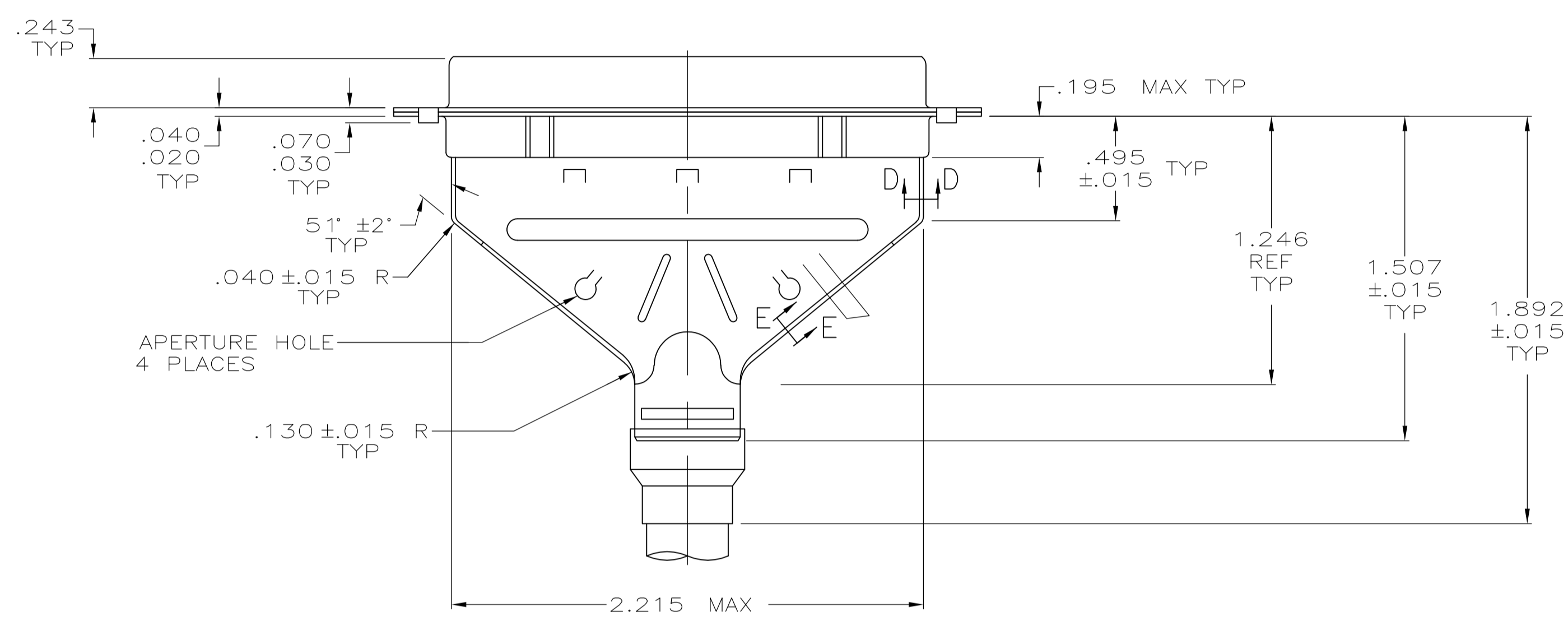
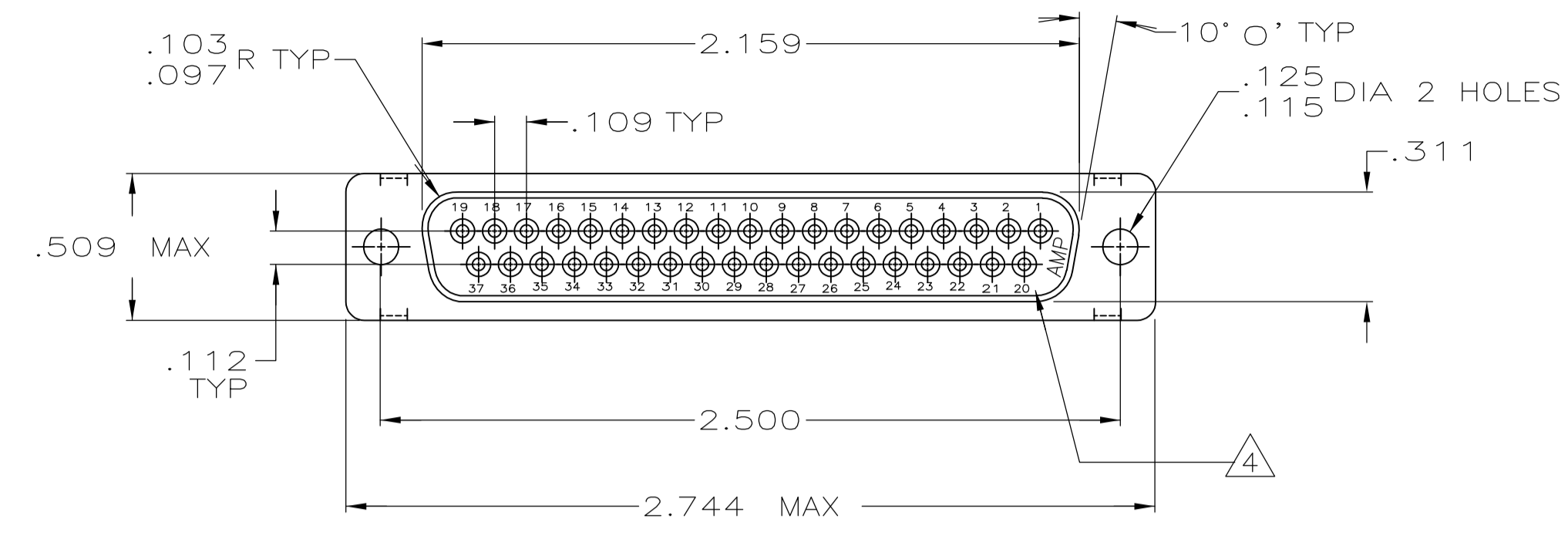


LOC		DIST		REVISIONS			
GP	00	REV	DATE	BY	APPV	DATE	BY
A		REVISED PER ECO-14-011808	09AUG2014	AP	SB		



- 1 RCPT ACCEPTS SIZE 20 SOCKET CONTACTS (CONTACTS MUST BE ORDERED SEPARATELY).
- 2. ALL PARTS SHIPPED UNASSEMBLED, EACH PART INDIVIDUALLY BULK PACKED.
- 3 SHIELDS: MATERIAL—.020 THICK STEEL, PER ASTM A109, PLATED .000200 MIN TIN OVER .000100 MIN COPPER UNDERPLATE.
- 4 RAISED CAVITY IDENTIFICATION AND AMP TRADEMARK.

1658651-1  
PART NUMBER

THIS DRAWING IS A CONTROLLED DOCUMENT.		DIN J. REITZEL 31JUL03		TE Connectivity	
DIMENSIONS: INCHES		CIRK S. BOLASH 31JUL03			
TOLERANCES UNLESS OTHERWISE SPECIFIED:		APVD M. WALMSLEY 31JUL03		NAME	
0 PLC ± -		PRODUCT SPEC		KIT, RCPT, SHIELDING HARDWARE, SIZE 4, 37 POSN, AMPLIMITE™	
1 PLC ± -		APPLICATION SPEC		HDP-20	
2 PLC ± -		108-40030		SIZE	
3 PLC ± .005		114-40030		CAGE CODE	
4 PLC ± -		DRAWING NO		DRAWING NO	
ANGLES ± ° 30°		WEIGHT		A1 00779	
MATERIAL SEE CALL OUT 3		FINISH SEE CALL OUT 4		CUSTOMER DRAWING	
		SCALE		2:1	
		SHEET		1 OF 1	
		REV		A	

单击下面可查看定价，库存，交付和生命周期等信息

[>>TE Connectivity\(泰科\)](#)

[>>点击查看相关商品](#)