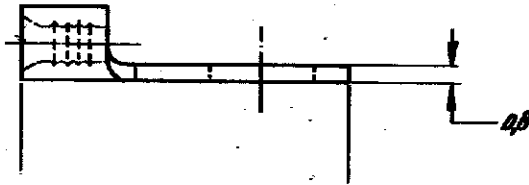
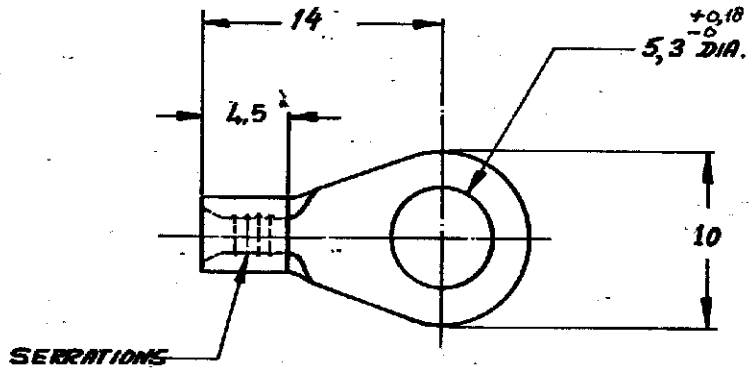


DRAWING MADE IN AMERICAN PROJECTION

NAME  
C-165298-E



DO NOT SCALE PRINT


**CUSTOMER COPY FOR REFERENCE ONLY**

©1967 BY AMP-HOLLAND N.V. ALL RIGHTS RESERVED A-MP PRODUCTS COVERED BY PATENTS AND/OR PATENTS PENDING.



165298	COPPER	TINPLATED
ORDER NO.	MATERIAL	PLATING
DR R. J. WANDT.	DATE 16-67	CHK H.C. J. J. J.
DATE 16-67	APP [Signature]	DATE 17-67

WIRE-RANGE 15-25 M <sup>2</sup>	INSUL-RANGE —	TYPE - DIN - SOLESTRAND
SCALE —	LOC H	SIZE A

NO C-165298-E	REV C
------------------	----------

NAME  
RINGTONGUE stud: M5

AMP 1288

单击下面可查看定价，库存，交付和生命周期等信息

[>>TE Connectivity\(泰科\)](#)