

THIS DRAWING IS UNPUBLISHED. RELEASED FOR PUBLICATION  
 © COPYRIGHT - TE Connectivity Ltd. ALL RIGHTS RESERVED.

REVISIONS					
P	LTR	DESCRIPTION	DATE	DWN	APVD
B		REVISED PER ECO-18-013690	23OCT2018	SR	PO

SPECIFICATIONS:

ELECTRICAL

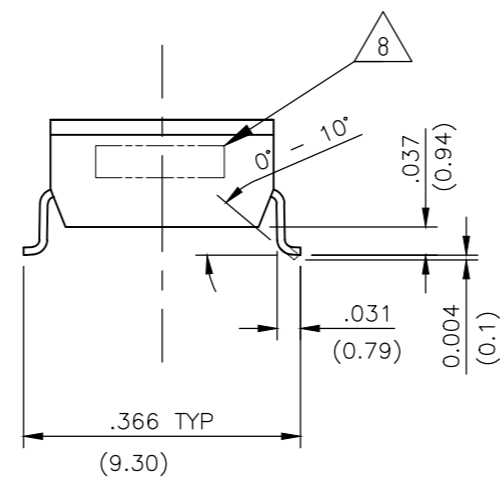
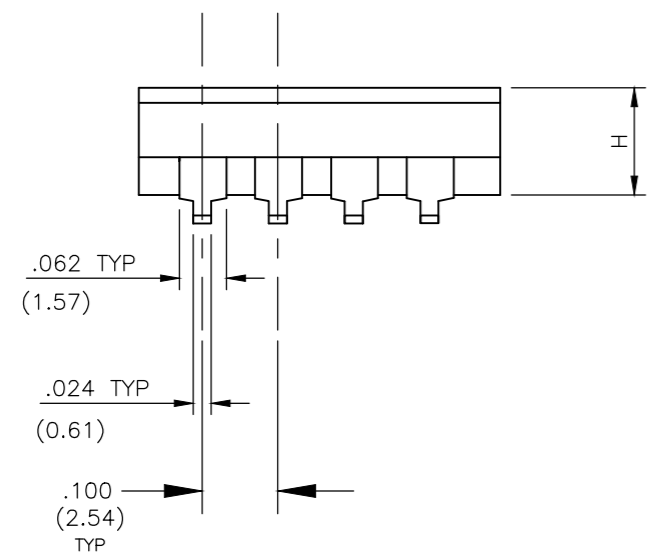
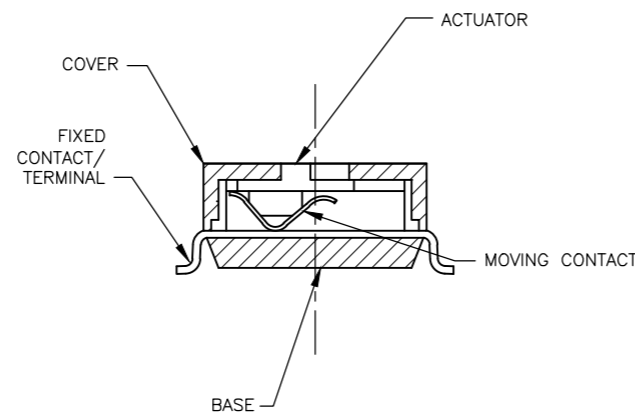
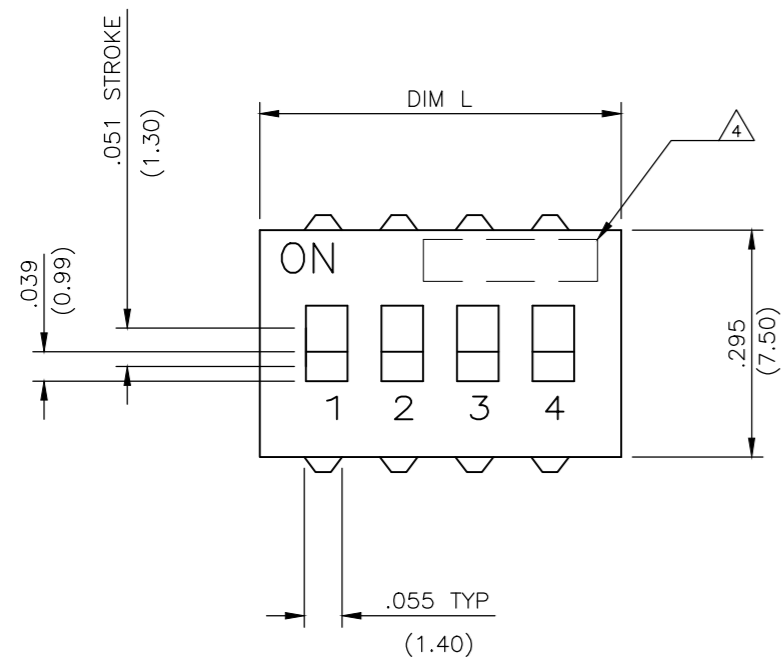
MAX CONTACT RATING SWITCHING, 100MILLIAMPS @ 24 VDC  
 MIN CONTACT RATING SWITCHING, .1MICROAMP @ 1 MILLIVOLT  
 MAX CONTACT NON-SWITCHING, 1AMP @ 5 VDC  
 INITIAL CONTACT RESISTANCE, 50 MILLIOHMS MAX.  
 CONTACT RESISTANCE (AFTER ENVIRONMENTAL TEST), 100 MILLIOHMS  
 CONTACT RESISTANCE (AFTER GAS TEST), 300 MILLIOHMS  
 INSULATION RESISTANCE, 1,000 MEGOHMS MIN. @ 100 VDC  
 DIELECTRIC STRENGTH, 500 VAC RMS @ SEA LEVEL  
 LIFE EXPECTANCY, 1,000 CYCLES

MECHANICAL

OPERATING FORCE, LESS THAN 800 GRAMS  
 CONTACT PRESSURE, 280,000 PSI

ENVIRONMENTAL

OPERATING TEMPERATURE, -30 TO +85 DEGREES C  
 STORAGE TEMPERATURE, -45 TO + 100 DEGREES C  
 CLEANING, AQUEOUS OR SOLVENT  
 SOLDER HEAT RESISTANCE, PER 109-201, COND B, SWITCH "OFF".  
 SOLDERABILITY PER JIS C 0050 & JIS C 0053



- SWITCHES PACKAGED IN THE "OFF" POSITION AND ON TAPE AND REEL.
- TOP SURFACE TO BE CLEARLY MARKED AS SHOWN
- SWITCHES TO BE BLACK WITH WHITE ACTUATORS AND MARKINGS.
- MARK ALCO PLUS FIRST 5 DIGITS PER PART DESCRIPTION.  
2 POSITION SUPPLIED WITHOUT ALCO
- ALL MATERIALS AND FINISHES SHALL COMPLY WITH EU DIRECTIVE 2002/95/EC OF 27JAN2003 (ROHS)
- TOP TAPE SEAL AVAILABLE, SEE TABLE FOR OPTIONS.
- TAPE AND REEL PACKAGING PER EIA 481.



LOT CODE MARKING

15 5 8 A1

SPACE INTERNAL CONTROL No. (2-digit)

YEAR OF PRODUCTION WITH 1-DIGIT FIGURE(4TH DIGIT OF CALENDAR YEAR)  
(EXAMPLE: Y2018: 8; Y2019: 9)

MONTH OF PRODUCTION WITH 1-DIGIT FIGURE OR ALPHABET  
(EXAMPLE: 1~9, X(10), Y(11), Z(12))

DATE OF PRODUCTION WITH 2-DIGIT FIGURES(01-31)

TAPE SEAL	POLIMIDE FILM	AMBER
MOVING CONTACT	BERYLLIUM COPPER	0.08 MICROM MIN GOLD OVER 1.27 MICROM MIN NICKEL
FIXED CONTACT/TERMINAL	BRASS	0.08 MICROM MIN GOLD OVER 1.27 MICROM MIN NICKEL
ACTUATOR	PA6T	WHITE
COVER	PPS UL94V-0 30% GLASS	BLACK
BASE	PPS UL94V-0 40% GLASS	BLACK
ITEM	MATERIAL	FINISH

ADF02STTR04900	0.138 (3.51)	0.278 (7.06)	YES	2	1814425-3
ADF08STTR04900	0.138 (3.51)	0.878 (22.30)	YES	8	1814425-2
ADF10STTR04900	0.138 (3.51)	1.078 (27.38)	YES	10	1814425-1
Part Description	Dim H	Dim L	Seal	Pos	Part No

THIS DRAWING IS A CONTROLLED DOCUMENT.		DWN RAGHAVENDRA 09NOV10	TE Connectivity Ltd.		
DIMENSIONS: mm		CHK EPPLEY NAZ 09NOV10			
TOLERANCES UNLESS OTHERWISE SPECIFIED:		APVD EPPLEY NAZ 09NOV10	NAME		
0 PLC ±		PRODUCT SPEC	DIP SWITCH, ADF SURFACE MOUNT		
1 PLC ±		APPLICATION SPEC	SIZE CAGE CODE DRAWING NO RESTRICTED TO		
2 PLC ±			A2 00779 C=1814425		
3 PLC ±			SCALE 4:1 SHEET 1 of 1 REV B		
4 PLC ±					
ANGLES ±					
MATERIAL FINISH		WEIGHT	CUSTOMER DRAWING		

单击下面可查看定价，库存，交付和生命周期等信息

[>>TE Connectivity\(泰科\)](#)