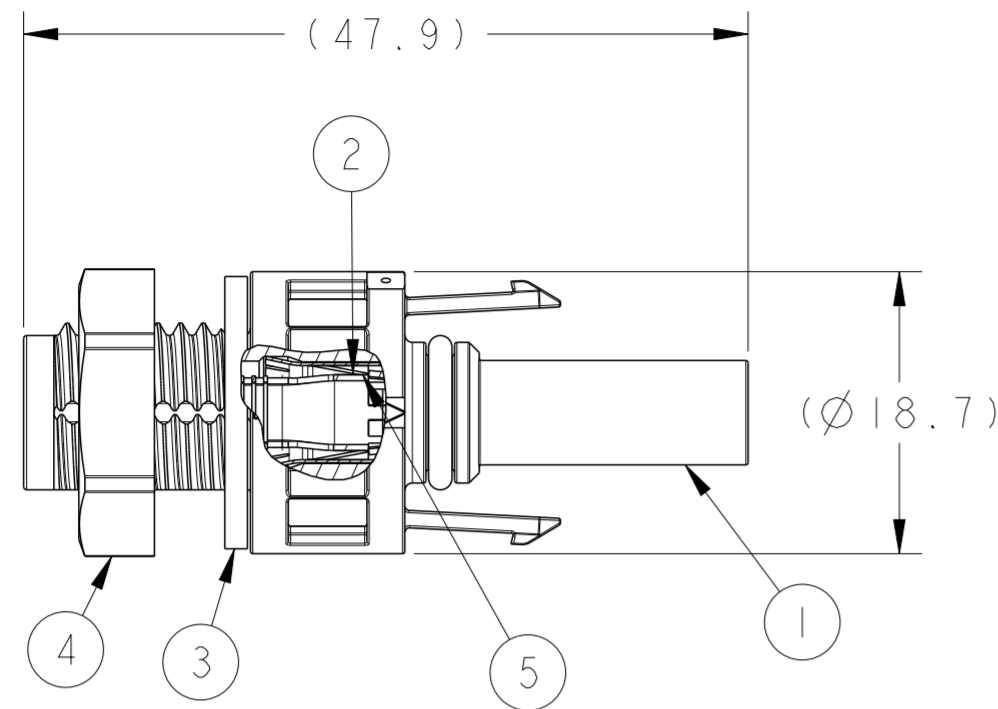
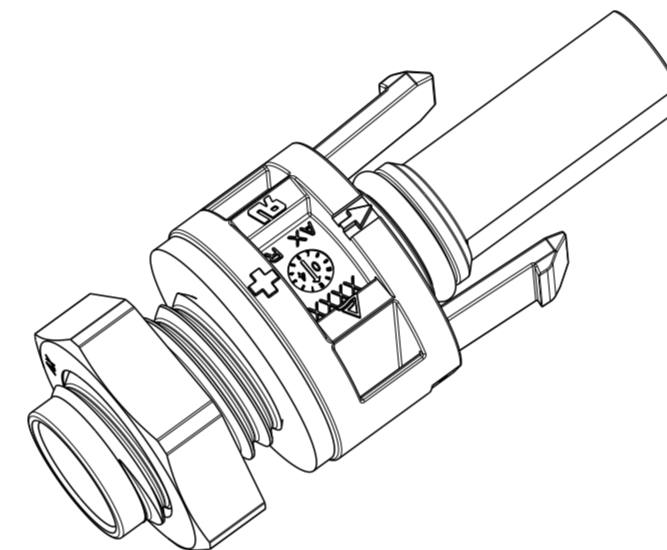
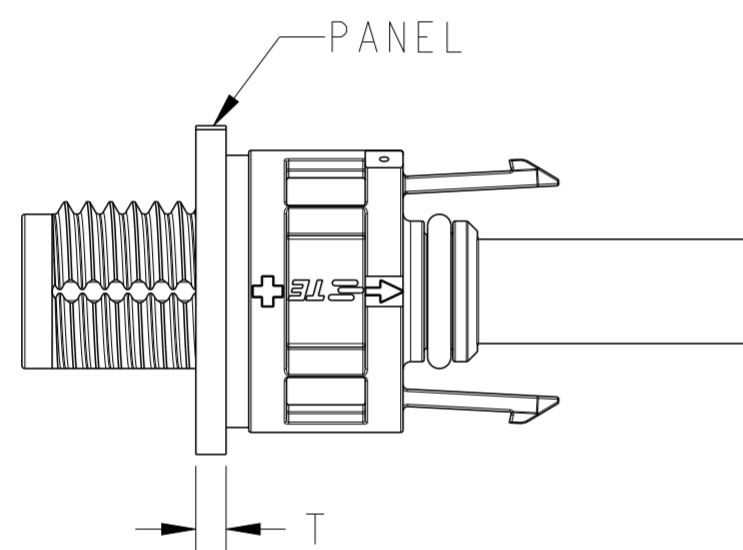


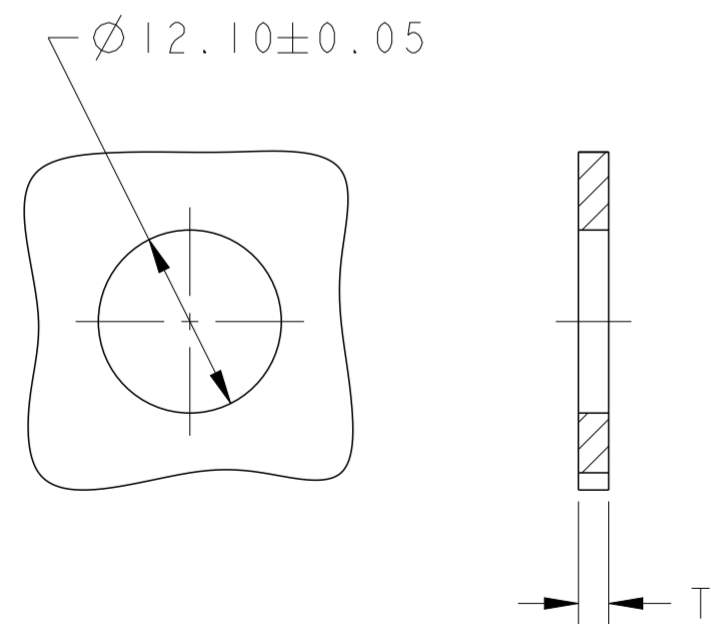
P	LTR	DESCRIPTION	DATE	DWN	APVD
A		ECN-22-176531	24AUG2022	SR	FR



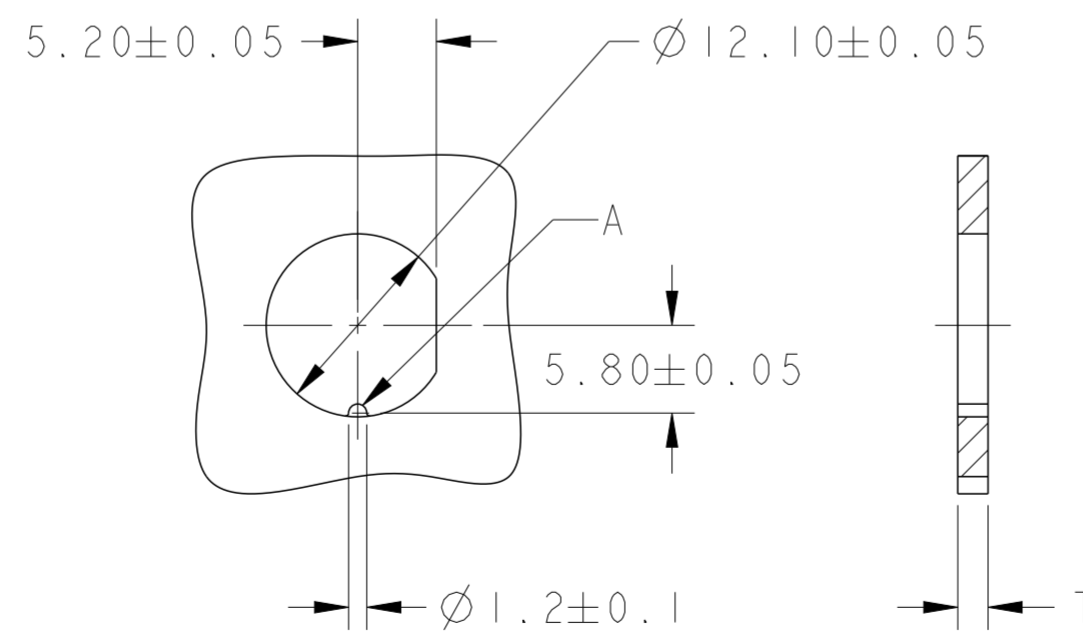
- ① FLAT SEAL AND O-RING ASSEMBLED ON PIN HOUSING
- ② NUT ENCLOSE LOOSELY
- ③ RECOMMENDED TIGHTENING TORQUE FOR NUT (ITEM NO.4) 1.0-1.2Nm WHEN ASSEMBLING AT PANEL WALL
- 4. USE ONLY CRIMPING TOOL OF TE CONNECTIVITY TO CRIMP CONTACT.



SCALE 2:1



ROUND HOLE



D HOLE

RECOMMENDED MOUNTING HOLE  
 T(PANEL THICKNESS): 2-6mm  
 FEATURE A DETERMINED BY CUSTOMER

QTY	DESCRIPTION	ITEM
100	PACKAGING	
2428530-2	ORDER-NO.	
1000		
1	O-RING, RUBBER, BLUE	① 5
1	NUT M12x1.5, PC, BLACK	② 4
1	FLAT SEAL, RUBBER, BLACK	① 3
1	METAL CLIP RING, STAINLESS STEEL	2
1	SOCKET HOUSING, PC, BLACK	1

THIS DRAWING IS A CONTROLLED DOCUMENT.		DWN S. RANJITH 24AUG2022	TE Connectivity	
DIMENSIONS: mm		CHK G. PULLIUM 24AUG2022	NAME SOC CONNECTOR PREASSEMBLED, PV4-PIF40/60	
TOLERANCES UNLESS OTHERWISE SPECIFIED: 0 PLC ± 1 PLC ±0.3 2 PLC ± 3 PLC ± 4 PLC ± ANGLES ± FINISH -		APVD F. ROSENKRANZ 24AUG2022	PRODUCT SPEC 108-160423	
MATERIAL -		APPLICATION SPEC 114-160423	SIZE A200779	CAGE CODE C-2428530
		WEIGHT -	DRAWING NO C-2428530	RESTRICTED TO -
		CUSTOMER DRAWING	SCALE 2:1	SHEET 1 OF 1
			REV A	

单击下面可查看定价，库存，交付和生命周期等信息

[>>TE Connectivity\(泰科\)](#)