

THIS DRAWING IS UNPUBLISHED.

RELEASED FOR PUBLICATION

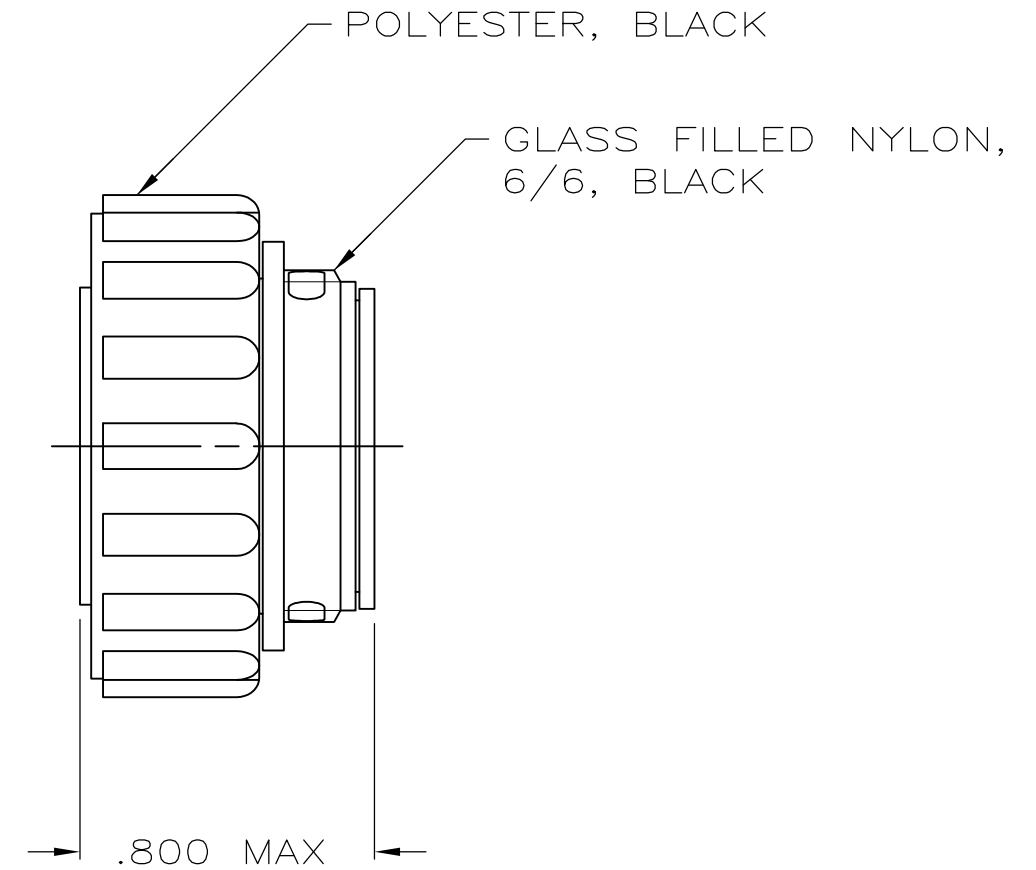
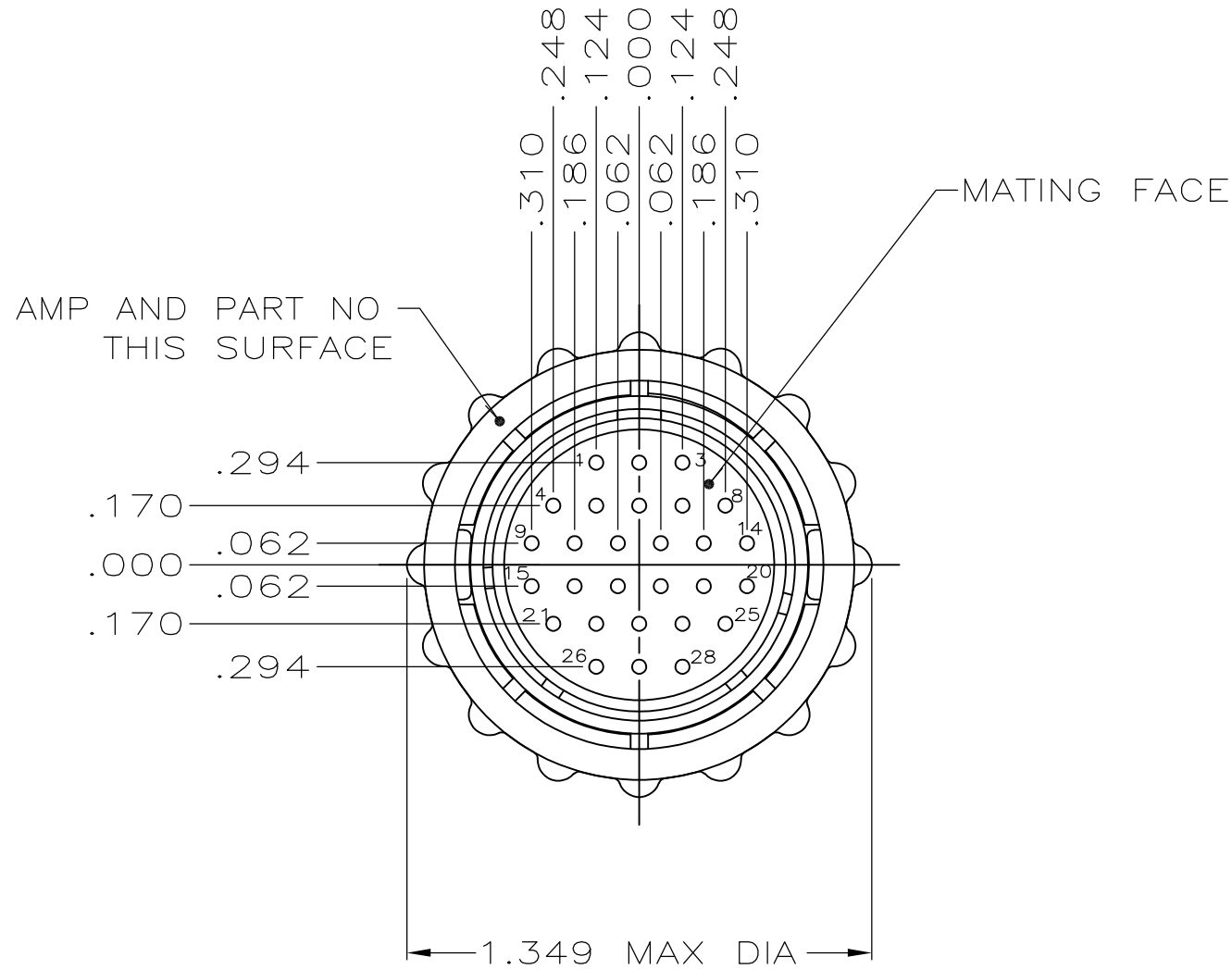
ALL RIGHTS RESERVED.

© COPYRIGHT - By -

LOC FT DIST 4


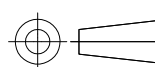
REVISIONS

P	LTR	DESCRIPTION	DATE	DWN	APVD
	F1	REVISED PER ECO-11-004820	11MAR11	RK	HMR



206039-1
PART NUMBER

- CONTACT CAVITIES IDENTIFIED BY CHARACTERS ON FRONT AND REAR FACES OF CONNECTOR.
- WILL ACCEPT (28) SIZE 20 PIN CONTACTS.

THIS DRAWING IS A CONTROLLED DOCUMENT.		DWN A.STAUB BG 4/1/91	 TE Connectivity		
DIMENSIONS: INCHES		CHK W.G.LENKER 7-23-92			
		APVD K.BEAVER 7-23-92	NAME PLUG ASSEMBLY, REV SEX, SERIES 2, 17-28, CPC		
TOLERANCES UNLESS OTHERWISE SPECIFIED:		PRODUCT SPEC 108-10024	SIZE A3		
0 PLC ± -		APPLICATION SPEC -	CAGE CODE 00779	DRAWING NO C-206039	RESTRICTED TO -
1 PLC ± -		WEIGHT -	SCALE 2:1		
2 PLC ± -		CUSTOMER DRAWING	SHEET 1 OF 1		
3 PLC ± .005			REV F1		
4 PLC ± -					
ANGLES ± -					
FINISH -					
MATERIAL SEE CALLOUTS					

单击下面可查看定价，库存，交付和生命周期等信息

[>>TE Connectivity\(泰科\)](#)