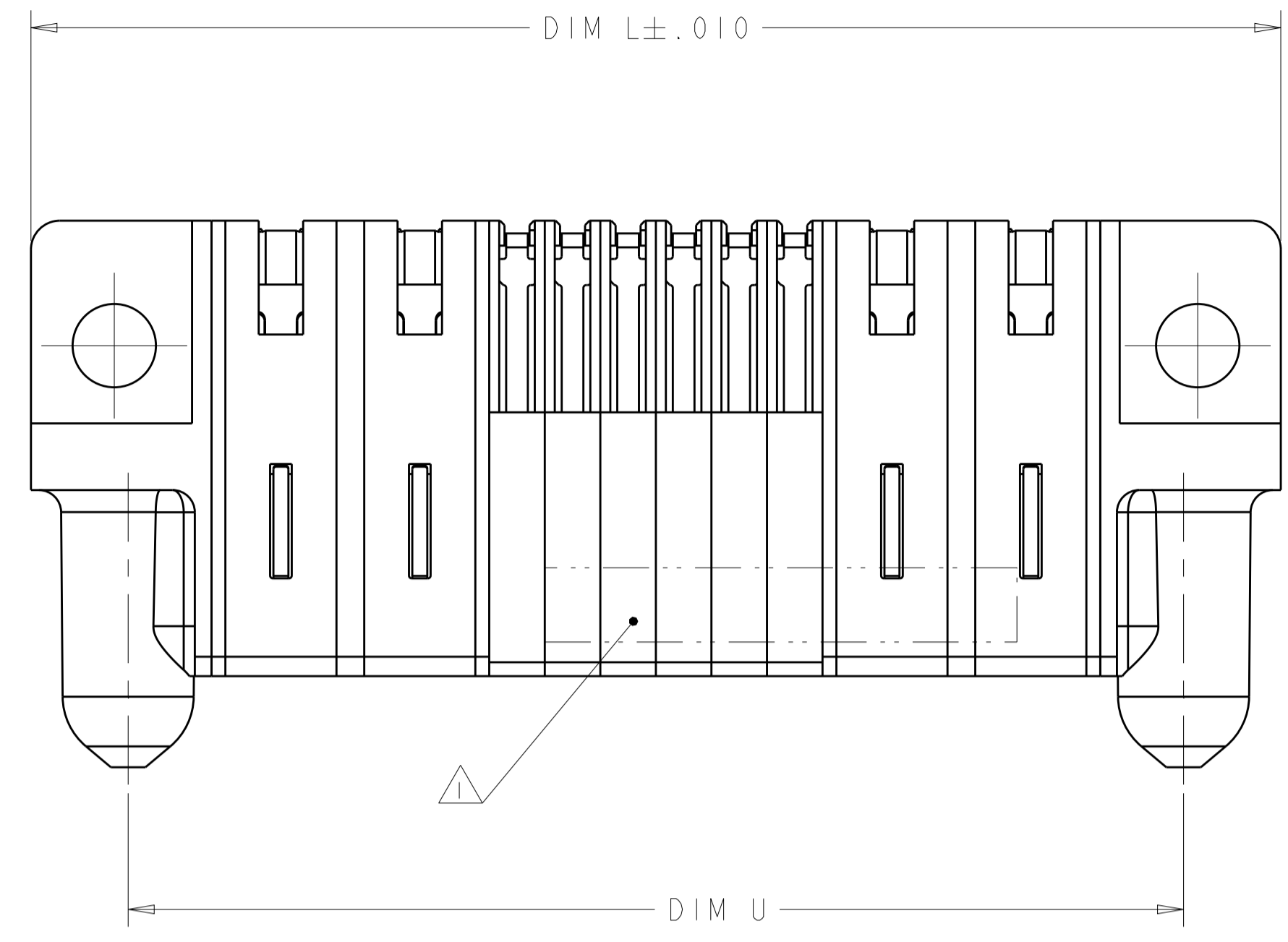
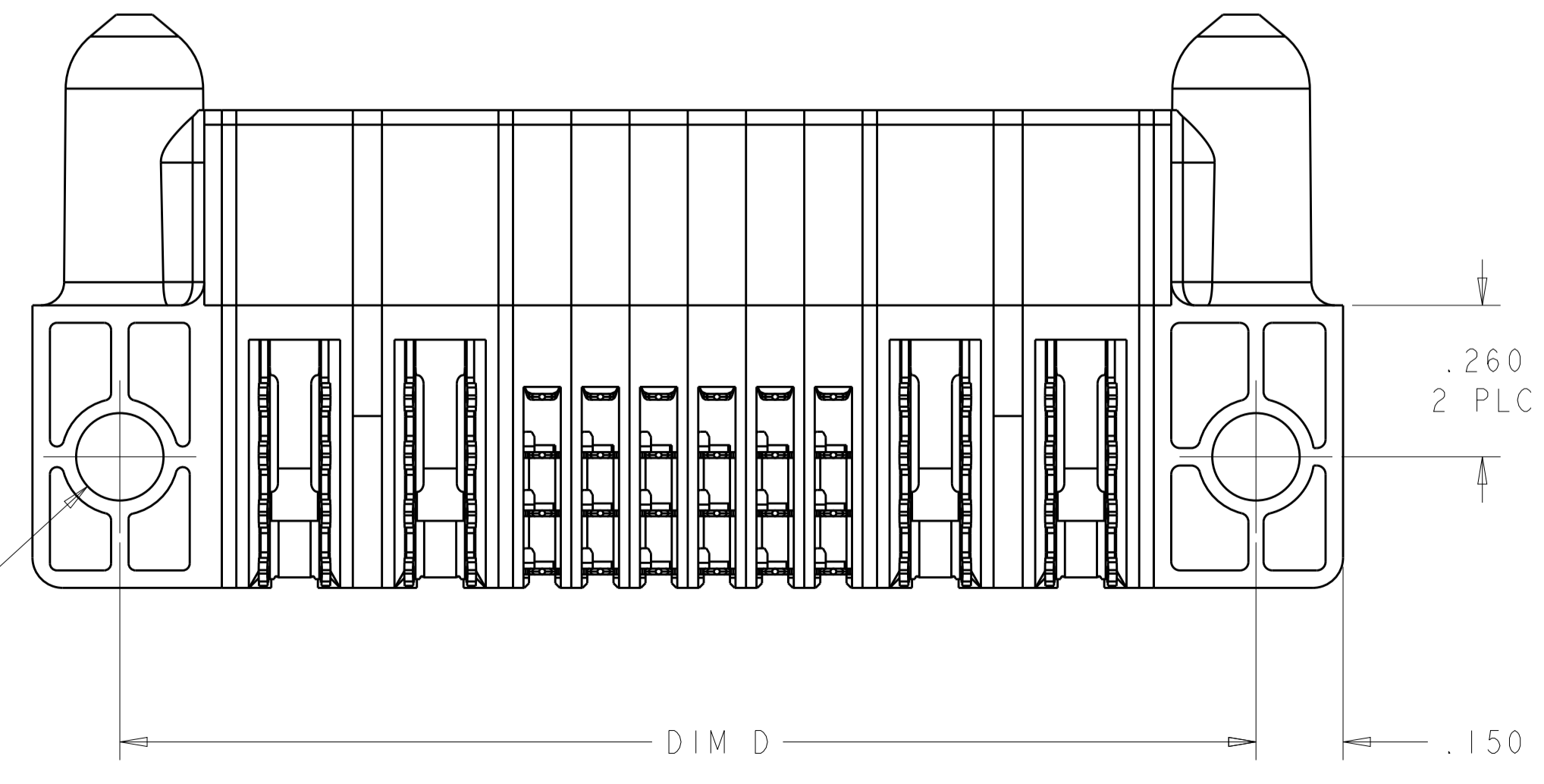
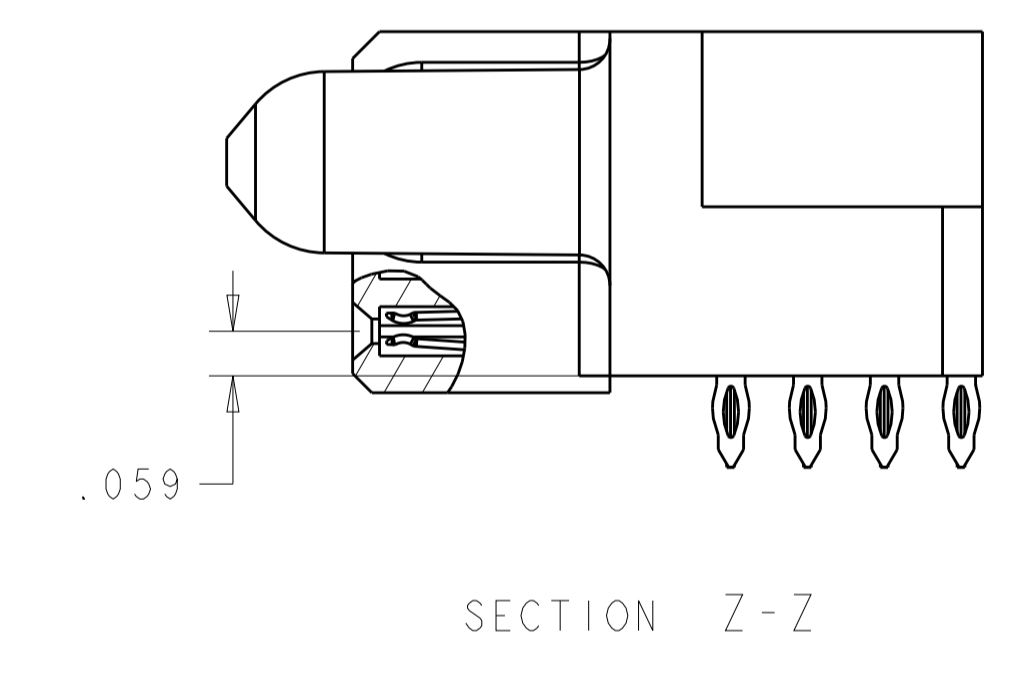
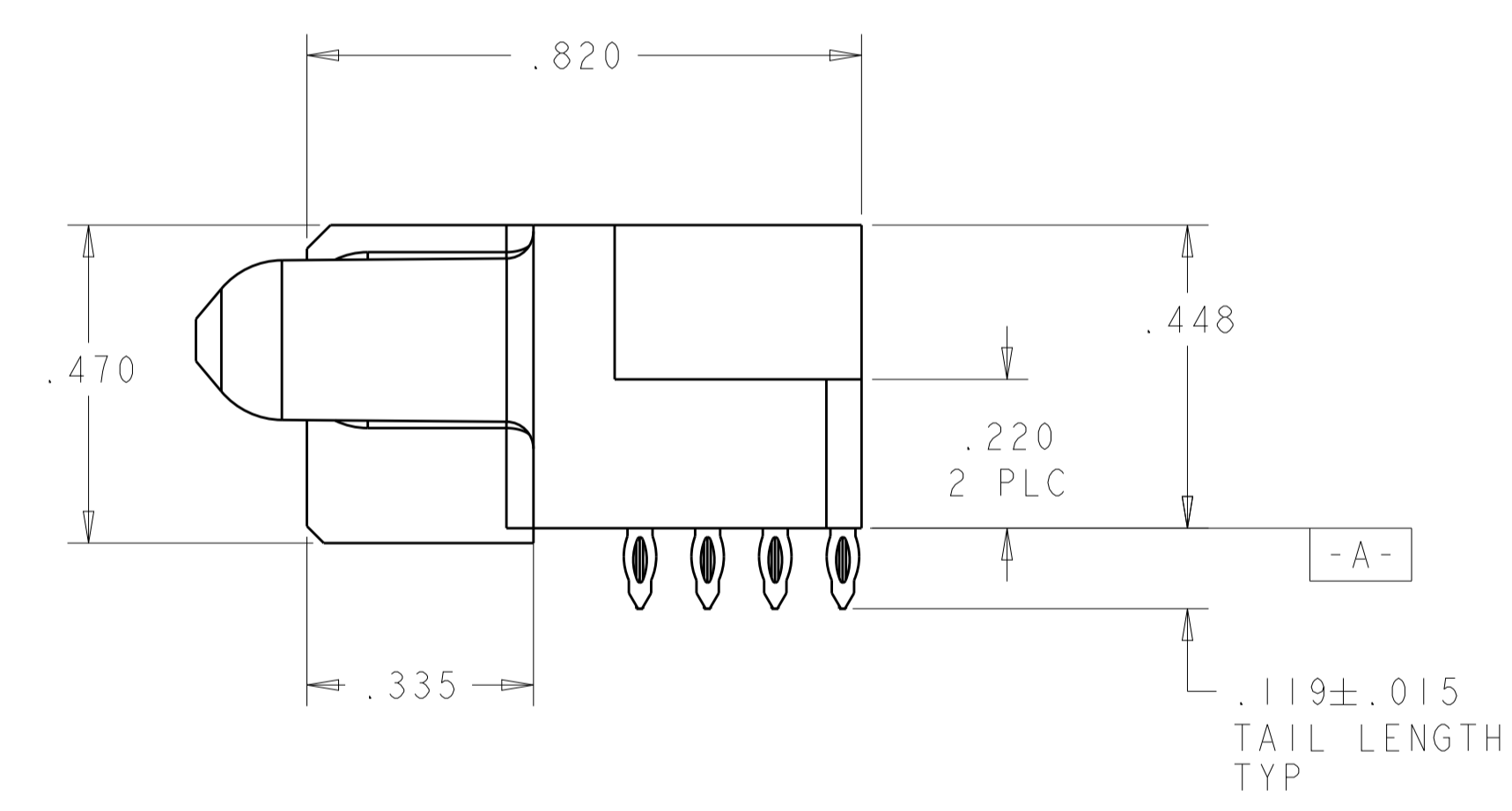
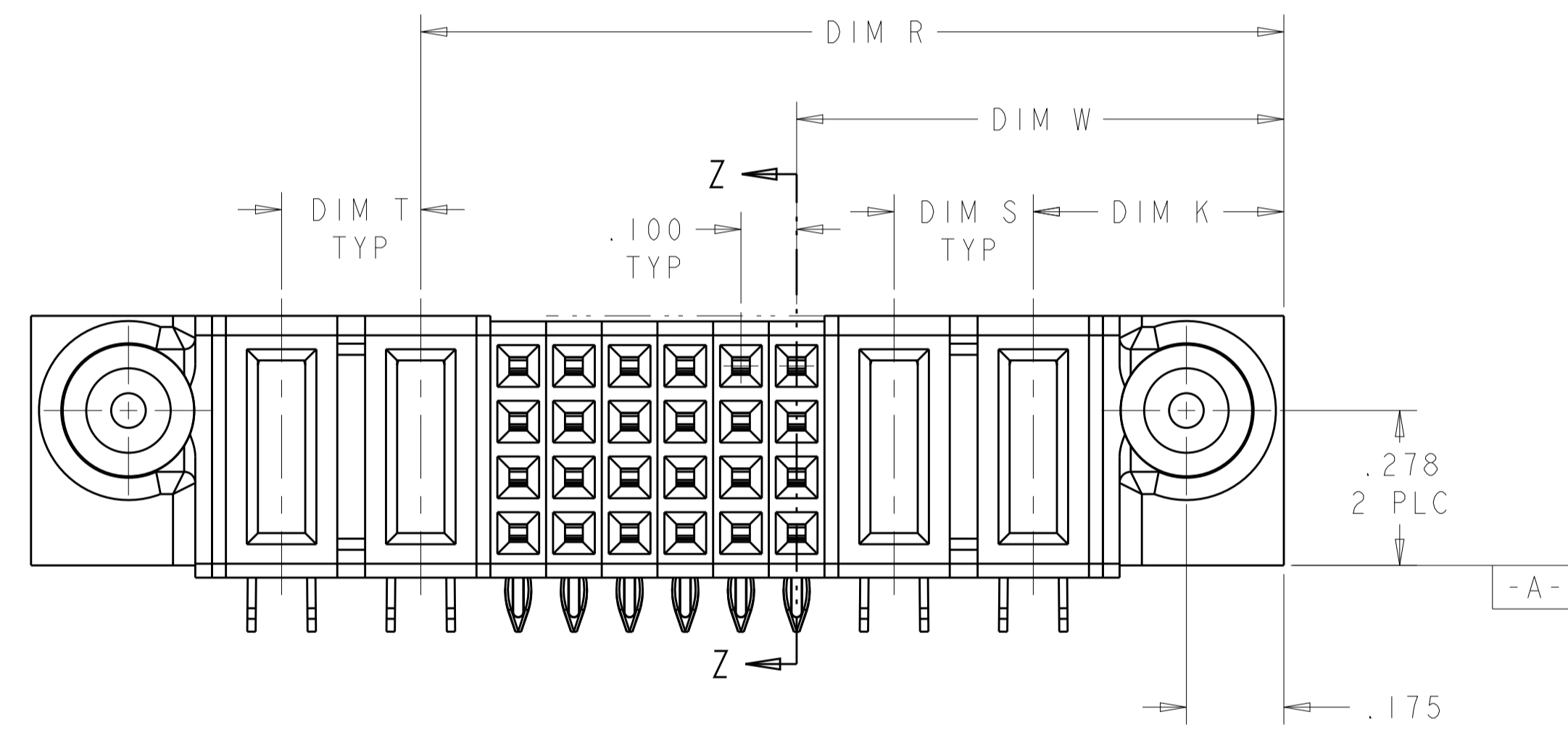


LOC	DIST	REVISIONS			
P	LTN	DESCRIPTION	DATE	DWN	APVD
A2		REV PER ECR-13-004638	20MAR2013	ML	SZ



- ① "AMP", PART NUMBER, AND DATE CODE TO BE MARKED IN AREA SHOWN
- ② MATERIAL: HOUSING - GLASS FILLED HIGH TEMP THERMO PLASTIC, UV94 V-O  
SIGNAL CONTACT - COPPER ALLOY  
POWER CONTACT - HIGH CONDUCTIVITY COPPER ALLOY
- ③ CONTACT PLATING: NOBLE METAL PLATING ON CONTACT FUNCTIONAL AREA OF POWER AND SIGNAL CONTACTS
- ④ MECHANICAL CONNECTOR KEEP OUT ZONE
- ⑤ DATUM AND BASIC DIMENSIONS ESTABLISHED BY CUSTOMER
- ⑥ PCB - ALL HOLE DIAMETERS ARE FINISHED HOLE SIZES
- ⑦ PCB - .0453 ±.0010 DRILLED HOLE PLATED WITH .0003 MIN Sn OVER .001-.003 PLATING TO ACHIEVE A .040 HOLE
- ⑧ POWER CONTACT AREA LUBRICATED WITH LUBRICANT
- ⑨ NOT RELEASED FOR PRODUCTION



⑨	1.900	.250	.250	1.550	.875	1.950	2.250	.450	2P + 24S + 2P	1892550-2
⑨	1.900	.250	.250	1.550	.875	1.950	2.250	.450	2P + 24S + 2P	1892550-1
	U	T	S	R	W	D	L	K	DESCRIPTION	PART NUMBER

THIS DRAWING IS A CONTROLLED DOCUMENT.

DIMENSIONS: INCHES

TOLERANCES UNLESS OTHERWISE SPECIFIED:

0 PLC	±.005
1 PLC	±.01
2 PLC	±.015
3 PLC	±.02
4 PLC	±.025
ANGLES	±.0020

MATERIAL: ② FINISH: ③

Customer Drawing

DWN: C. ZHOU 26MAY2007  
CHK: S. ZHAO 26MAY2007  
APVD: S. YAO

NAME: RIGHT ANGLE RECEPTACLE ASSEMBLY W/ GUIDES, PRESS FIT CONTACT MULTI-BEAM XL

SIZE: A1 CAGE CODE: 100779 DRAWING NO: 1892550

RESTRICTED TO: -

SCALE: 4:1 SHEET 1 OF 2 REV: A2



单击下面可查看定价，库存，交付和生命周期等信息

[>>TE Connectivity\(泰科\)](#)