

THIS DRAWING IS UNPUBLISHED. RELEASED FOR PUBLICATION
 © COPYRIGHT - By - ALL RIGHTS RESERVED.

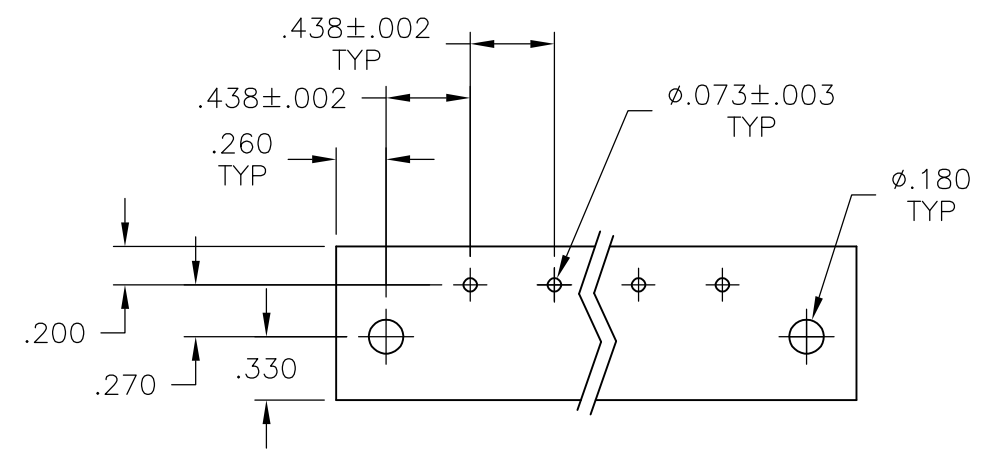
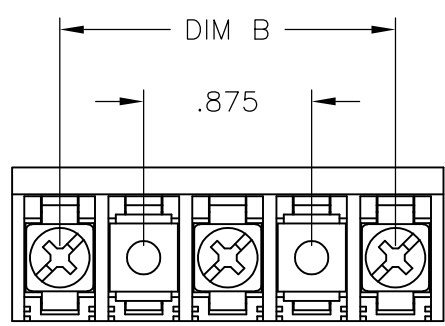
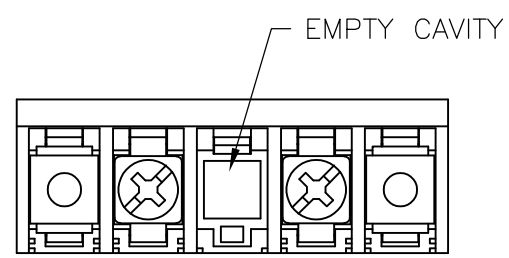
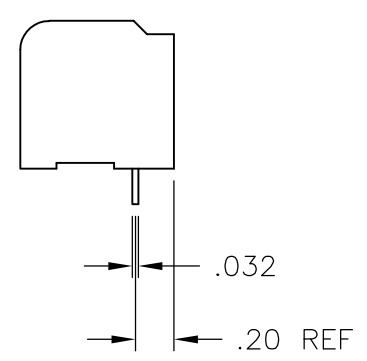
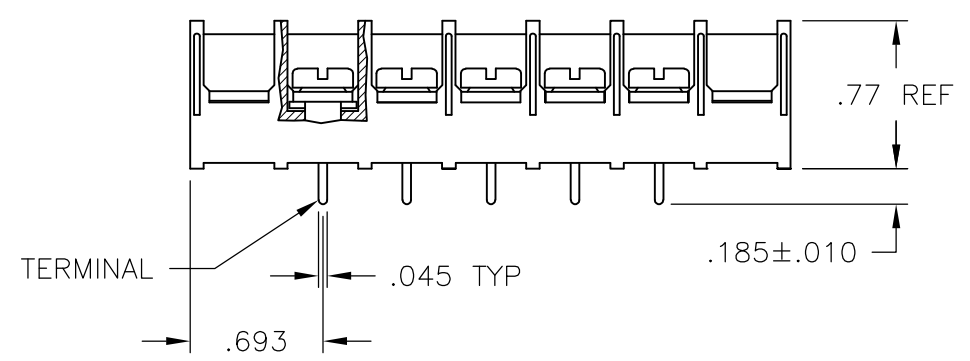
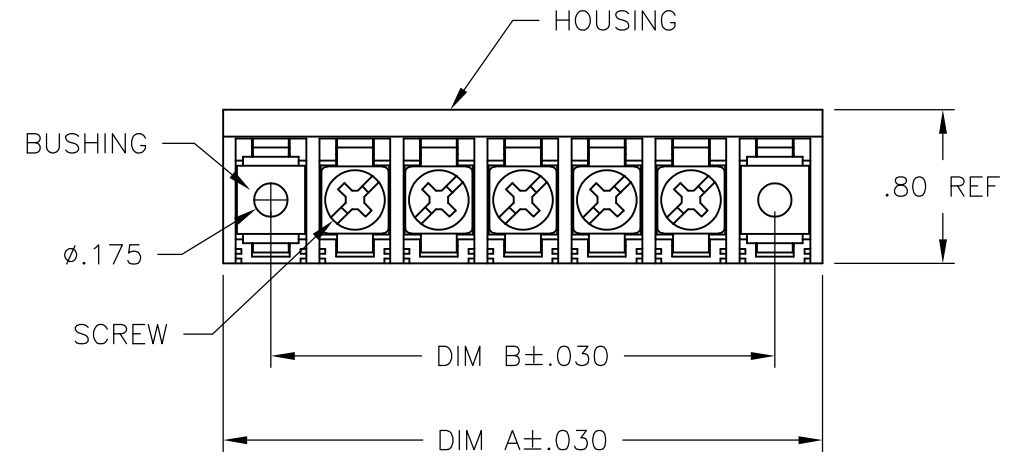
LOC FT	DIST 0	REVISIONS			
P	LTR	DESCRIPTION	DATE	DWN	APVD
	F2	REVISED PER ECO-11-004820	11MAR11	RK	HMR

MATERIALS:
 HOUSING: THERMOPLASTIC, UL94V-0, BLACK.
 TERMINAL: COPPER ALLOY, PLATING BRIGHT TIN OVER NICKEL.
 SCREWS: 8-32 ZINC PLATED STEEL.

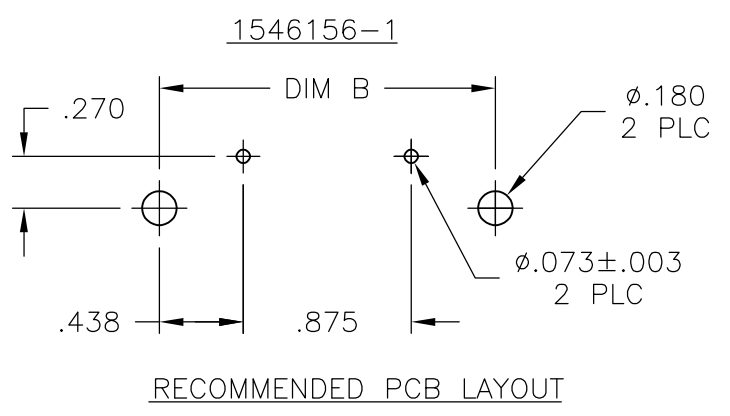
ELECTRICAL:
 CURRENT RATING: 30A
 VOLTAGE RATING: 600V
 WIRE RANGE: 10-18 AWG (UL)
 10-22 AWG (CSA)

MECHANICAL:
 RECOMMENDED TORQUE: 20 IN-LB.
 OPERATING TEMP.: -40°C TO +120°C.

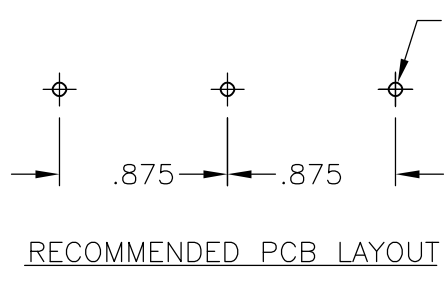
1 SCREWS TO BE BOTTOMED.



RECOMMENDED PCB LAYOUT



RECOMMENDED PCB LAYOUT



RECOMMENDED PCB LAYOUT


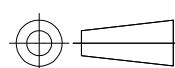
THIS DRAWING IS A CONTROLLED DOCUMENT.		DWN S SCHLEGEL 2/25/03	TE Connectivity		
DIMENSIONS: INCHES		CHK H WAKEEM 2/25/03			
TOLERANCES UNLESS OTHERWISE SPECIFIED:		APVD H WAKEEM 2/25/03	NAME		
0 PLC ± -		PRODUCT SPEC	8PCV-XX-008 ASSEMBLY		
1 PLC ± -		APPLICATION SPEC	SIZE	CAGE CODE	DRAWING NO
2 PLC ± .01		—	A3	00779	C-7-1437657-1
3 PLC ± .005		—	RESTRICTED TO		
4 PLC ± -		—	—		
ANGLES ± 1°		WEIGHT	—		
MATERIAL		CUSTOMER DRAWING			
FINISH		SCALE 1:1		SHEET 1 OF 2	
—		REV F2		—	

THIS DRAWING IS UNPUBLISHED. RELEASED FOR PUBLICATION
 © COPYRIGHT - By - ALL RIGHTS RESERVED.

LOC	DIST	REVISIONS					
FT	0	P	LTR	DESCRIPTION	DATE	DWN	APVD
		-		SEE SHEET 1	-	-	-

DIM B	DIM A	NO OF POS	CATALOG NUMBER	PART NO
8.312	8.822	18	8PCV-18-008	1-1546570-8
7.875	8.385	17	8PCV-17-008	1-1546570-7
7.437	7.947	16	8PCV-16-008	1-1546570-6
7.000	7.510	15	8PCV-15-008	1-1546570-5
6.562	7.072	14	8PCV-14-008	1-1546570-4
6.125	6.635	13	8PCV-13-008	1-1546570-3
5.687	6.197	12	8PCV-12-008	7-1546159-6
5.250	5.760	11	8PCV-11-008	1-1546570-1
4.812	5.322	10	8PCV-10-008	7-1546159-3
4.375	4.885	9	8PCV-09-008	3-796615-1
3.937	4.447	8	8PCV-08-008	2-796615-9
3.500	4.010	7	8PCV-07-008	3-796615-0
3.062	3.572	6	8PCV-06-008	1437658-2
2.625	3.135	5	8PCV-05-008	9-1437657-1
2.187	2.697	4	8PCV-04-008	8-1437657-1
1.750	2.260	3	8PCV-03-534	7-1437657-3
1.750	2.260	3	8PCV-03-008	7-1437657-1
1.312	1.822	2	8PCV-02-SPCL	1546156-1
1.312	1.822	2	8PCV-02-008	1-1437660-6

SEE FIGURE
SEE FIGURE

THIS DRAWING IS A CONTROLLED DOCUMENT.		DWN S SCHLEGEL 2/25/03	 TE Connectivity		
DIMENSIONS: INCHES 		CHK H WAKEEM 2/25/03			
TOLERANCES UNLESS OTHERWISE SPECIFIED: 0 PLC ± - 1 PLC ± - 2 PLC ± .01 3 PLC ± .005 4 PLC ± - ANGLES ± 1°		APVD H WAKEEM 2/25/03	8PCV-XX-008 ASSEMBLY		
MATERIAL		PRODUCT SPEC	RESTRICTED TO		
FINISH		APPLICATION SPEC	SIZE	CAGE CODE	DRAWING NO
		WEIGHT	A3	00779	C-7-1437657-1
CUSTOMER DRAWING			SCALE	SHEET	REV
			1:1	2 OF 2	F2

单击下面可查看定价，库存，交付和生命周期等信息

[>>TE Connectivity\(泰科\)](#)