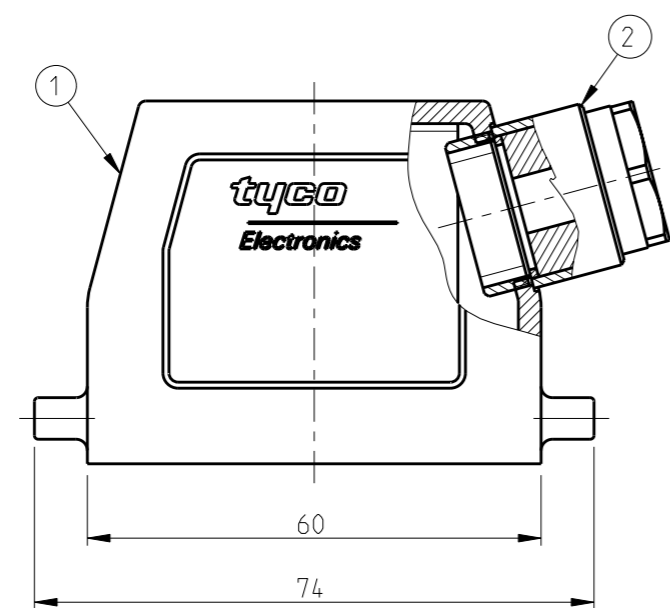


THIS DRAWING IS UNPUBLISHED. RELEASED FOR PUBLICATION 1999
 © COPYRIGHT 1998 BY TYCO ELECTRONICS CORPORATION. ALL RIGHTS RESERVED.

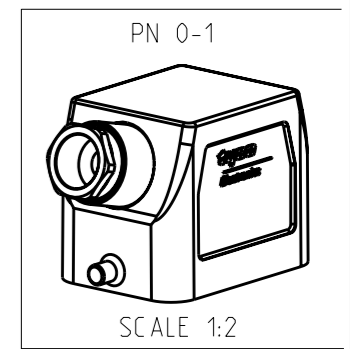
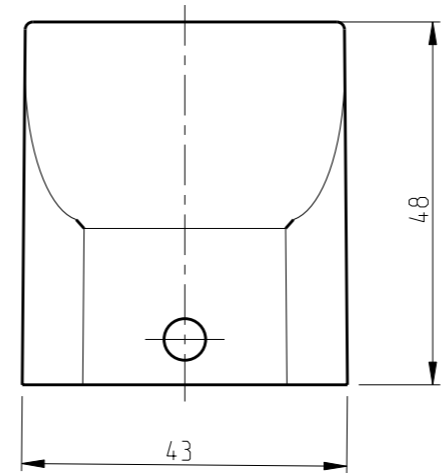
LOC	DIST	REVISIONS					
		P	LTR	DESCRIPTION	DATE	DWN	APVD
A1			A2	Released as per ECR-07-030416	17.12.07	SP	TS

Notes

- 1 Material: Housing: Aluminium diecasting alloy
- 2 Surface:- Varnish-grey
- 3 Varnish on the inside not necessary
- 4 Packaging
Packaging quantity: 5 pieces in box



PN0-1



QTY	DESCRIPTION	MATERIAL	SURFACE	COLOR	ITEM NO	NOTES
1	Cable connection round	Brass	Nickle plated	Blue	2	PG13
1	Hood HB	Aluminium	-	Grey	1	

ORDERING TEXT
HB.6.STS.1.13

<small>THIS DRAWING IS A CONTROLLED DOCUMENT FOR TYCO ELECTRONICS CORPORATION IT IS SUBJECT TO CHANGE AND THE CONTROLLING ENGINEERING ORGANIZATION SHOULD BE CONTACTED FOR THE LATEST REVISION.</small>		DWN	Schneider	26.11.02	Tyco Electronics Tyco Electronics,AMP,GmbH D-53819,Neunkirchen,Germany
DIMENSIONS: mm		CHK	Schweiger	26.11.02	
		APVD			
TOLERANCES UNLESS OTHERWISE SPECIFIED: n.ISO 8015 n.ISO 2768-mH-E n.DIN 15001-120		PRODUCT SPEC		NAME Hood HB.6.STS.1.13	
0 PLC ± 1 PLC ± 2 PLC ± 3 PLC ± 4 PLC ± ANGLES ±		APPLICATION SPEC		RESTRICTED TO	
MATERIAL		WEIGHT		SIZE	A3
FINISH		CUSTOMER DRAWING		CAGE CODE	00779
				DRAWING NO	©=1108574
				SCALE	1:1
				SHEET	1 OF 1
				REV	A2

单击下面可查看定价，库存，交付和生命周期等信息

[>>TE Connectivity\(泰科\)](#)