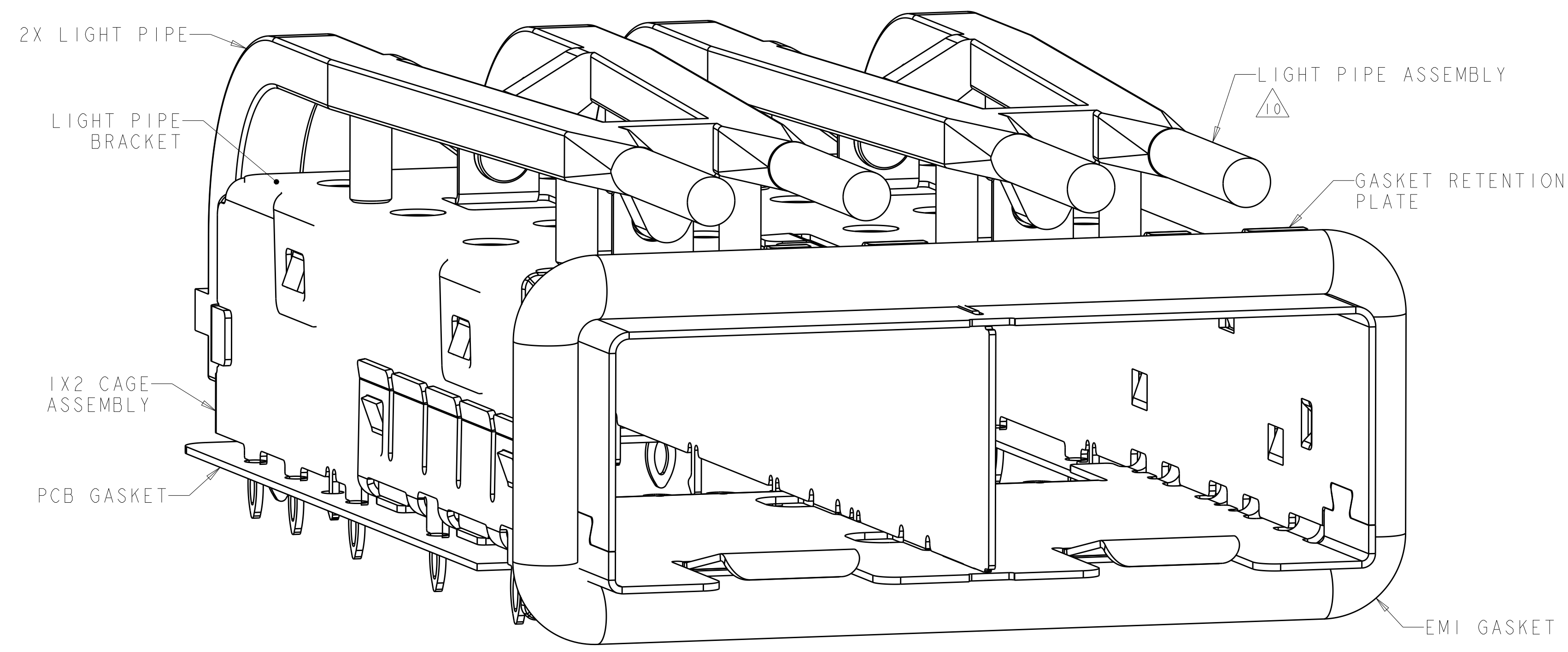
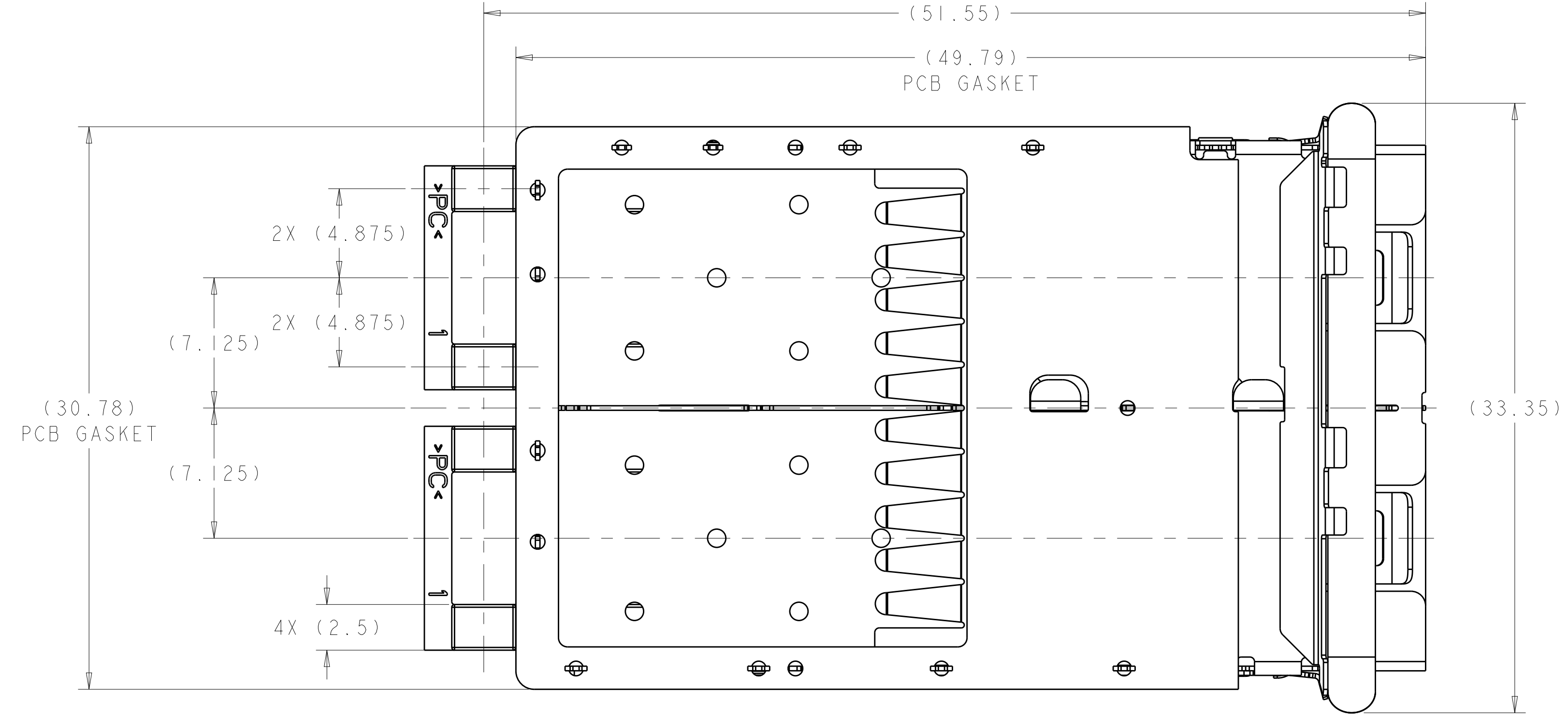
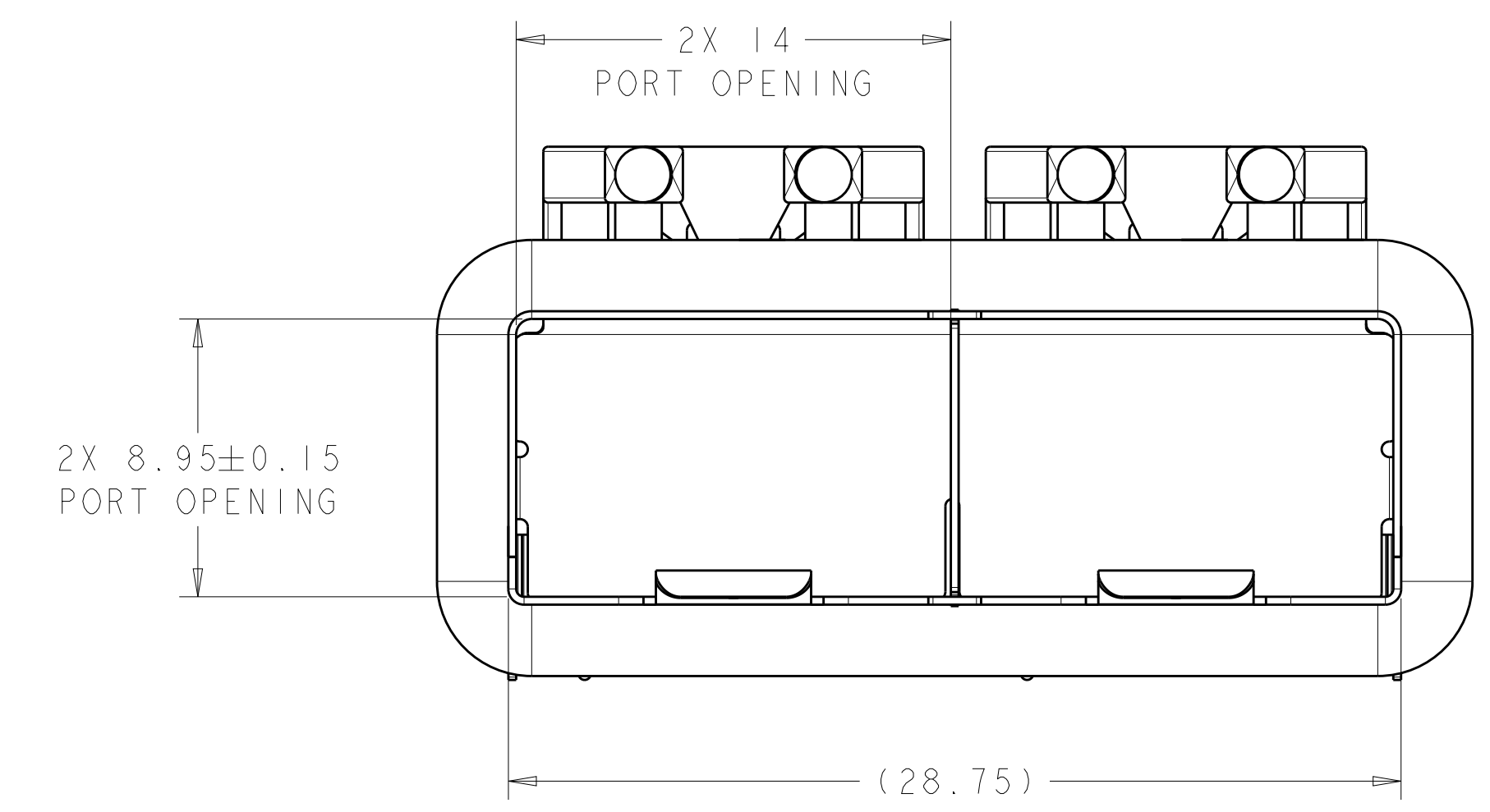
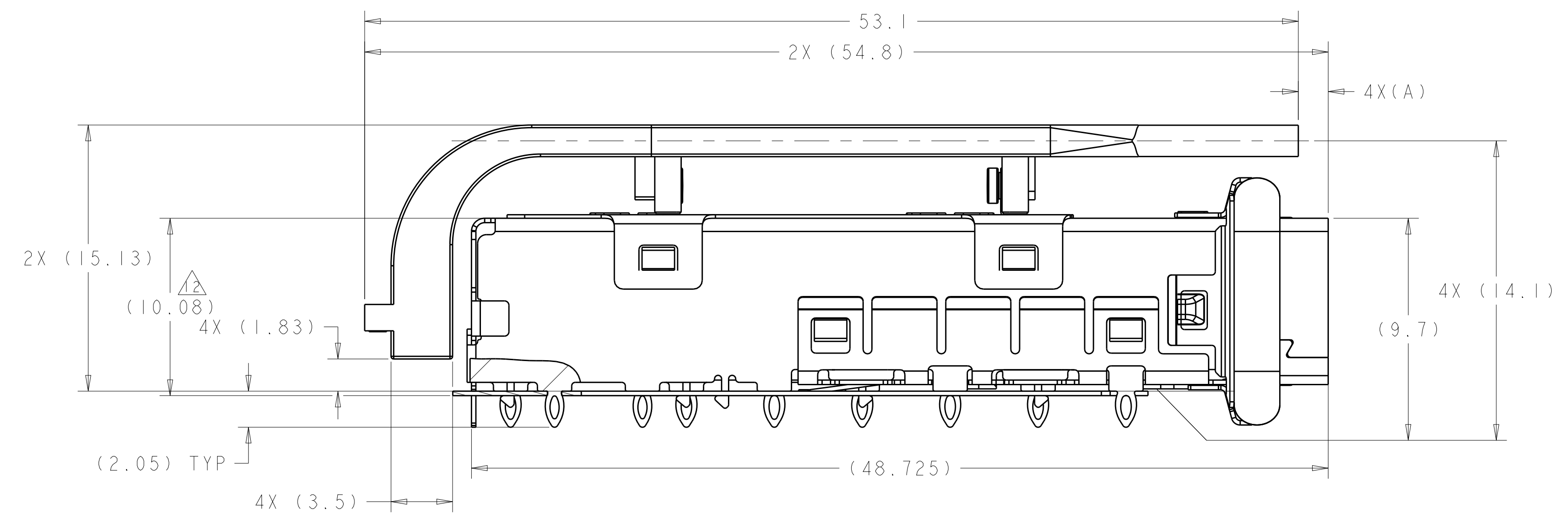


LOC	DIST	REVISIONS			
P	LTN	DESCRIPTION	DATE	DWN	APVD
A		REVISED PER ECO-15-002647	05MAR2015	AP	MS
B		REVISED PER ECO-16-014593	13FEB2017	JW	SH



- 1 MATERIAL:  
 CAGE ASSEMBLY: NICKEL SILVER ALLOY, (0.25mm)  
 GASKET RETENTION PLATE: STAINLESS STEEL  
 EMI GASKET: PLATED FILLED SILICONE  
 PCB GASKET: RF ABSORBER  
 LIGHT PIPE BRACKET: STAINLESS STEEL  
 LIGHT PIPE: POLYCARBONATE, CLEAR
- 2 MINIMUM PC BOARD THICKNESS:  
 SINGLE SIDED = 1.45mm  
 BELLY TO BELLY = 3mm
- 3 PADS AND VIAS CHASSIS GROUND
- 4 DATUM AND BASIC DIMENSION ESTABLISHED BY CUSTOMER
- 5. MATES WITH SFP MSA COMPLIANT TRANSCEIVERS
- 6. INTERPRETATION OF DATUM REFERENCE FRAME IN ACCORDANCE WITH SECT 4.4.1.1 OF ASME Y14.5M-1994
- 7 REFERENCE APPLICATION SPEC. 114-13120, HOLE A, FOR RECOMMENDED DRILL HOLE DIAMETER AND PLATING THICKNESS
- 8 REFERENCE APPLICATION SPEC. 114-13120, HOLE B, FOR RECOMMENDED DRILL HOLE DIAMETER AND PLATING THICKNESS
- 9 HOLE PATTERN REPEATS FOR EACH PORT, SPACING BETWEEN PORTS IS 14.25mm
- 10 LIGHT PIPE ASSEMBLY SHIPPED UNASSEMBLED TO CAGE ASSEMBLY, CAGE ASSEMBLY TO BE PRESSED INTO THE PCB PRIOR TO ATTACHING LIGHT PIPE ASSEMBLY TO CAGE
- 11. PRODUCT COMPLIES WITH SPECIFICATION SFF-8433, IMPROVED PLUGGABLE FORM FACTOR FOR SFP+ GANGED CAGES
- 12 CONTACT STANDOFF WILL PIERCE GASKET WHEN PROPERLY PRESSED INTO PCB

2198719-1  
SCALE 8:1



3.5	2198719-2
1.7	2198719-1
DIM A	PART NUMBER

THIS DRAWING IS A CONTROLLED DOCUMENT.

DIMENSIONS: mm

TOLERANCES UNLESS OTHERWISE SPECIFIED:

0 PLC	±0.25
1 PLC	±0.25
2 PLC	±0.25
3 PLC	±0.25
4 PLC	±0.25
ANGLES	±0.25

MATERIAL: SEE NOTES

FINISH: -

Customer Drawing

DWN: M.E. CONNER 05FEB2013  
 CHK: M.D. MORRISON 05FEB2013  
 APVD: M.J. PHILLIPS 05FEB2013

NAME: CAGE ASSEMBLY WITH LIGHT PIPES, ENHANCED, PRESS-FIT, 1X2, zSFP+

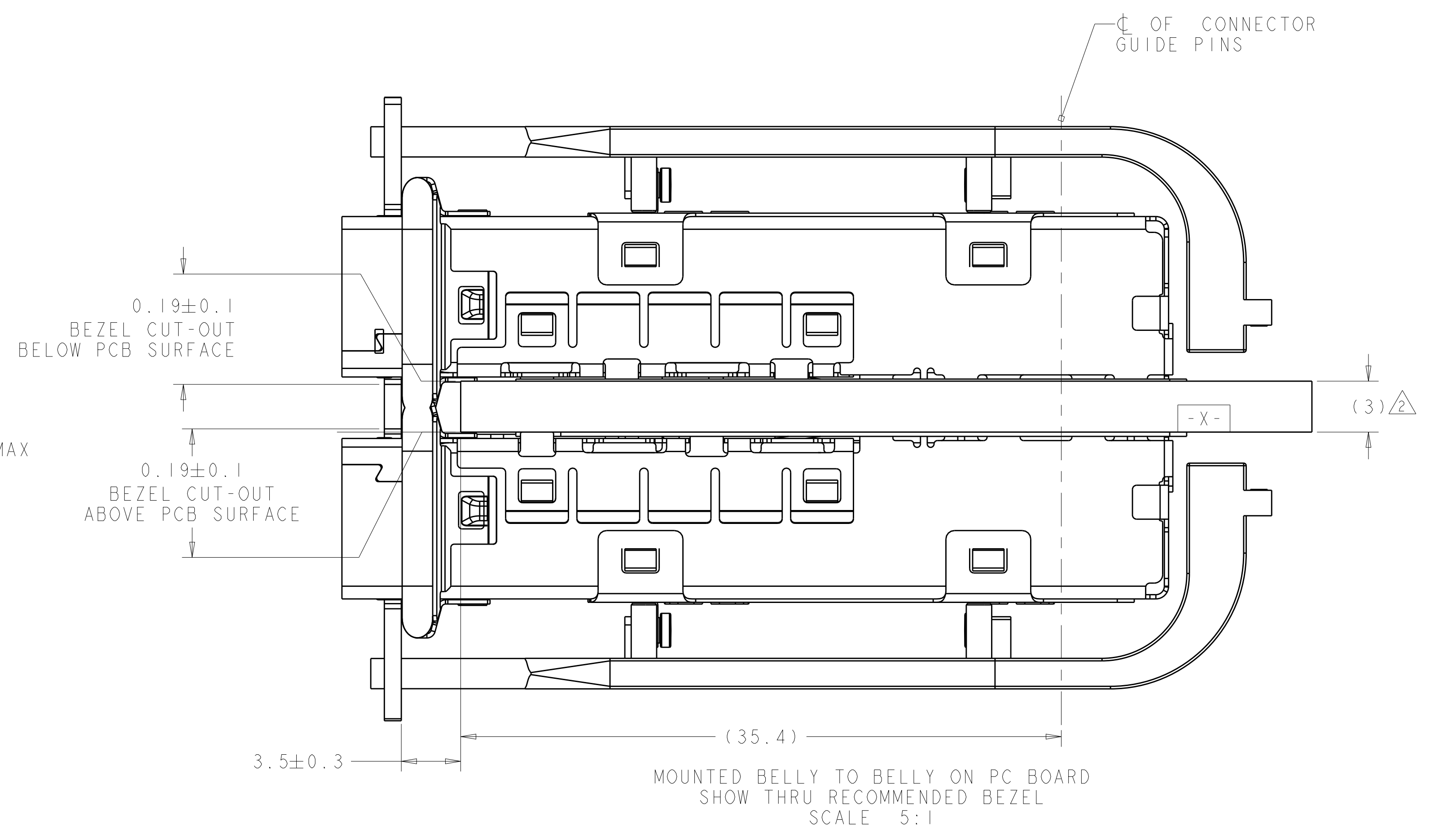
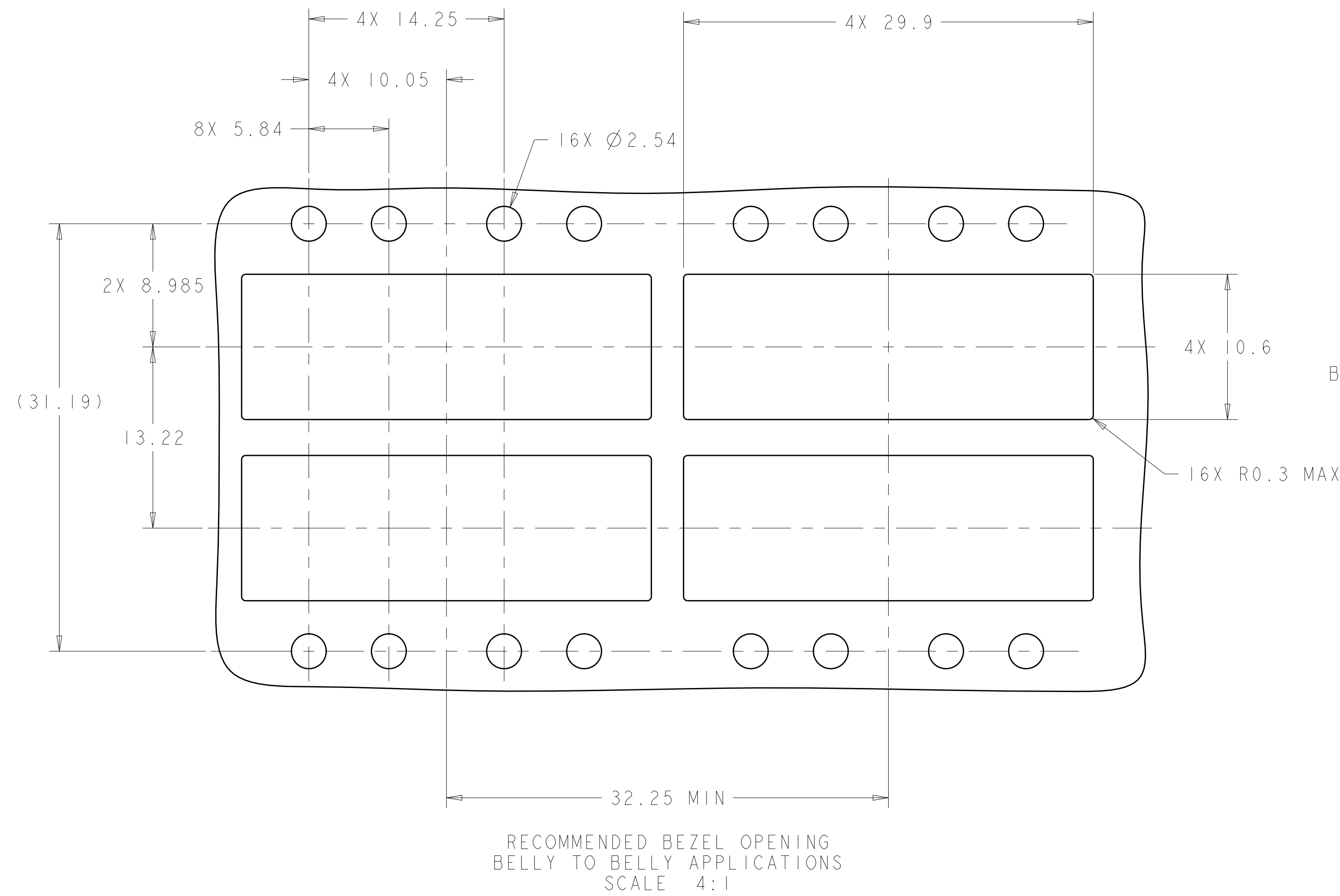
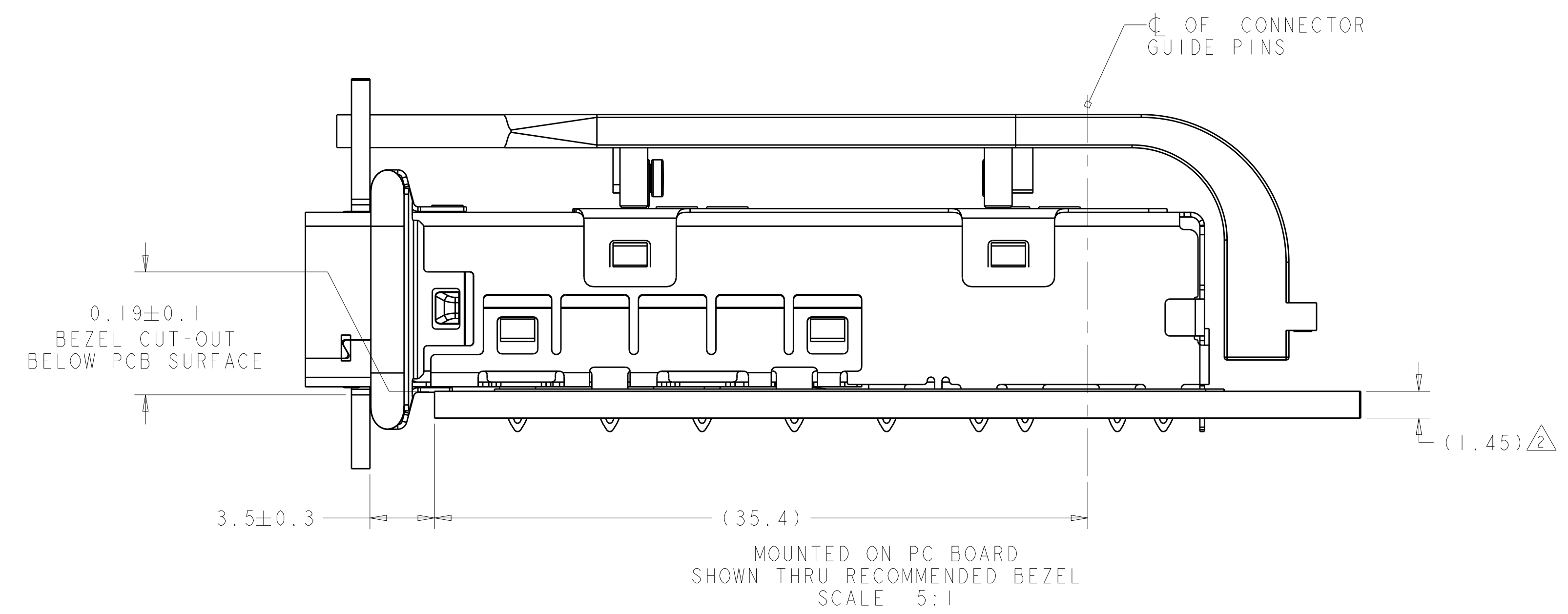
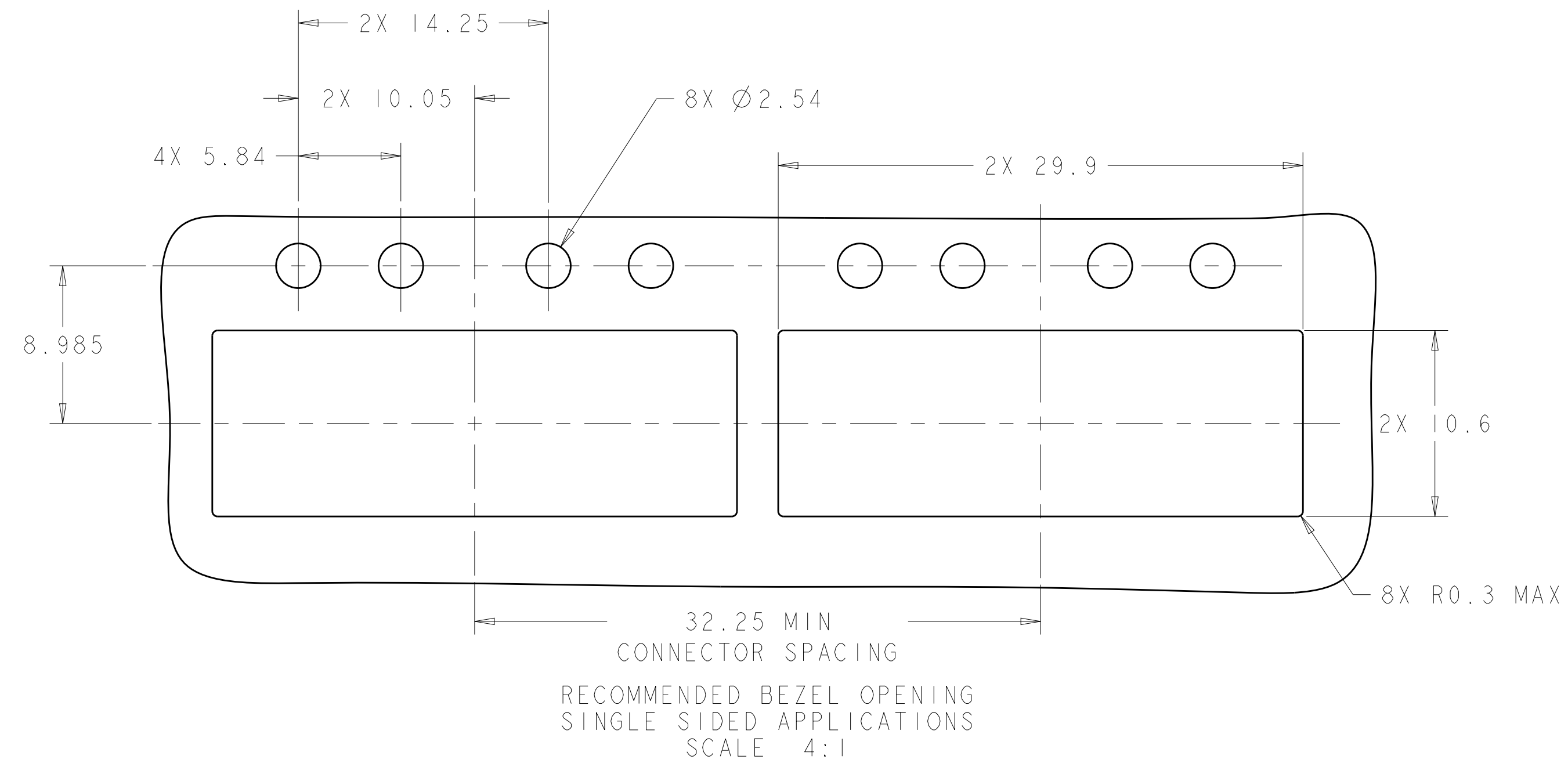
PRODUCT SPEC: 108-2364  
 APPLICATION SPEC: 114-13120

SIZE: A1  
 CAGE CODE: 00779  
 DRAWING NO: 2198719

RESTRICTED TO: -

SCALE: 5:1 SHEET 1 OF 4 REV B

LOC		DIST		REVISIONS			
GP	00	P	LTN	DESCRIPTION	DATE	DMN	APVD
		-		SEE SHEET 1			

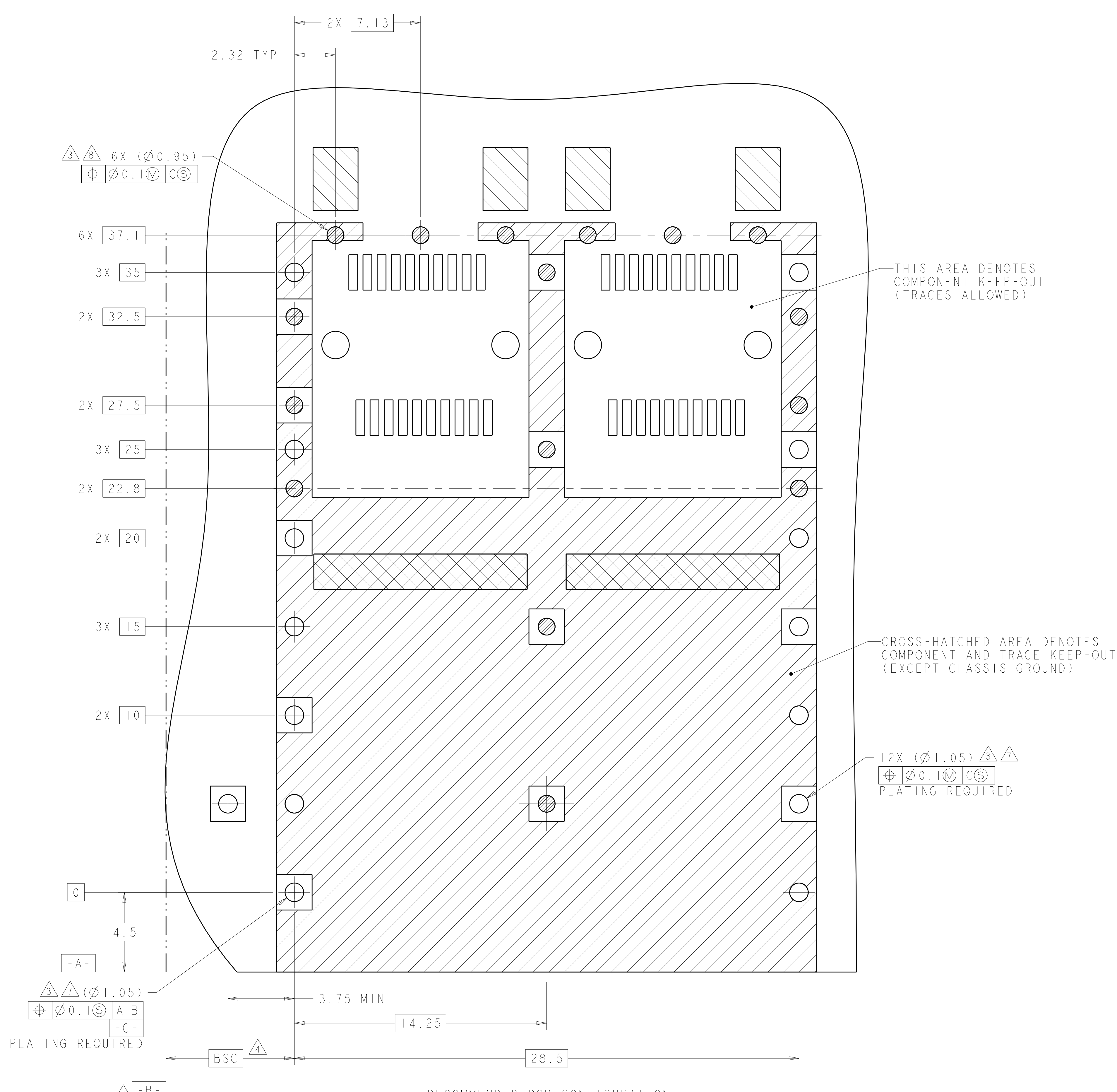


THIS DRAWING IS A CONTROLLED DOCUMENT.		DMN M.E. CONNER 05FEB2013	TE Connectivity
DIMENSIONS: mm		CHK M.D. MORRISON 05FEB2013	
TOLERANCES UNLESS OTHERWISE SPECIFIED:		APVD M.J. PHILLIPS 05FEB2013	NAME CAGE ASSEMBLY WITH LIGHT PIPES, ENHANCED, PRESS-FIT, 1X2, zSFP+
0 PLC ±0.1 1 PLC ±0.1 2 PLC ±0.08 3 PLC ±0.05 4 PLC ±0.05 ANGLES ±1°		PRODUCT SPEC 108-2364	SIZE 114-13120
MATERIAL SEE NOTES		APPLICATION SPEC 114-13120	RESTRICTED TO
		WEIGHT	A100779C=2198719
		Customer Drawing	SCALE 6:1 SHEET 2 OF 4 REV B





LOC	DIST	REVISIONS					
GP	00	P.	LTN	DESCRIPTION	DATE	OWN	APVD
		-		SEE SHEET 1			



RECOMMENDED PCB CONFIGURATION  
 WITH KEEP-OUT AREAS FOR BELLY TO BELLY APPLICATION  
 SAME AS SINGLED SIDED APPLICATION, EXCEPT AS SHOWN  
 SCALE 8:1

THIS DRAWING IS A CONTROLLED DOCUMENT.		OWN: M.E. CONNER 05FEB2013	TE Connectivity
DIMENSIONS: mm		CHK: M.D. MORRISON 05FEB2013	
		APVD: M.J. PHILLIPS 05FEB2013	NAME: CAGE ASSEMBLY WITH LIGHT PIPES, ENHANCED, PRESS-FIT, 1X2, zSFP+
TOLERANCES UNLESS OTHERWISE SPECIFIED:		PRODUCT SPEC: 108-2364	SIZE: A1
0 PLC ±0.1		APPLICATION SPEC: 114-13120	CAGE CODE: 00779
1 PLC ±0.1		WEIGHT: -	DRAWING NO: C=2198719
2 PLC ±0.08		RESTRICTED TO: -	SCALE: 6:1
3 PLC ±0.05		Customer Drawing	SHEET 4 OF 4
4 PLC ±0.05			REV B
ANGLES ±1°			
FINISH: -			
MATERIAL: SEE NOTES			

单击下面可查看定价，库存，交付和生命周期等信息

[>>TE Connectivity\(泰科\)](#)