

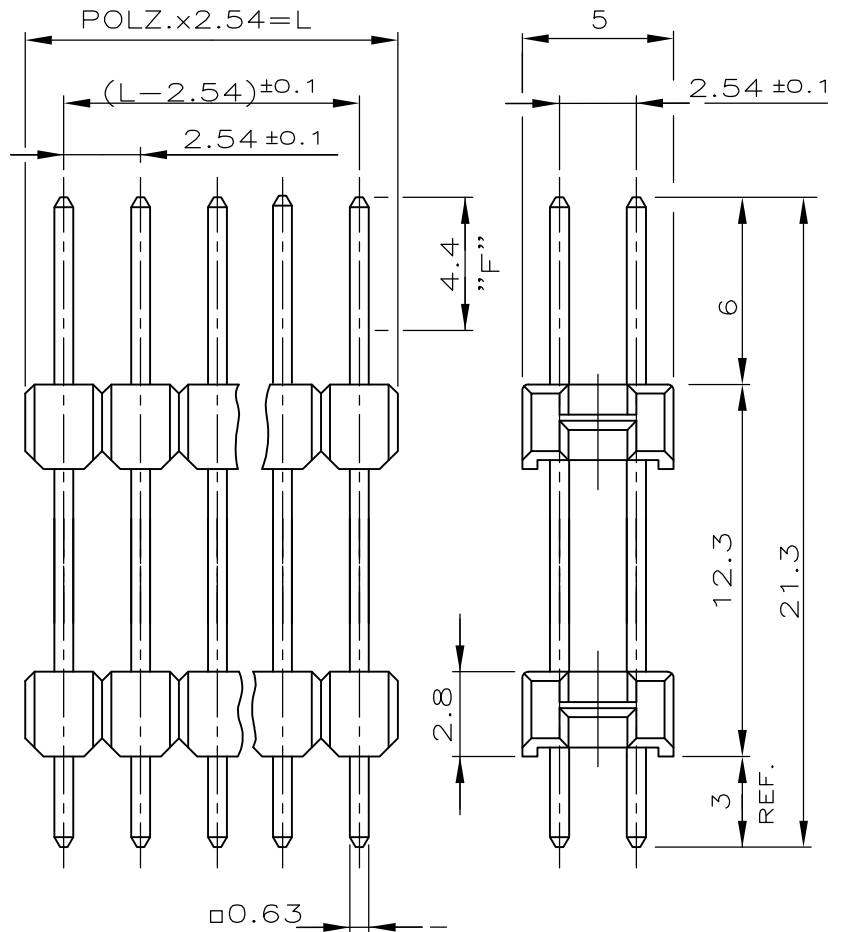
LOC	DIST	REVISIONS			
P	LTR	DESCRIPTION	DATE	DWN	APVD
	E	Contact pin base material change from CuSn (Phosphor bronze) to CuZn (Brass). Plating change from MIN. 0.8µm gold plating to min. 0.7µm Pd Ni + 0.1µm gold flash at contact area (Area F).	22JUL2014	TJ	JK

VERWENDET FÜR  
E 88-52 549

POLZ. PRO REIHE	L±0.4	BESTELL-NR.
-	-	-
2	5.08	-2
3	7.62	-3
4	10.16	-4
5	12.70	-5
6	15.24	△3 -6
7	17.78	-7
8	20.32	△2 -8
9	22.86	△3 -9
10	25.40	△2 1 -0
11	27.94	△3 1 -1
12	30.48	1 -2
13	33.02	△2 1 -3
14	35.56	△3 1 -4
15	38.10	△2 1 -5
16	40.64	1 -6
17	43.18	1 -7
18	45.72	△3 1 -8
19	48.26	△3 1 -9
20	50.80	2 -0
21	53.34	△2 2 -1
22	55.88	△3 2 -2
23	58.42	2 -3
24	60.96	△3 2 829192 4
25	63.50	△2 2 -5
26	66.04	△2 2 -6
27	68.58	△3 2 -7
28	71.12	2 -8
29	73.66	△3 2 -9
30	76.20	3 -0
31	78.74	△3 3 -1
32	81.28	△3 3 -2
33	83.82	△3 3 -3
34	86.36	△3 3 -4
35	88.90	△3 3 -5
36	91.44	△3 3 -6
37	93.98	△3 3 -7
38	96.52	△3 3 -8
39	99.06	△3 3 -9
40	101.60	4 -0
41	104.14	△3 4 -1
42	106.68	△3 4 -2
43	109.22	△3 4 -3
44	111.76	△3 4 -4
45	114.30	△3 4 -5
46	116.84	4 -6
47	119.38	△3 4 -7
48	121.92	△3 4 -8
49	124.46	△3 4 -9
50	127.00	△2 5 -0

NICHT VERMASSTE KANTEN SIND NICHT MAßSTÄBLICH

- △1 STECKSEITE: IM BEREICH "F" 0.7µm PdNi+0.1µm GOLD FLASH ÜBER 1.27µm NICKEL
- LÖTSEITE: MIN. 2.5µm ZINN ÜBER 1.27µm NICKEL
- △2 OBSOLETE
- △3 OBSOLETE PARTS: OBSOLETE CIS STREAMLINING PER D.RENAUD/D.SINISI



KONTAKTSTIFT	CuZn	△1
STIFTGEHÄUSE	PBT	GRÜN
BENENNUNG	WERKSTOFF	OBERFLÄCHE FARBE

ZEICHNUNG GÜLTIG AB KW 26/90

THIS DRAWING IS UNPUBLISHED. ALL RIGHTS RESERVED. RELEASED FOR PUBLICATION.

DIMENSIONS: mm	DWN	28.09.88	MATERIAL	SEE TABLE	FINISH	SEE TABLE
	CHK	28.09.88				
TOLERANCES UNLESS OTHERWISE SPECIFIED:	M.SCHAARSCHMIDT					
APVD	-		NAME	SPEZ. AMPMODU II STIFTLISTE ZWEIREIHIG LOW COST LINE		
PRODUCT SPEC	108-18012		SIZE	CAGE CODE	DRAWING NO	RESTRICTED TO
APPLICATION SPEC	-		A4	00779	C-829192	-
WEIGHT	-		CUSTOMER DRAWING	SCALE	4:1	SHEET 1 OF 1
0 PLC ±0.2 mm 1 PLC ± - 2 PLC ± - 3 PLC ± - 4 PLC ± - ANGLES ± -	REV E					

单击下面可查看定价，库存，交付和生命周期等信息

[>>TE Connectivity\(泰科\)](#)