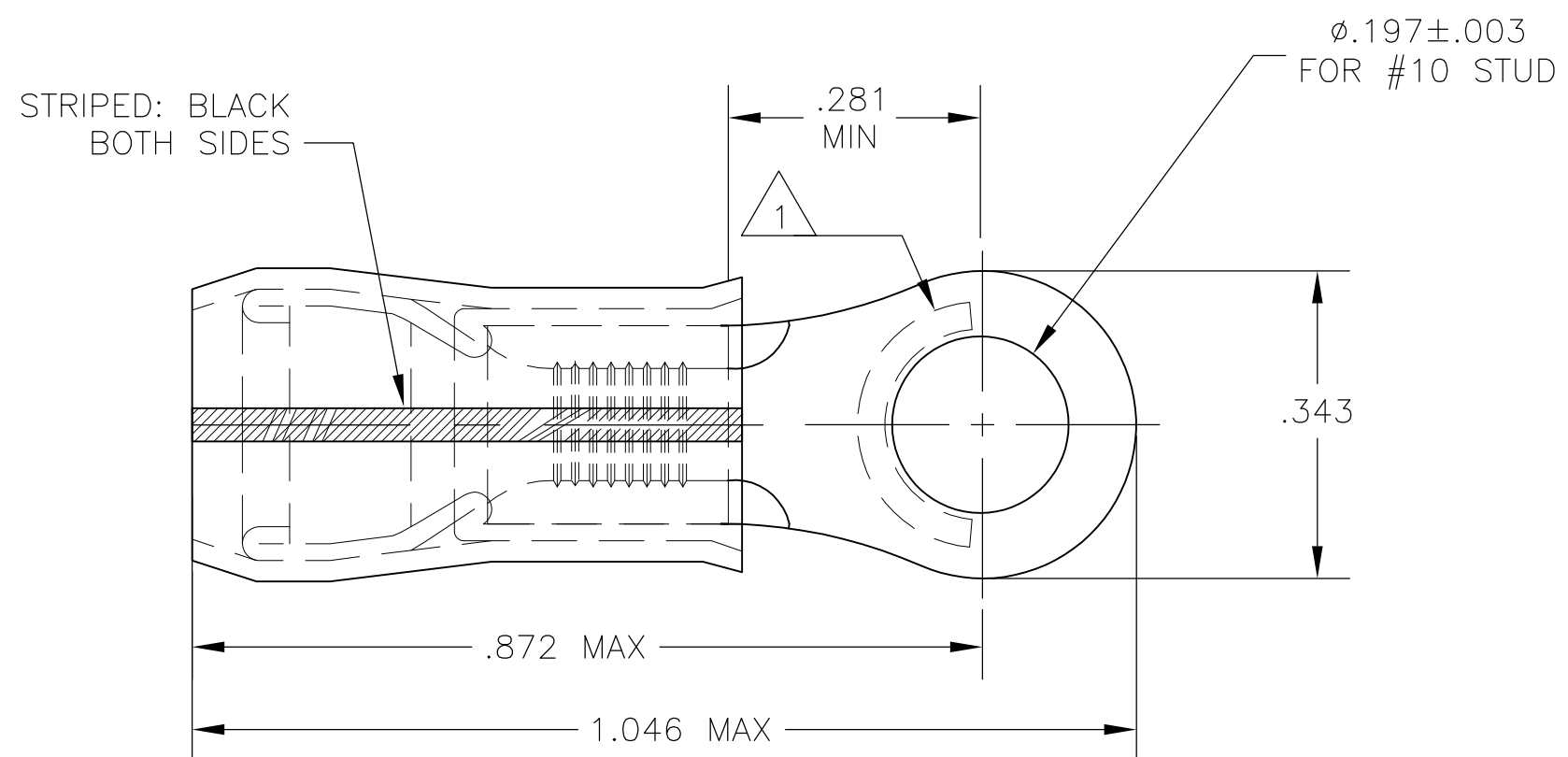


THIS DRAWING IS UNPUBLISHED. RELEASED FOR PUBLICATION  
 © COPYRIGHT - By - ALL RIGHTS RESERVED.

LOC	DIST	REVISIONS			
P	LTR	DESCRIPTION	DATE	DWN	APVD
G	14	C2	REVISED PER ECO-14-015178	09OCT2014	NK DR



- 1 STAMP "AMP 16-14 HD\*" LOCATED APPROX AS SHOWN.
- 2 TONGUE MATERIAL THK IS .050 MAX
- 3 FOR .230 MAX WIRE INSULATION DIA.

QTY	PACKAGE TYPE	MATERIAL & FINISH	PART NUMBER
PRELIMINARY	2500	TAPE & REEL	2-53983-1
500	LOOSE PIECE	BODY & SLEEVE: COPPER PER ASTM B152 TIN LEAD (93-7) PLATE PER ASTM B545 (3% MIN LEAD CONTENT)  INSULATION: PVF2, COLOR - NATURAL	53983-1

THIS DRAWING IS A CONTROLLED DOCUMENT.		DWN jr_ruth 14SEP04	TE Connectivity	
DIMENSIONS: INCHES		CHK T MICHELUTTI 14SEP04		
TOLERANCES UNLESS OTHERWISE SPECIFIED: 0 PLC ± - 1 PLC ± - 2 PLC ± - 3 PLC ± .008 4 PLC ± - ANGLES ± 5°		APVD T MICHELUTTI 14SEP04	PRODUCT SPEC	WIRE TERMINAL PVF2 - PIDG - RING TONGUE WIRE SIZE : 16-14 HD
MATERIAL		FINISH	APPLICATION SPEC	RESTRICTED TO
-		-	WEIGHT -	SIZE A3
			CAGE CODE 00779	DRAWING NO C-53983
CUSTOMER DRAWING			SCALE 5:1	SHEET 1 OF 1
			REV C2	

单击下面可查看定价，库存，交付和生命周期等信息

[>>TE Connectivity\(泰科\)](#)