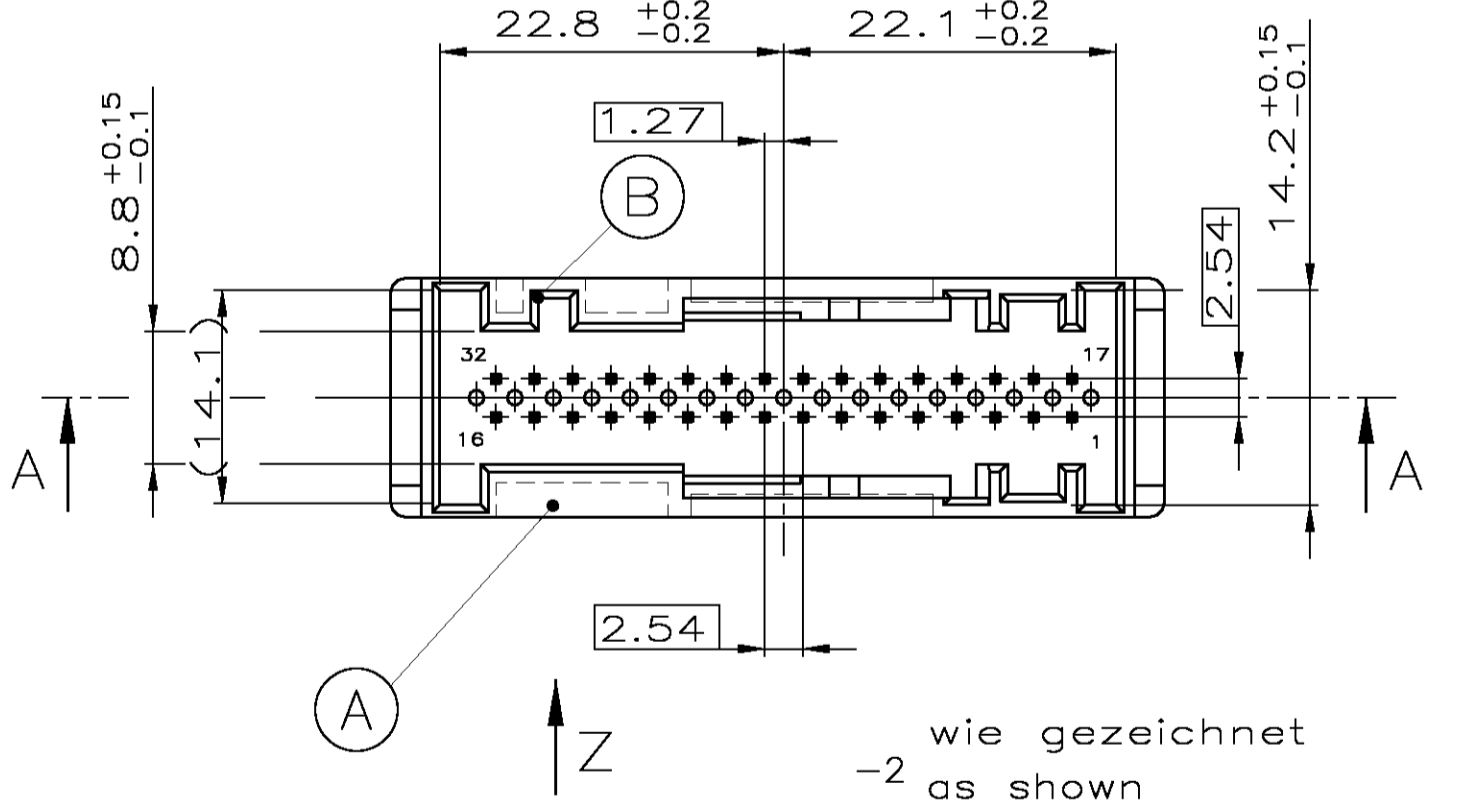
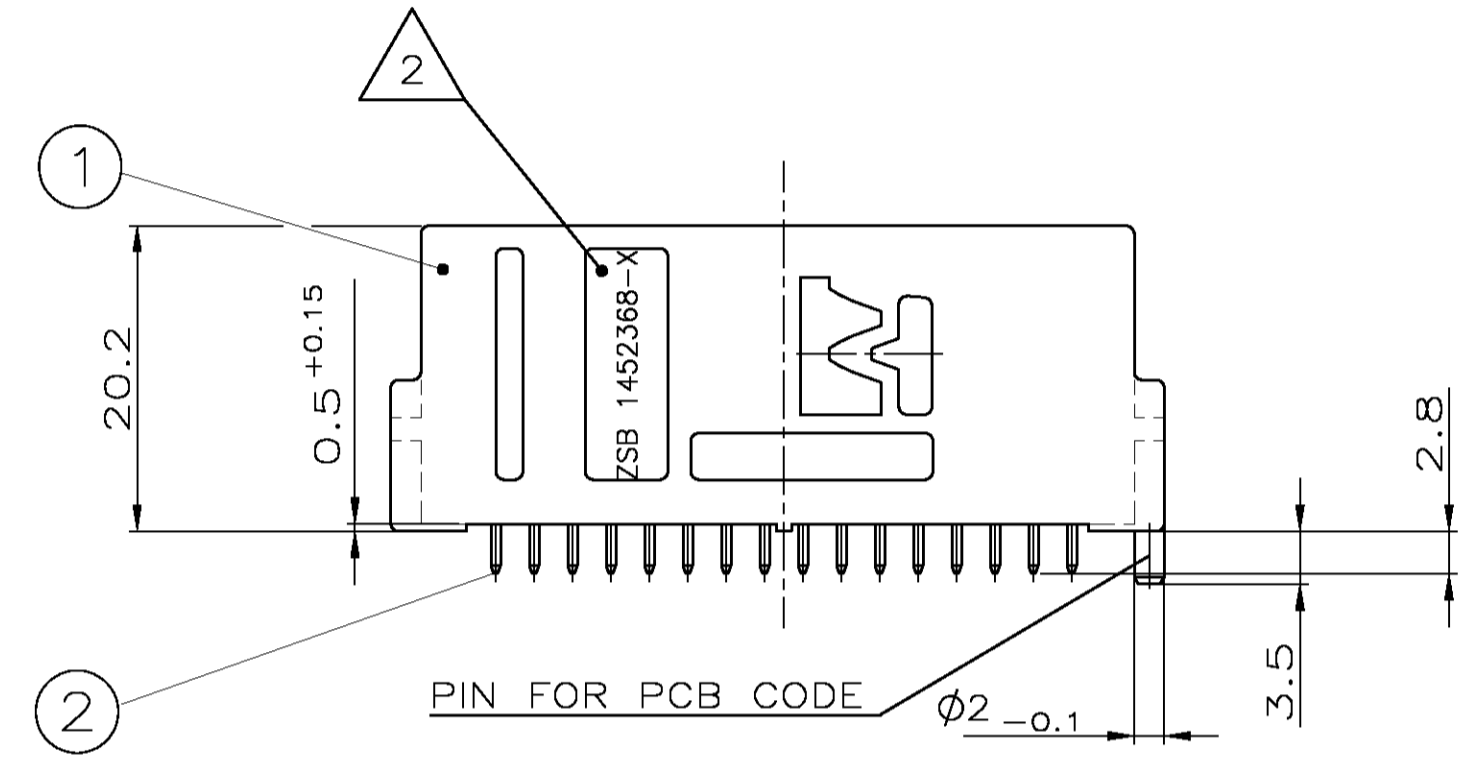
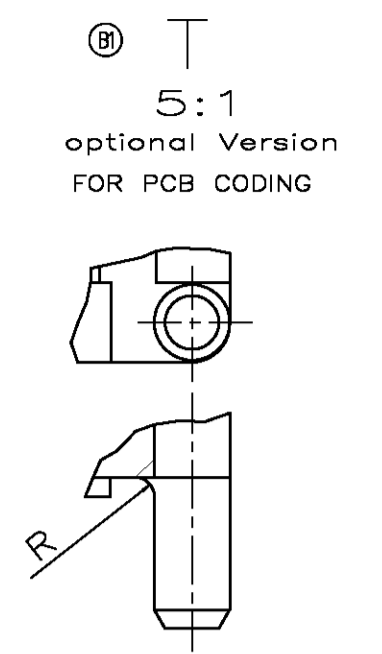
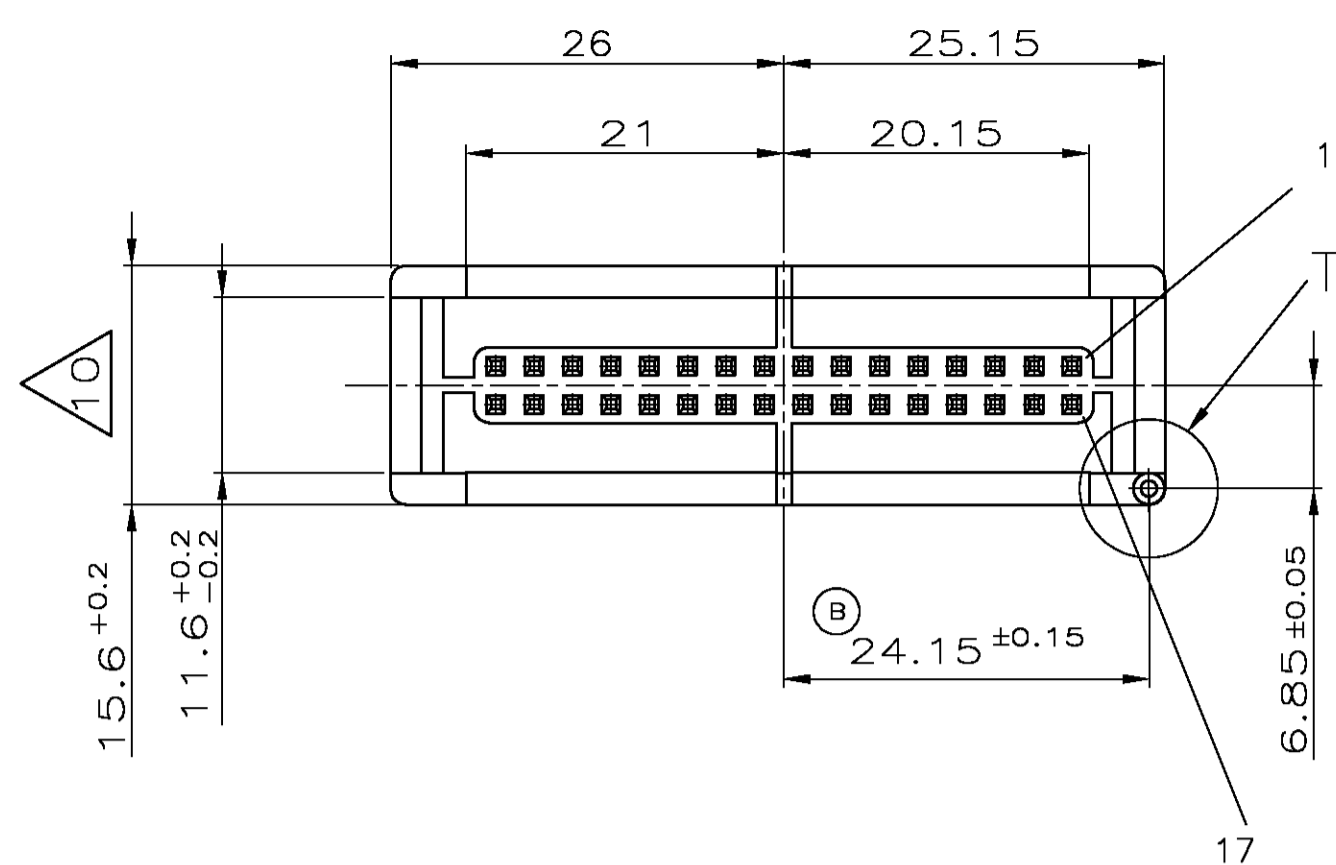
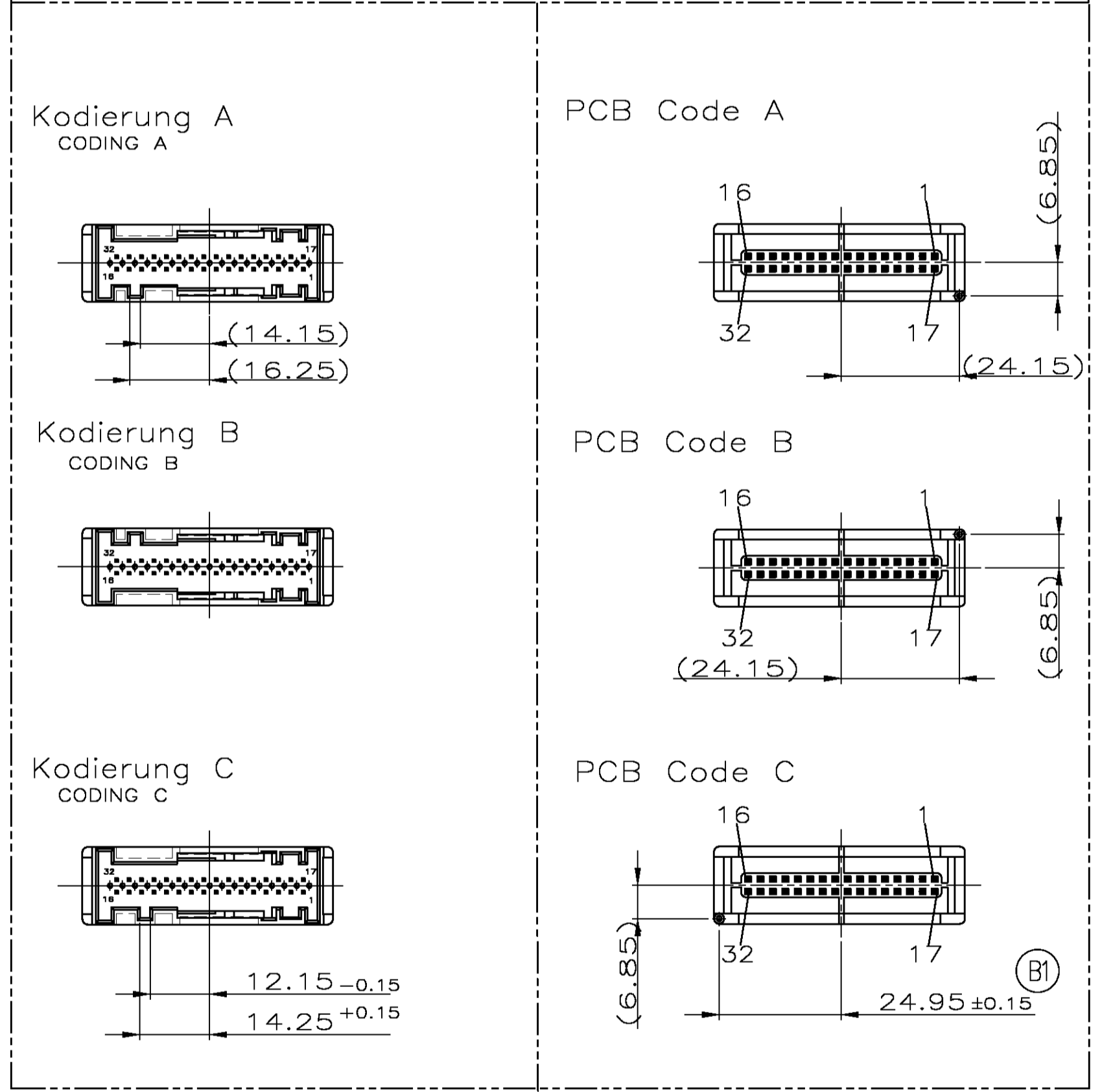
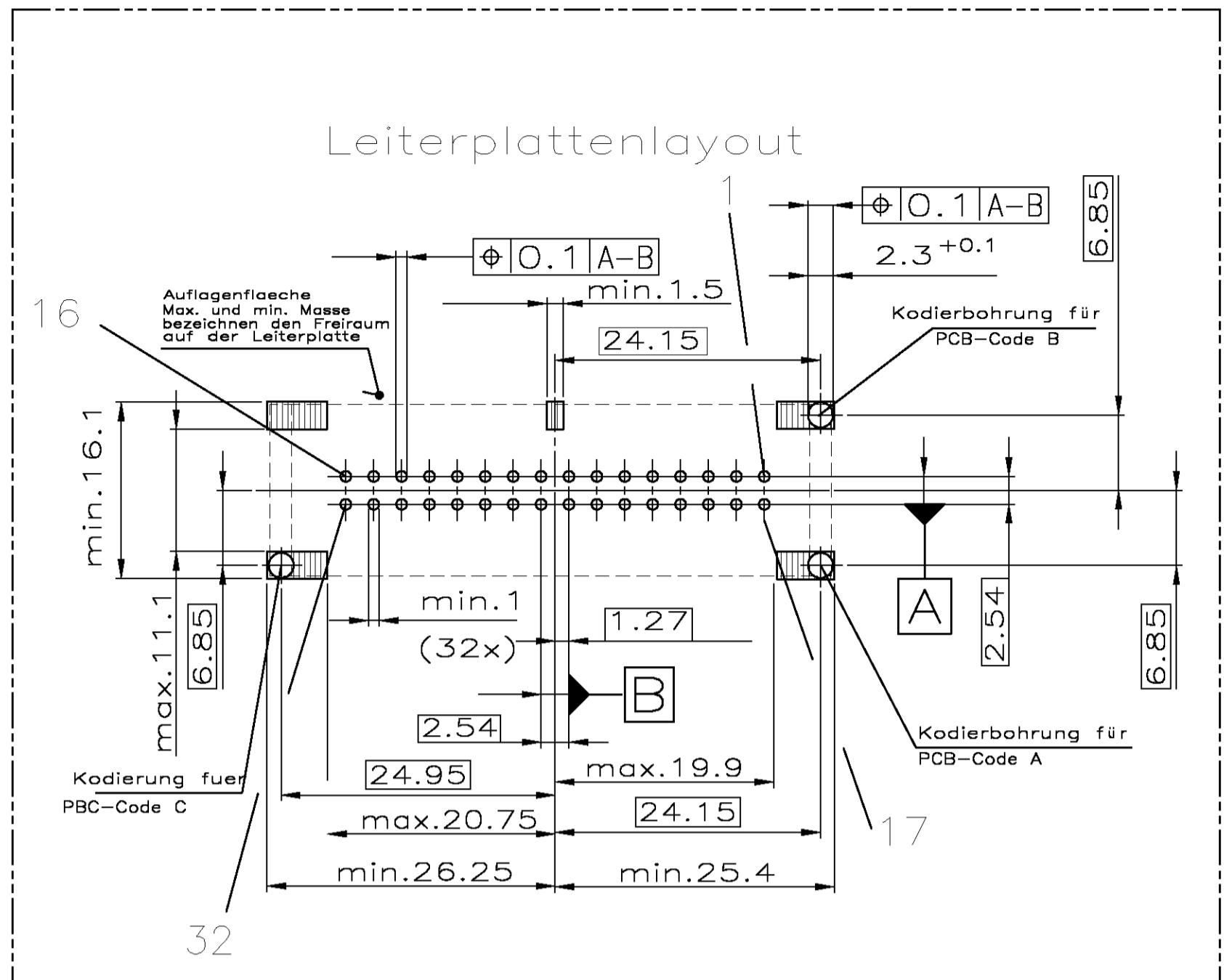
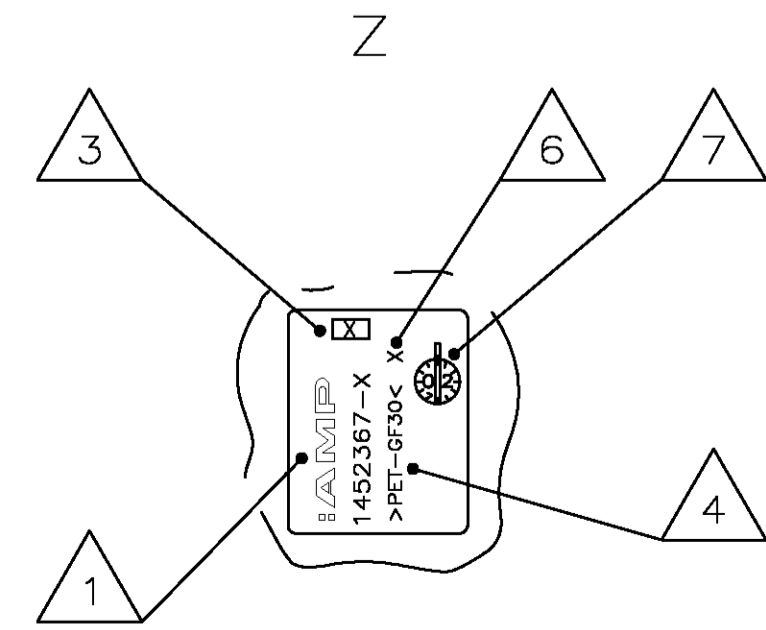
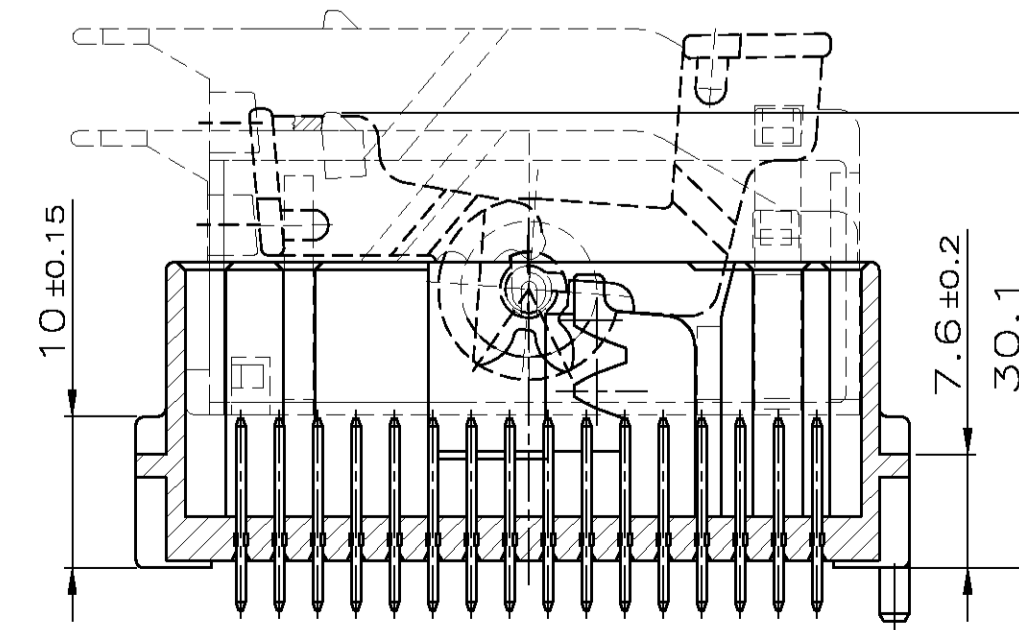


REV. NO.	DATE	REVISIONS		BY	APPV.
		DESCRIPTION	REVISION		
B	04NOV09	SEE E-09-015710	1	HSCH	RH
B1	17FEB10	SEE E-10-003549	2	HSCH	RH
C	07JUN10	SEE E-10-012047	3	HSCH	RH



A-A



Bemerkungen
NOTES

- 1 AMP-Logo or TE-Logo
AMP-LOGO OR TE-LOGO
- 2 Bestell-Nummer
ORDER-NUMBER
- 3 Werkzeugaenderungsindex
REVISIONS-NUMBER
- 4 Werkstoffkennzeichnung
MATERIAL MARKING
- 5 Tubeverpackung im Karton
Kundenspezifische Ausfuhrung
PACKAGING IN TUBES IN CARDBOARDBOX
CUSTOMER RESTRICTED VERSION
- 6 Nestmarkierung
CAVITY MARKING
- 7 Produktions-Datum
PRODUCTION-DATE
- 8 Lagerverpackung im Karton
PACKAGING IN LAYERS IN CARDBOARDBOX
- 9 Toleranzen wenn nicht ±0.5mm
anders spezifiziert
TOLERANCES UNLESS ±0.5MM
OTHERWISE SPECIFIED
- 10 Bis max. 16.2 Verzug zulaessig
DIM. MAX.16.2 PERMITTED IN FACT OF WARPAGE
- 11 Verpackung: Produktraeger im Karton
PACKAGING: PLASTIC TRAY IN CARDBOARDBOX

Passend zu TE-Gegenstueck:
MATED WITH TE-COUNTERPART:

- 967597-1 COVER WITH LEVER, CODING A
- 967597-1 Abdeckkappe mit Hebel, Kodierung A
- 967597-2 COVER WITH LEVER, CODING B
- 967597-2 Abdeckkappe mit Hebel, Kodierung B
- 968265-1 MQS SOCKET HOUSING
- 968265-1 MQS Buchsengehaeuse

LOW TEMPERATURE VERSION
SEE PN 967598
Niedrigtemperaturausfuhrung
siehe PN 967598

REV.	PART NO.	REV.	PCB Code	Pcs.	MATERIAL	SURFACE COLOR	DESCRIPTION	ITEM NO.
	1-1452368-4 CODING B	B	B	32	CuSn6	PRE TIN PLATED	MODU II CONTACT PIN	2
	1-1452368-1 CODING A	B	A	1	PET-GF30	BLUE	PIN HEADER , 32 POS.	1
	1452368-5 CODING C	C	A	32	CuSn6	PRE TIN PLATED	MODU II CONTACT PIN	2
	1452368-2 CODING B	B	A	1	PET-GF30	GREY	PIN HEADER , 32 POS.	1
	1452368-1 CODING A	A	A	32	CuSn6	PRE TIN PLATED	MODU II CONTACT PIN	2
		B	A	1	PET-GF30	BLACK	PIN-HEADER , 32 POS.	1
		B	A	32	CuSn6	PRE TIN PLATED	MODU II CONTACT PIN	2
		B	A	1	PET-GF30	BLUE	PIN-HEADER , 32 POS.	1
		B	A	32	CuSn6	PRE TIN PLATED	MODU II CONTACT PIN	2
		B	A	1	PET-GF30	GREY	PIN HEADER , 32 POS.	1

DATE	REV.	DESCRIPTION	DATE	APPV.
16JAN02			17JAN02	
17JAN02				

TYPYKONSTRUKTION TIPOVAJNEN 1452368-1 1452368-X 32POS-32	TYPYKONSTRUKTION TIPOVAJNEN 1452368-1 1452368-X 32POS-32	TYPYKONSTRUKTION TIPOVAJNEN 1452368-1 1452368-X 32POS-32	TYPYKONSTRUKTION TIPOVAJNEN 1452368-1 1452368-X 32POS-32	TYPYKONSTRUKTION TIPOVAJNEN 1452368-1 1452368-X 32POS-32
--	--	--	--	--

DRAWN: H.Meinhardt CHECKED: T.Kilian	DATE: 16JAN02 17JAN02	tyco Electronics tyco Electronics AMP GmbH D - 64625 Bensheim	PRODUCT SPEC: 108-18547-0	APPLICATION SPEC: 114-18174-0	DIMENSIONS: mm DIMENSIONS: mm	MATERIAL:	WEIGHT: 8.4gr.	CUSTOMER DRAWING /KUNDENZICHNUNG	SCALE: 2:1	SHEET: 1 of 1	REV: C
---	--------------------------	---	------------------------------	----------------------------------	----------------------------------	-----------	----------------	----------------------------------	------------	---------------	--------

单击下面可查看定价，库存，交付和生命周期等信息

[>>TE Connectivity\(泰科\)](#)