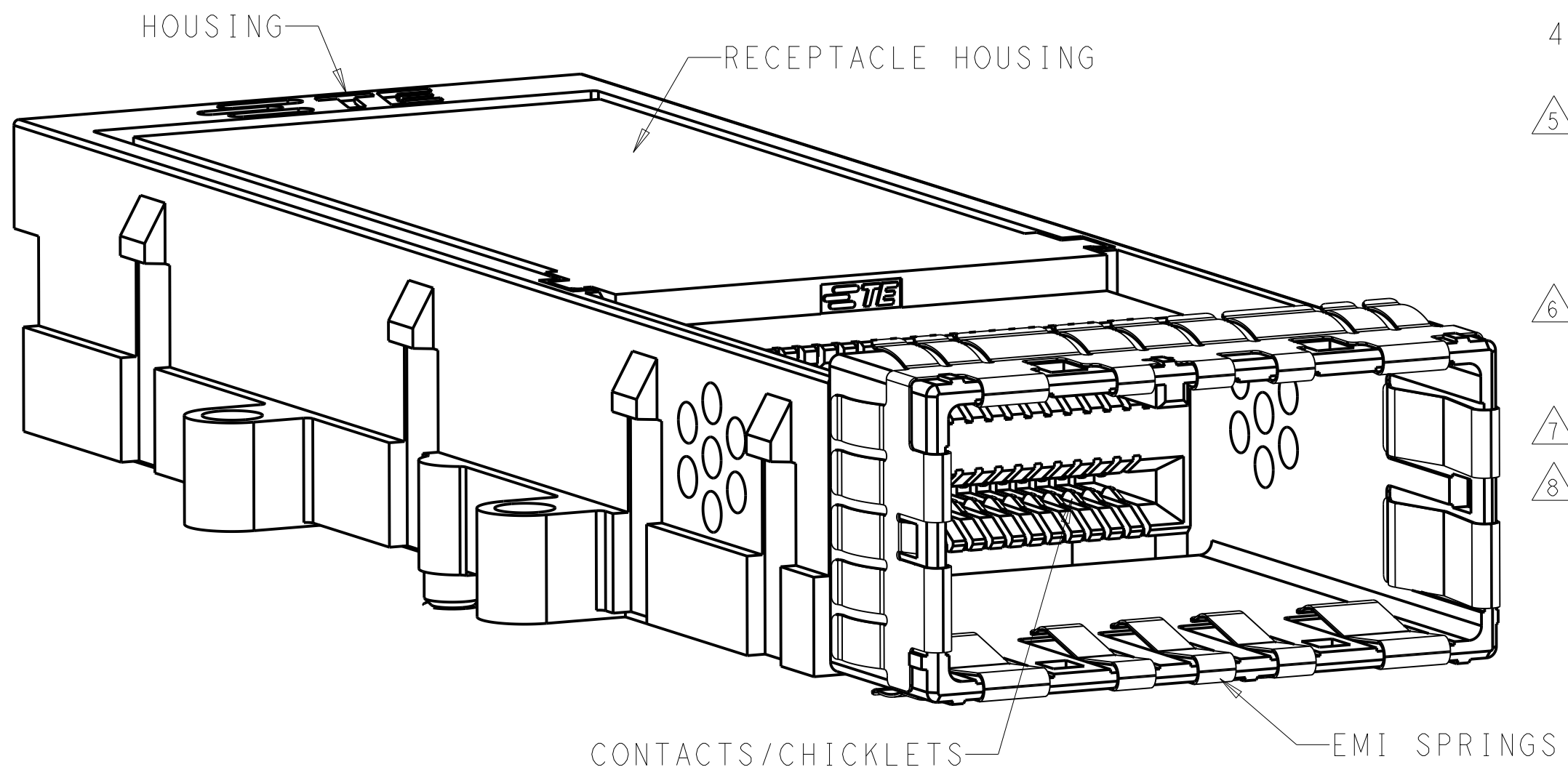


THIS DRAWING IS UNPUBLISHED. RELEASED FOR PUBLICATION 20  
 © COPYRIGHT 20 BY - ALL RIGHTS RESERVED.

REVISIONS				
P	LTR	DESCRIPTION	DATE	APVD
	A	RELEASED ECO-14-002997	24MAR2014	LAW SB

- 1 MATERIALS:  
 HOUSING - ZINC ALLOY  
 RECEPTACLE HOUSING - LCP, BLACK, UL 94V-O RATED  
 CHICKLET - LCP, BLACK, UL 94V-O RATED  
 CONTACT - PHOSPHOR BRONZE  
 EMI SPRING - COPPER ALLOY
- 2 FINISH:  
 CONTACT - CONFORMS TO THE REQUIREMENTS OF TE  
 PRODUCT SPECIFICATION 108-2426, BASED ON EIA/ECA-364-1000.01A,  
 (CONTROLLED ENVIRONMENT APPLICATIONS) ON MATING INTERFACE,  
 MATTE TIN PLATE OVER NICKEL UNDER PLATE ON COMPLIANT PIN  
 HOUSING - NICKEL PLATE
- 3 NOTE DELETED
- 4 MOUNTING HARDWARE REQUIRED:  
 M2X0.4 (4): MOUNTING SCREW LENGTH = BOARD THICKNESS + 8mm MAX
- 5 THE ENTIRE AREA OF THE CONNECTOR FOOTPRINT, INDICATED  
 BY CROSSHATCHING, TO BE CONSIDERED THE KEEPOUT AREA FOR  
 COMPONENTS AND SIGNAL TRACES, TOP SIDE ONLY, TOP SIDE  
 TRACES ALLOWED WITHIN CONNECTOR HOLE PATTERN, CROSSHATCHING  
 TO BE CONDUCTIVE
- 6 FEATURES IN PHANTOM LINES ARE RELATED TO USE WITH  
 CONNECTOR PN 2149701-X AND GANGED SIDE BY SIDE APPLICATION
- 7 PCB THICKNESS = 1.44 MIN
- 8 FOR HOLE SIZE AND FINISHES SEE APPLICATION SPECIFICATION 114-13283



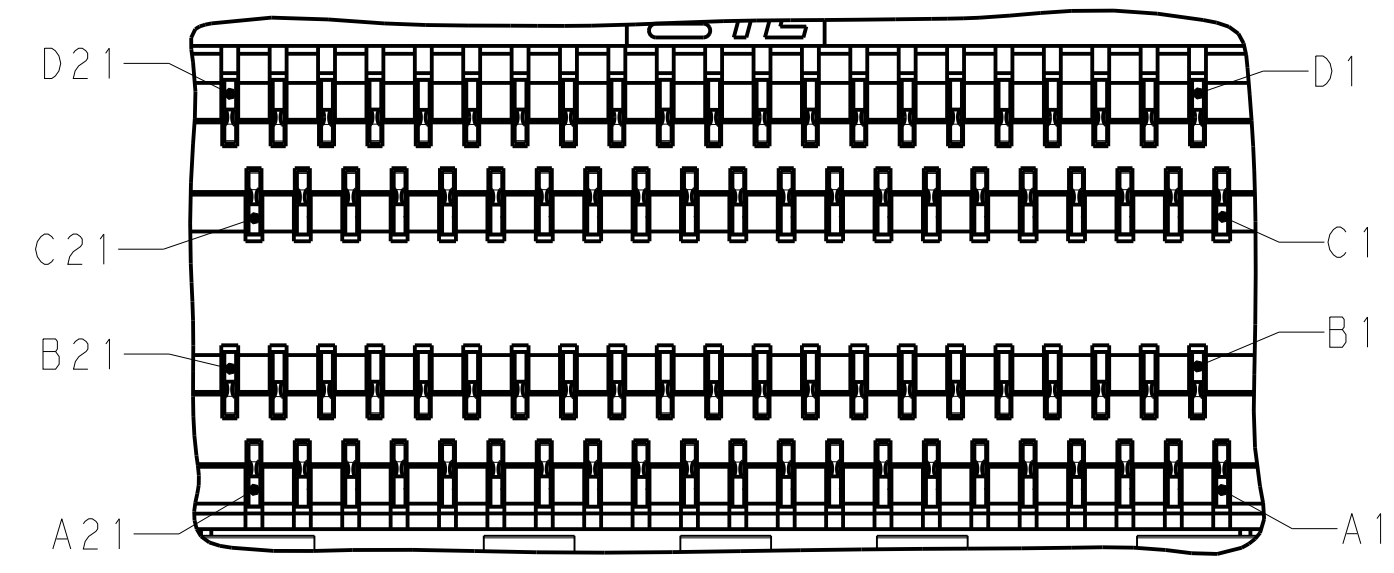
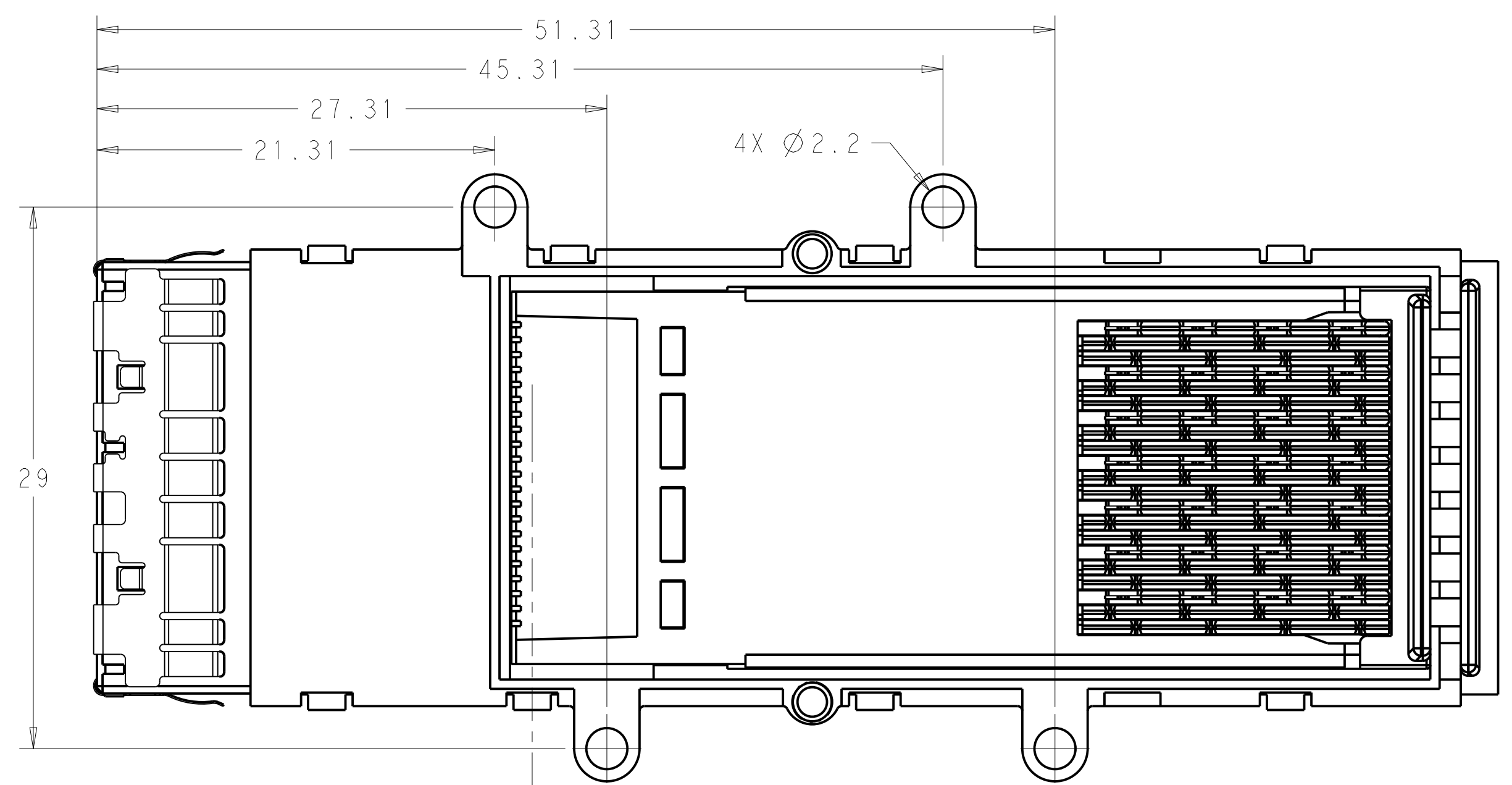
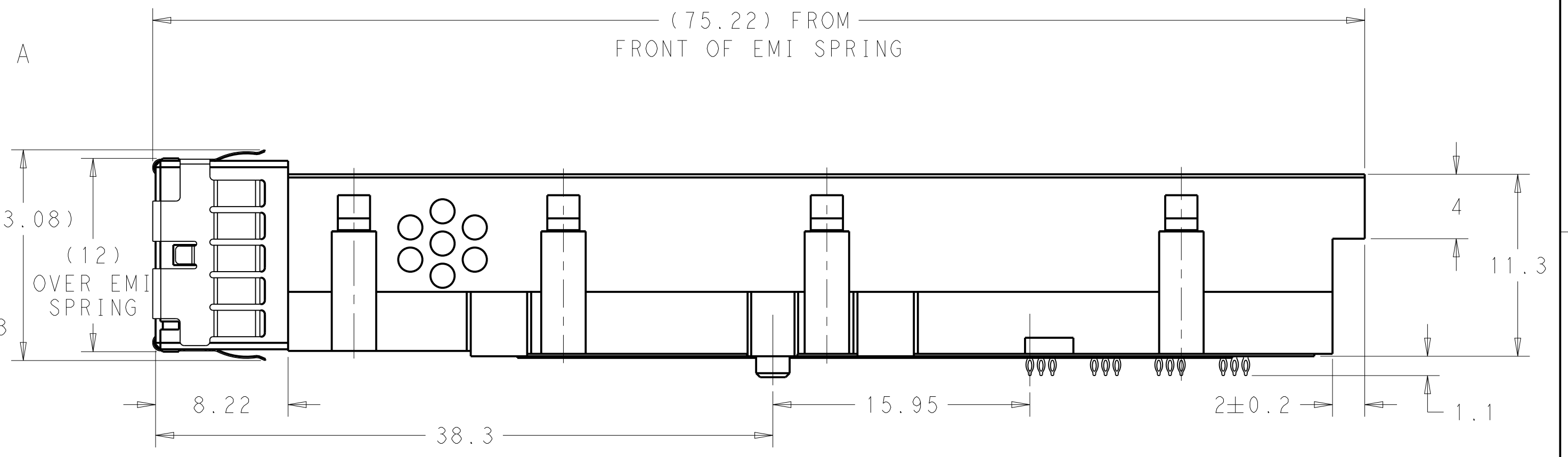
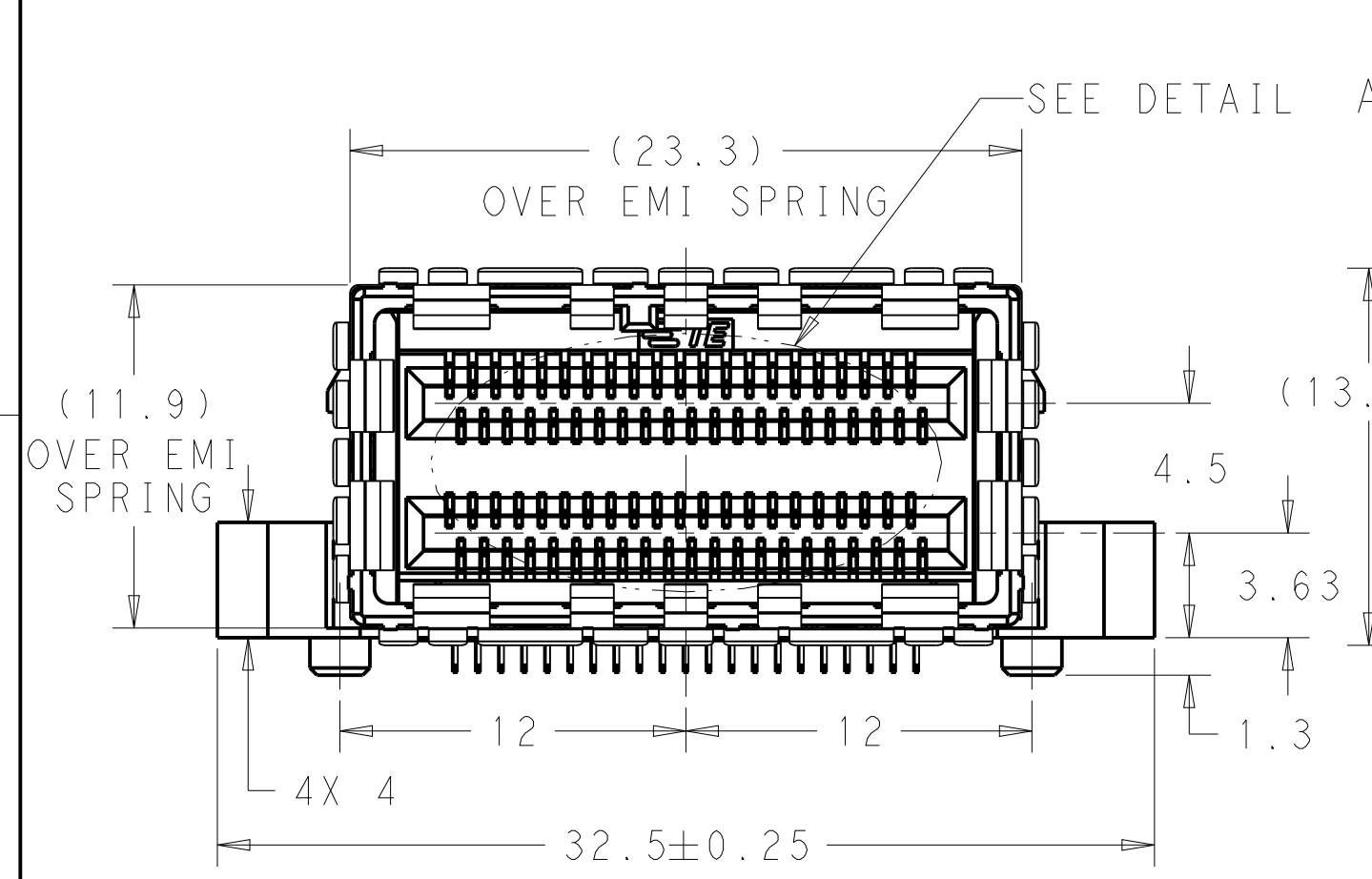
2149733-1  
 SCALE 5:1

OBSOLETE	3	84 POSITION RECEPTACLE ASSEMBLY	2149733-2
	2	84 POSITION RECEPTACLE ASSEMBLY	2149733-1
	FINISH	DESCRIPTION	PART NUMBER

THIS DRAWING IS A CONTROLLED DOCUMENT. DIMENSIONING AND TOLERANCING PER ASME Y14.5M-2009		DWN M.E. COWHER 16SEP2010 CHK M.D. MORRISON 23SEP2010 APVD M.D. MORRISON 23SEP2010	<b>STE</b> TE Connectivity	
DIMENSIONS: mm	TOLERANCES UNLESS OTHERWISE SPECIFIED: 0 PLC ±0.15 1 PLC ±0.15 2 PLC ±0.15 3 PLC ± 4 PLC ± ANGLES ±1° FINISH	PRODUCT SPEC 108-2426 APPLICATION SPEC 114-13283 WEIGHT -	NAME RECEPTACLE ASSEMBLY, BELLY-BELLY, EXTENDED, 84 POSITION, CXP	
MATERIAL 1	2	SIZE A200779	DRAWING NO C-2149733	RESTRICTED TO -
Customer Drawing		SCALE 1:1	SHEET 1 OF 4	REV A

THIS DRAWING IS UNPUBLISHED. RELEASED FOR PUBLICATION 20  
 © COPYRIGHT 20 BY - ALL RIGHTS RESERVED.

REVISIONS				
P	LTR	DESCRIPTION	DATE	APVD
-	-	SEE SHEET 1	-	-



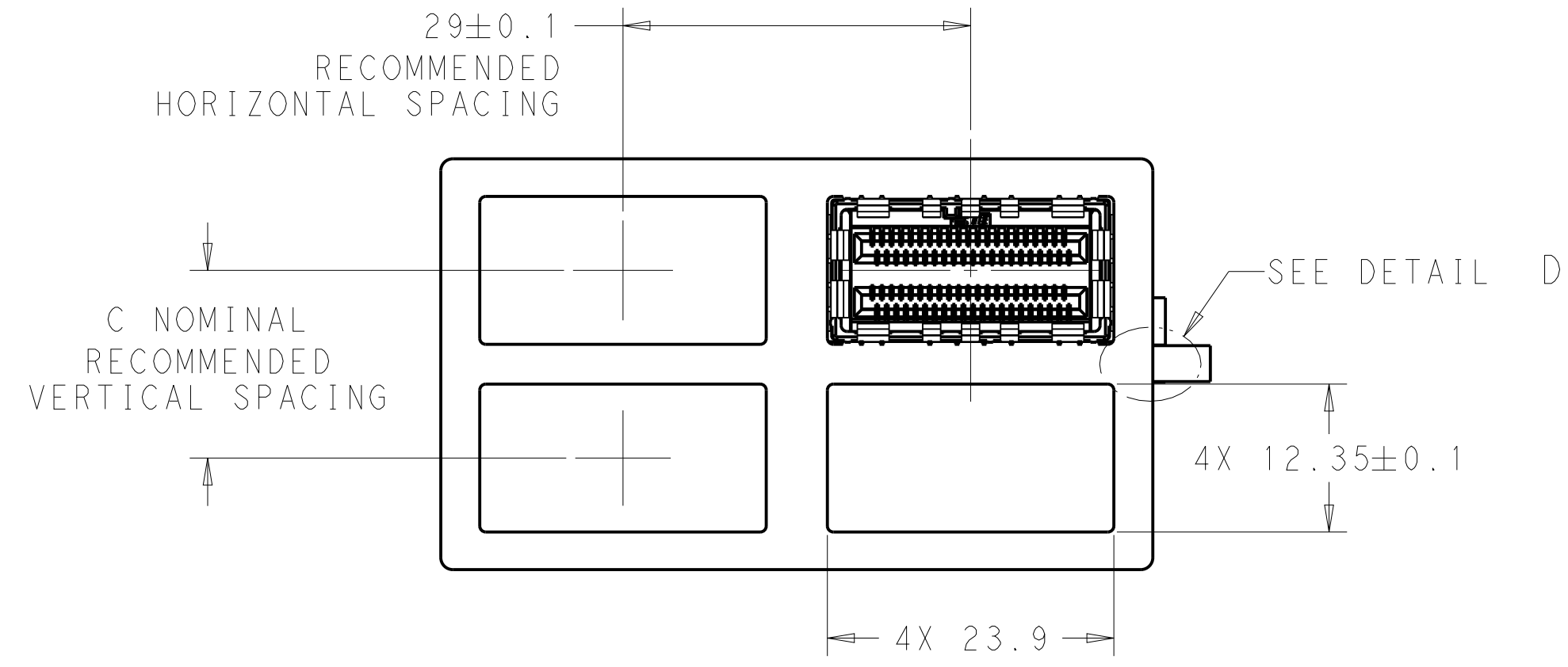
DETAIL A  
 RECOMMENDED PIN CALLOUT  
 SCALE 8:1

2149733-1  
 SCALE 4:1

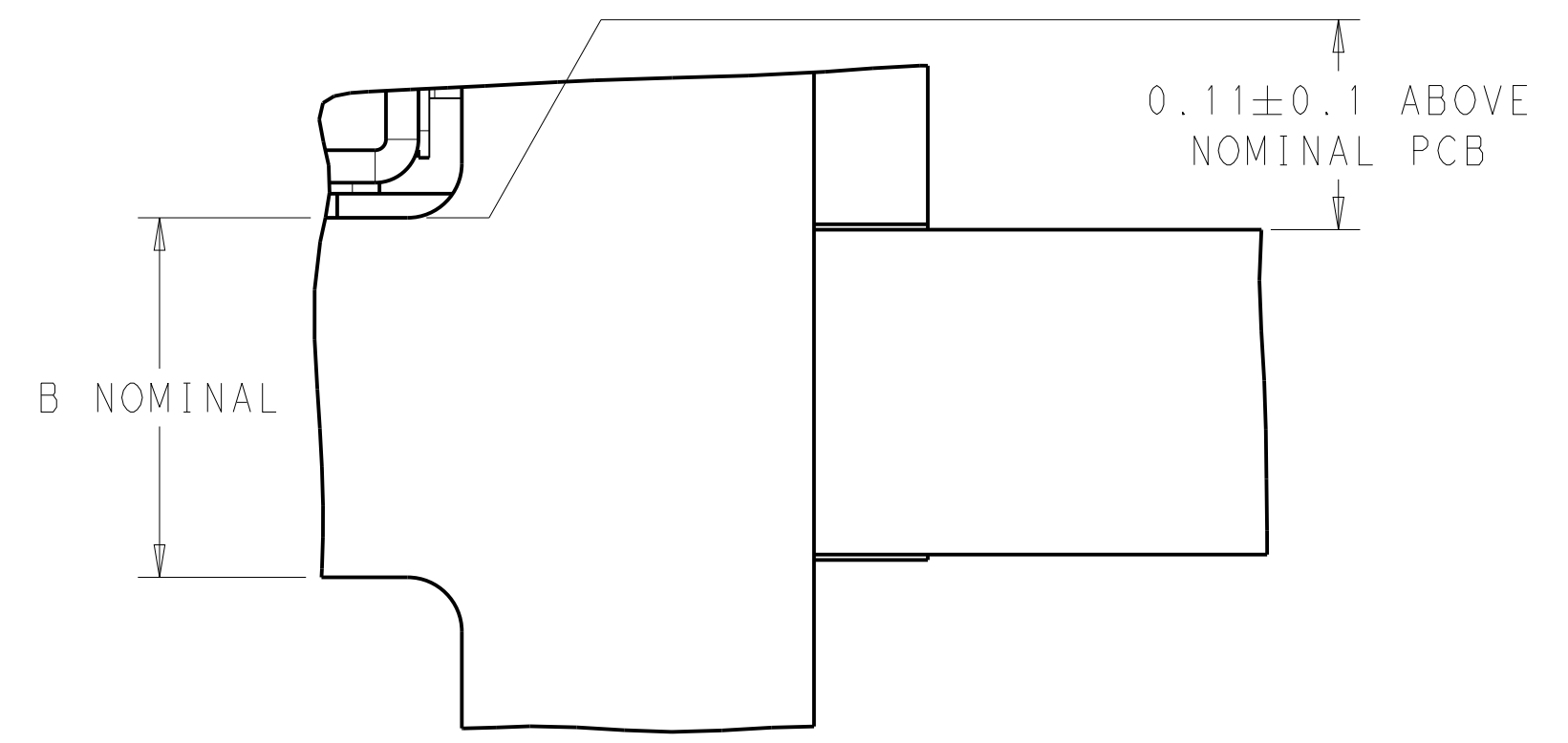
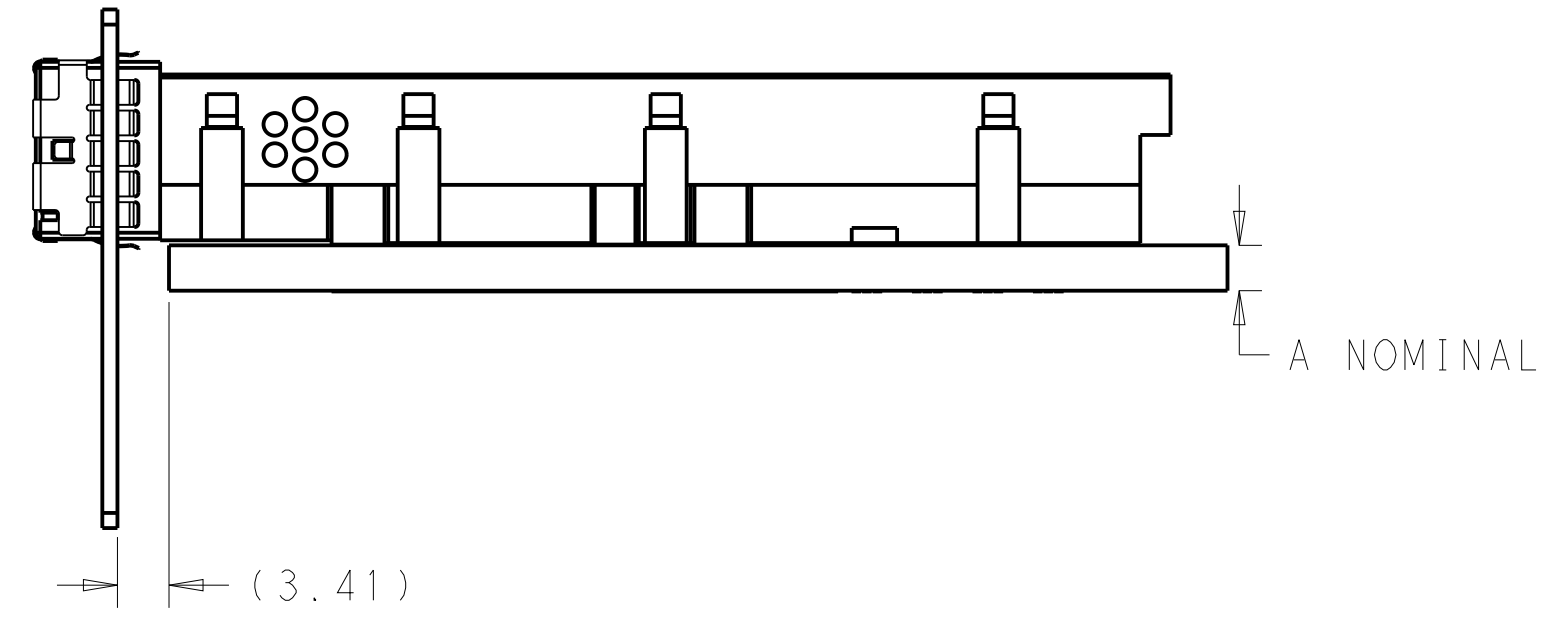
THIS DRAWING IS A CONTROLLED DOCUMENT. DIMENSIONING AND TOLERANCING PER ASME Y14.5M-2009		DWN M.E. COWHER 16SEP2010 CHK M.D. MORRISON 23SEP2010 APVD M.D. MORRISON 23SEP2010	TE Connectivity <b>RECEPTACLE ASSEMBLY, BELLY-BELLY, EXTENDED, 84 POSITION, CXP</b>	
DIMENSIONS: mm	TOLERANCES UNLESS OTHERWISE SPECIFIED: 0 PLC ±0.15 1 PLC ±0.15 2 PLC ±0.15 3 PLC ± 4 PLC ± ANGLES ±1° FINISH	PRODUCT SPEC 108-2426 APPLICATION SPEC 114-13283 WEIGHT -		
MATERIAL		Customer Drawing	RESTRICTED TO	
SCALE 1:1			SHEET 2 OF 4	REV A

THIS DRAWING IS UNPUBLISHED. RELEASED FOR PUBLICATION 20  
 © COPYRIGHT 20 BY - ALL RIGHTS RESERVED.

REVISIONS				
P	LTR	DESCRIPTION	DATE	APVD
-		SEE SHEET 1	-	-



RECOMMENDED BRACKET LAYOUT  
SCALE 2:1



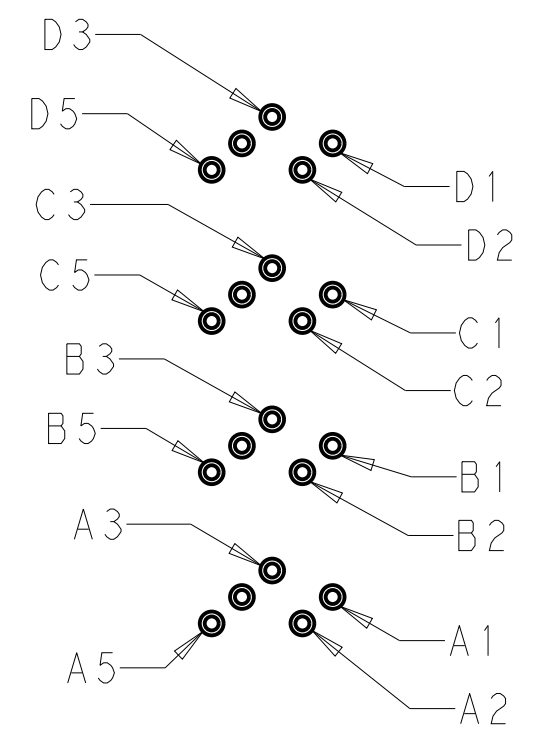
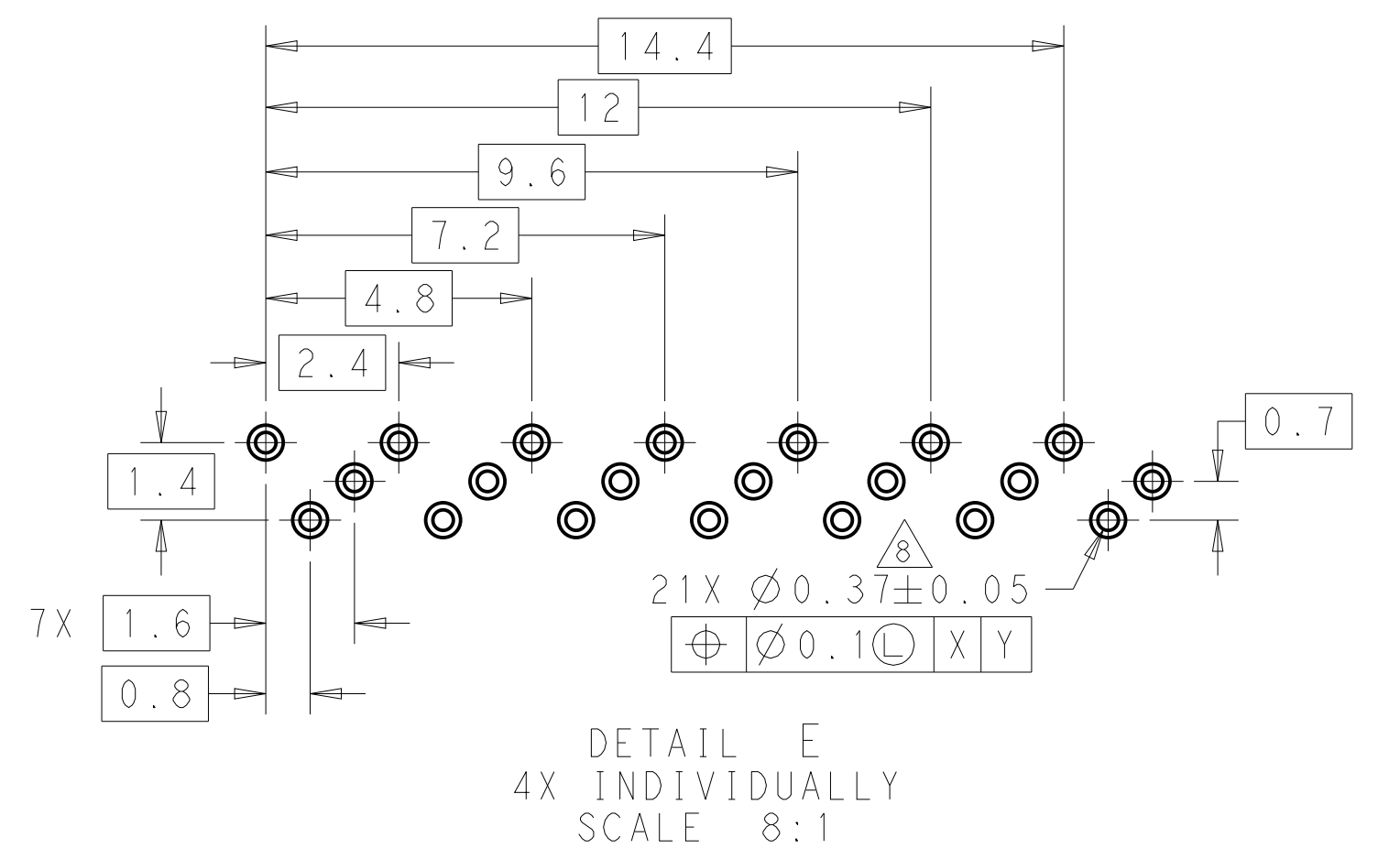
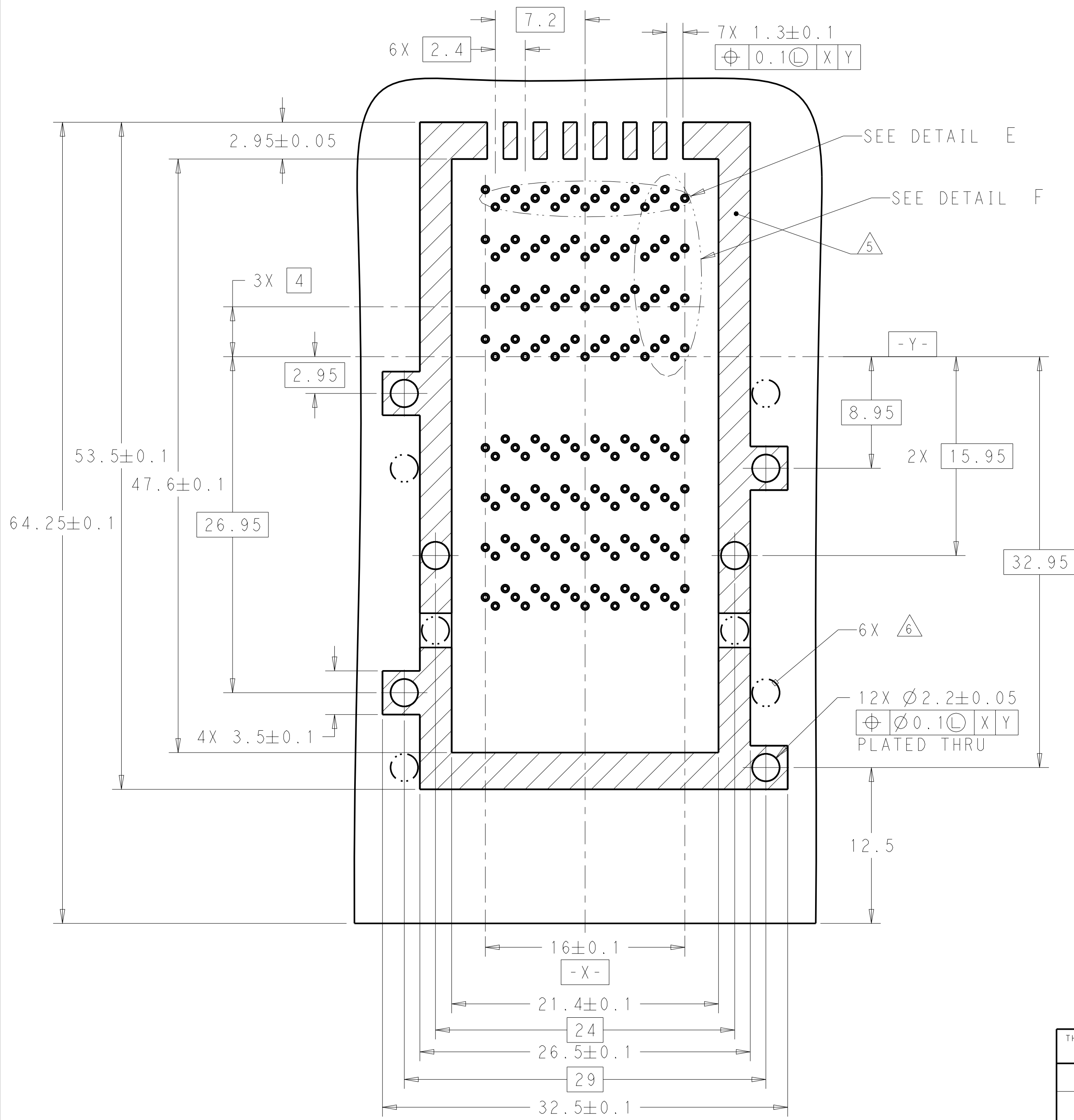
DETAIL D  
SCALE 15:1

12.57+A	0.22+A	PCB THICKNESS
C	B	A

THIS DRAWING IS A CONTROLLED DOCUMENT. DIMENSIONING AND TOLERANCING PER ASME Y14.5M-2009		DWN M.E. COWHER 16SEP2010 CHK M.D. MORRISON 23SEP2010 APVD M.D. MORRISON 23SEP2010	<b>STE</b> TE Connectivity	
DIMENSIONS: mm	TOLERANCES UNLESS OTHERWISE SPECIFIED: 0 PLC ±0.15 1 PLC ±0.15 2 PLC ±0.15 3 PLC ± 4 PLC ± ANGLES ±1° FINISH	PRODUCT SPEC 108-2426 APPLICATION SPEC 114-13283 WEIGHT -	NAME RECEPTACLE ASSEMBLY, BELLY-BELLY, EXTENDED, 84 POSITION, CXP	
MATERIAL -	-	Customer Drawing	SIZE A200779	CAGE CODE C-2149733
SCALE 1:1			SHEET 3 OF 4	REV A

THIS DRAWING IS UNPUBLISHED. RELEASED FOR PUBLICATION 20  
 © COPYRIGHT 20 BY - ALL RIGHTS RESERVED.

REVISIONS				
P	LTR	DESCRIPTION	DATE	APVD
-	-	SEE SHEET 1	-	-



$\triangle 5 \triangle 7 \triangle 8$  RECOMMENDED PCB LAYOUT  
 COMPONENT SIDE SHOWN  
 SCALE 4:1

THIS DRAWING IS A CONTROLLED DOCUMENT. DIMENSIONING AND TOLERANCING PER ASME Y14.5M-2009.		DWN 16SEP2010 M.E. COWHER	TE Connectivity
DIMENSIONS: mm		CHK 23SEP2010 M.D. MORRISON	
TOLERANCES UNLESS OTHERWISE SPECIFIED: 0 PLC ±0.15 1 PLC ±0.15 2 PLC ±0.15 3 PLC ± 4 PLC ± ANGLES ±1° FINISH		APVD 23SEP2010 M.D. MORRISON	NAME RECEPTACLE ASSEMBLY, BELLY-BELLY, EXTENDED, 84 POSITION, CXP
MATERIAL		PRODUCT SPEC 108-2426	SIZE A2
		APPLICATION SPEC 114-13283	CAGE CODE 00779
		WEIGHT	DRAWING NO C-2149733
		Customer Drawing	RESTRICTED TO
		SCALE 1:1	SHEET 4 OF 4 REV A

单击下面可查看定价，库存，交付和生命周期等信息

[>>TE Connectivity\(泰科\)](#)