

THIS DRAWING IS UNPUBLISHED.

RELEASED FOR PUBLICATION

20

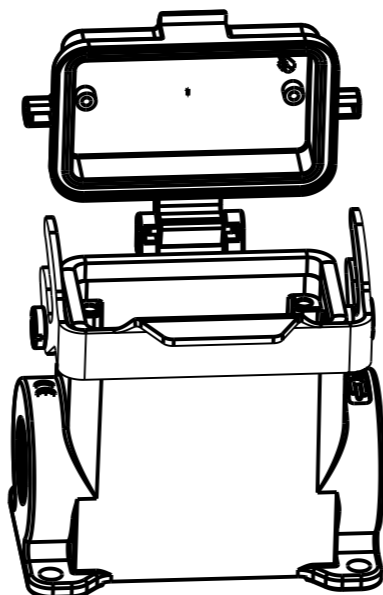
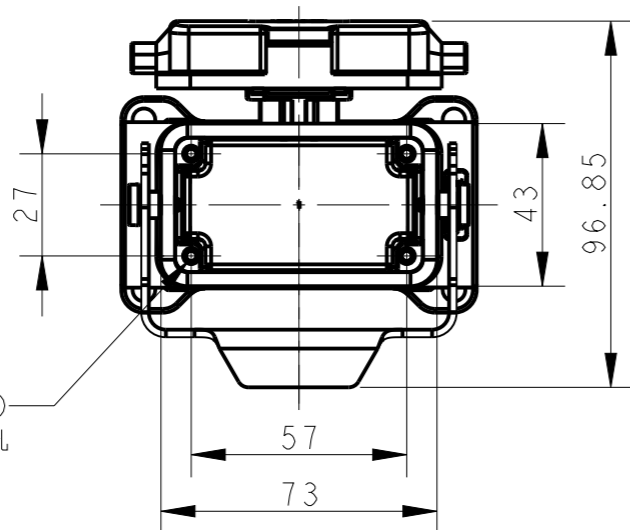
© COPYRIGHT 20 BY -

ALL RIGHTS RESERVED.

REVISIONS

P	LTR	DESCRIPTION	DATE	DWN	APVD
	A	INITIAL RELEASE	25JUN2015	DL	CW
	B	ECR-20-008181	20JUL2020	WQR	CW

4X M3 THREAD
4X M3 螺纹孔

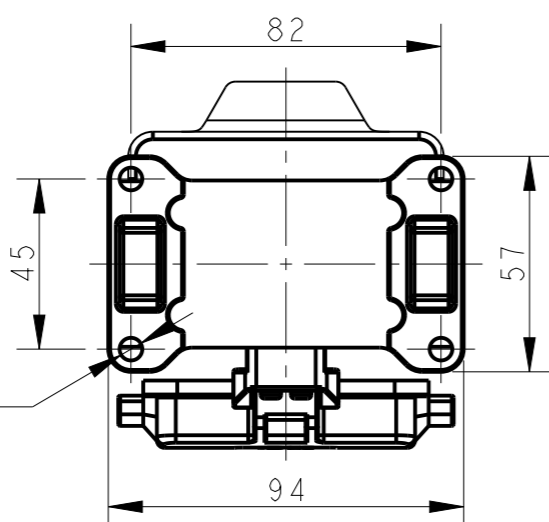
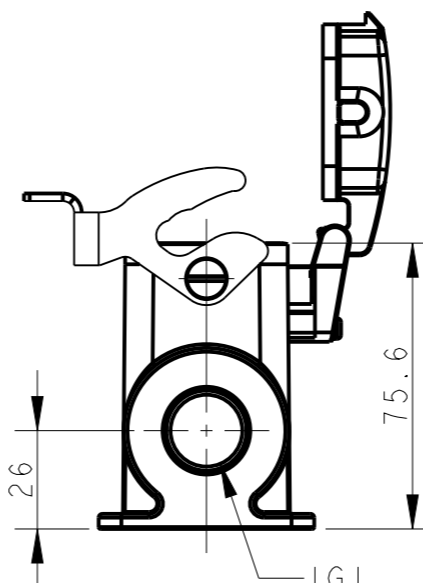
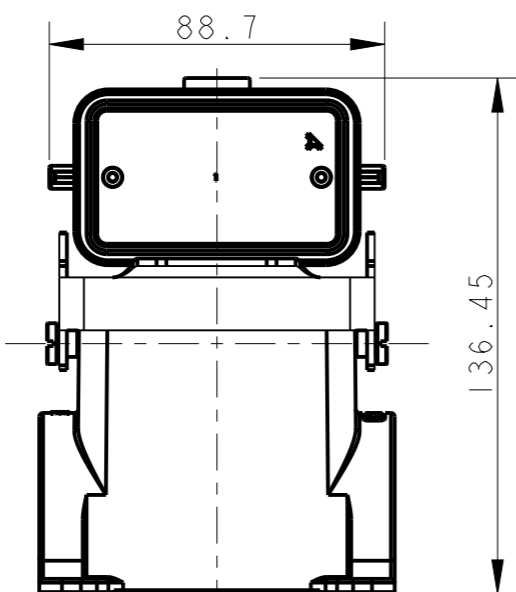
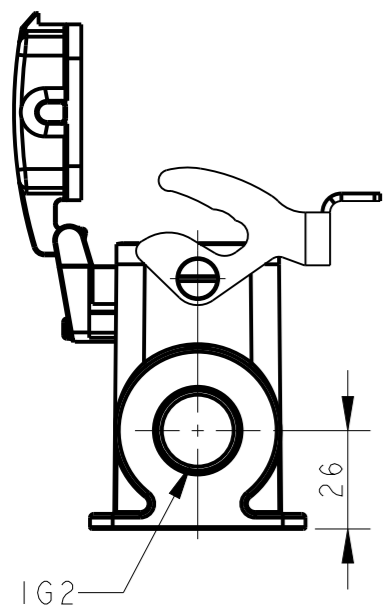


NOTES:

- 1. TECHNICAL CHARACTERISTICS:
BODY MATERIAL: DIE CAST ALUMINIUM ALLOY
SURFACE TREATMENT: POWDER-COATED, GRAY
DEGREE OF PROTECTION: IP65 (MATED)

注释:

- 1. 技术参数:
主体材料: 铝合金
表面处理: 粉末喷涂, 灰色
防护等级: IP65(配合)



T1660103121-000	TYPE I	H10B-SDRH-LB-PG21	PG21	-
T1660103125-000		H10B-SDRH-LB-M25	M25	-
T1660103129-000		H10B-SDRH-LB-PG29	PG29	-
T1660103132-000		H10B-SDRH-LB-M32	M32	-
T1660103221-000		H10B-SDRH-LB-2PG21	PG21	PG21
T1660103225-000		H10B-SDRH-LB-2M25	M25	M25
T1660103229-000		H10B-SDRH-LB-2PG29	PG29	PG29
T1660103232-000		H10B-SDRH-LB-2M32	M32	M32
ASSEMBLY PART NUMBER	TYPE	ASSEMBLY PART DESCRIPTION	IG1	IG2

TYPE I: HIGH BODY + STEEL LOCKING + PLASTIC PROTECTION COVER

THIS DRAWING IS A CONTROLLED DOCUMENT.		DWN	25JUN2015	TE TE Connectivity	NAME H10B-SDRH-LB-PG/M										
DIMENSIONS: mm		CHK	25JUN2015												
TOLERANCES UNLESS OTHERWISE SPECIFIED:		APVD	25JUN2015												
<table border="0"> <tr><td>0 PLC</td><td>±-</td></tr> <tr><td>1 PLC</td><td>±-</td></tr> <tr><td>2 PLC</td><td>±-</td></tr> <tr><td>3 PLC</td><td>±-</td></tr> <tr><td>4 PLC</td><td>±-</td></tr> <tr><td>ANGLES</td><td>±-</td></tr> </table>		0 PLC	±-			1 PLC	±-	2 PLC	±-	3 PLC	±-	4 PLC	±-	ANGLES	±-
0 PLC	±-														
1 PLC	±-														
2 PLC	±-														
3 PLC	±-														
4 PLC	±-														
ANGLES	±-														
MATERIAL	TBD	FINISH	-	APPLICATION SPEC	114-137013										
CUSTOMER DRAWING		WEIGHT	-	SIZE	A3										
		SCALE		CAGE CODE	-										
		SHEET		DRAWING NO	©-T166010XXXX000										
		REV		RESTRICTED TO											

THIS DRAWING IS UNPUBLISHED.

RELEASED FOR PUBLICATION

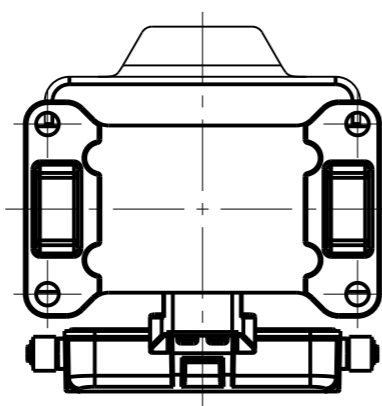
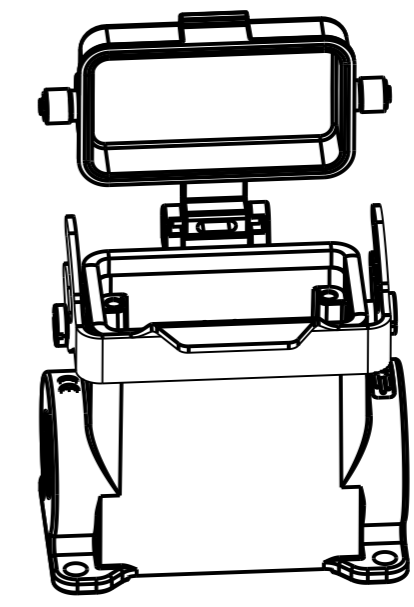
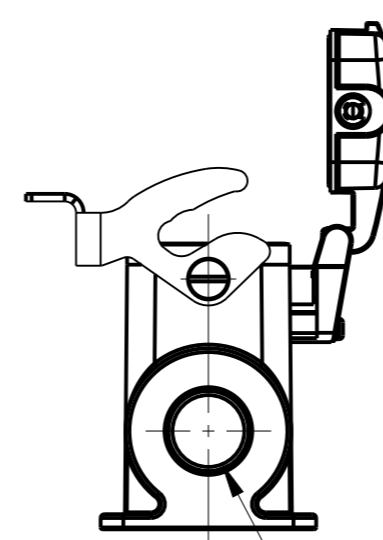
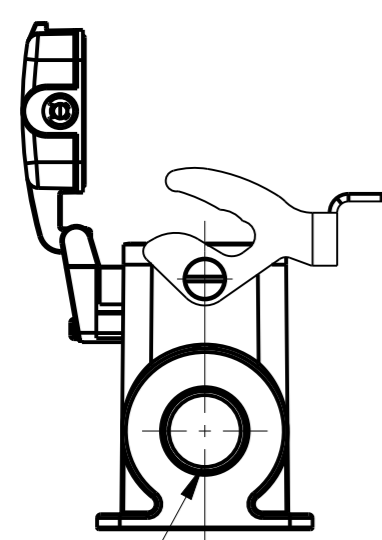
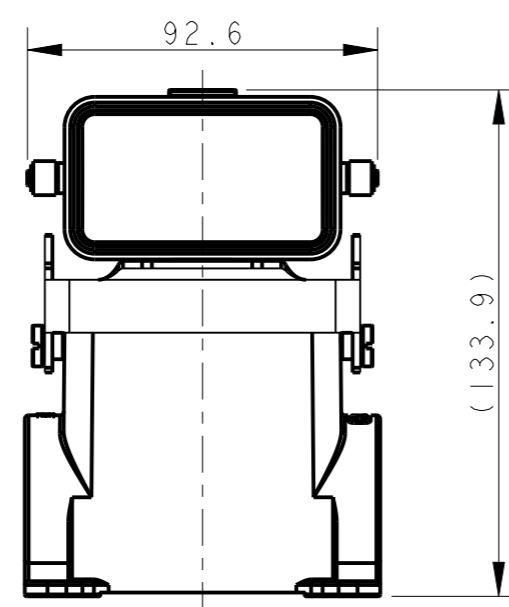
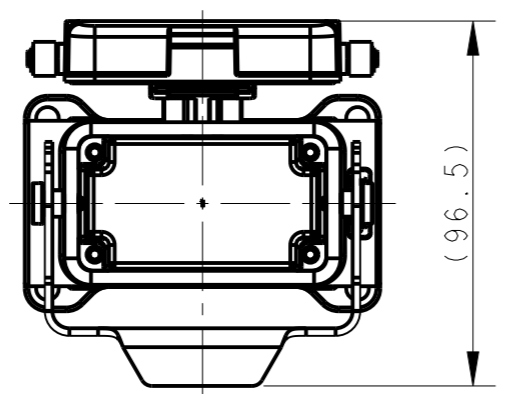
20

© COPYRIGHT 20 BY -

ALL RIGHTS RESERVED.

REVISIONS

P	LTR	DESCRIPTION	DATE	DWN	APVD
-	-	SEE SHEET 1	-	-	-



T1660103321-000	TYPE 2	H10B-SDRHM-LB-PG21	PG21	-
T1660103329-000		H10B-SDRHM-LB-PG29	PG29	-
T1660103332-000		H10B-SDRHM-LB-M32	M32	-
T1660103421-000		H10B-SDRHM-LB-2PG21	PG21	PG21
T1660103429-000		H10B-SDRHM-LB-2PG29	PG29	PG29
T1660103432-000		H10B-SDRHM-LB-2M32	M32	M32
ASSEMBLY PART NUMBER	TYPE	ASSEMBLY PART DESCRIPTION	IG1	IG2

TYPE 2: HIGH BODY + STEEL LOCKING + METAL PROTECTION COVER
 OTHER SPEC REFER TO TYPE 1

THIS DRAWING IS A CONTROLLED DOCUMENT.		DWN	DAVID LI	25JUN2015	TE TE Connectivity			
DIMENSIONS: mm		CHK	CHRIS WANG	25JUN2015				
TOLERANCES UNLESS OTHERWISE SPECIFIED:		APVD	XU XIANG	25JUN2015				
0 PLC ±- 1 PLC ±- 2 PLC ±- 3 PLC ±- 4 PLC ±- ANGLES ±-		PRODUCT SPEC	108-137013					
MATERIAL	TBD	FINISH	-	-	NAME	H10B-SDRHM-LB-PG/M		
WEIGHT		-		SIZE	A3	CAGE CODE	-	
CUSTOMER DRAWING		SCALE		1:2	SHEET	2 OF 2	REV	B

单击下面可查看定价，库存，交付和生命周期等信息

[>>TE Connectivity\(泰科\)](#)