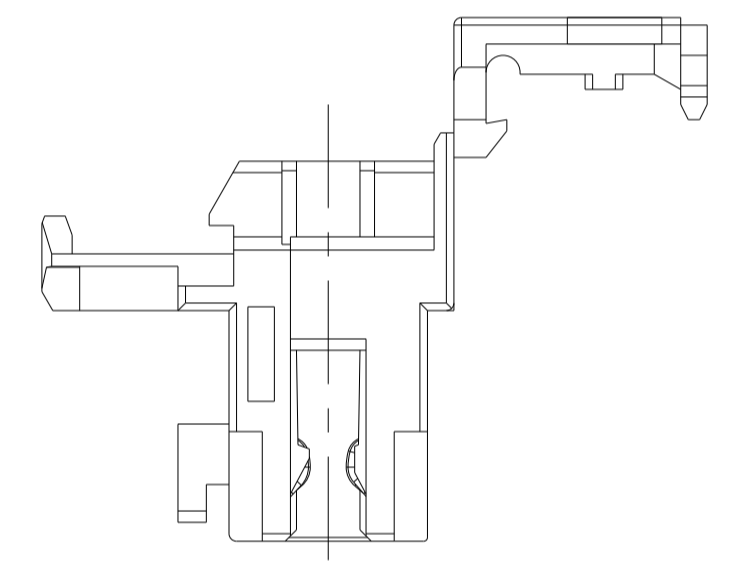
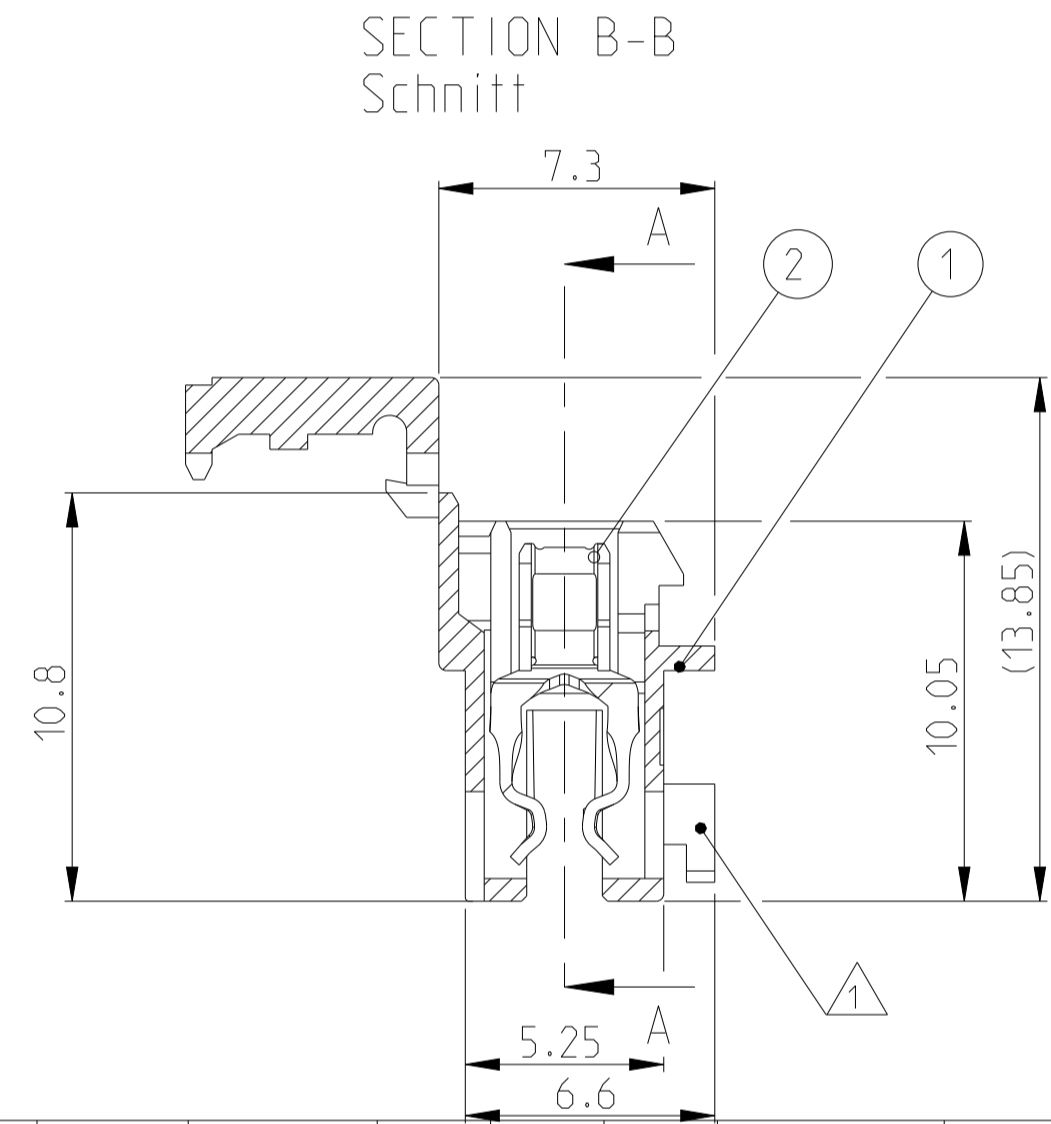
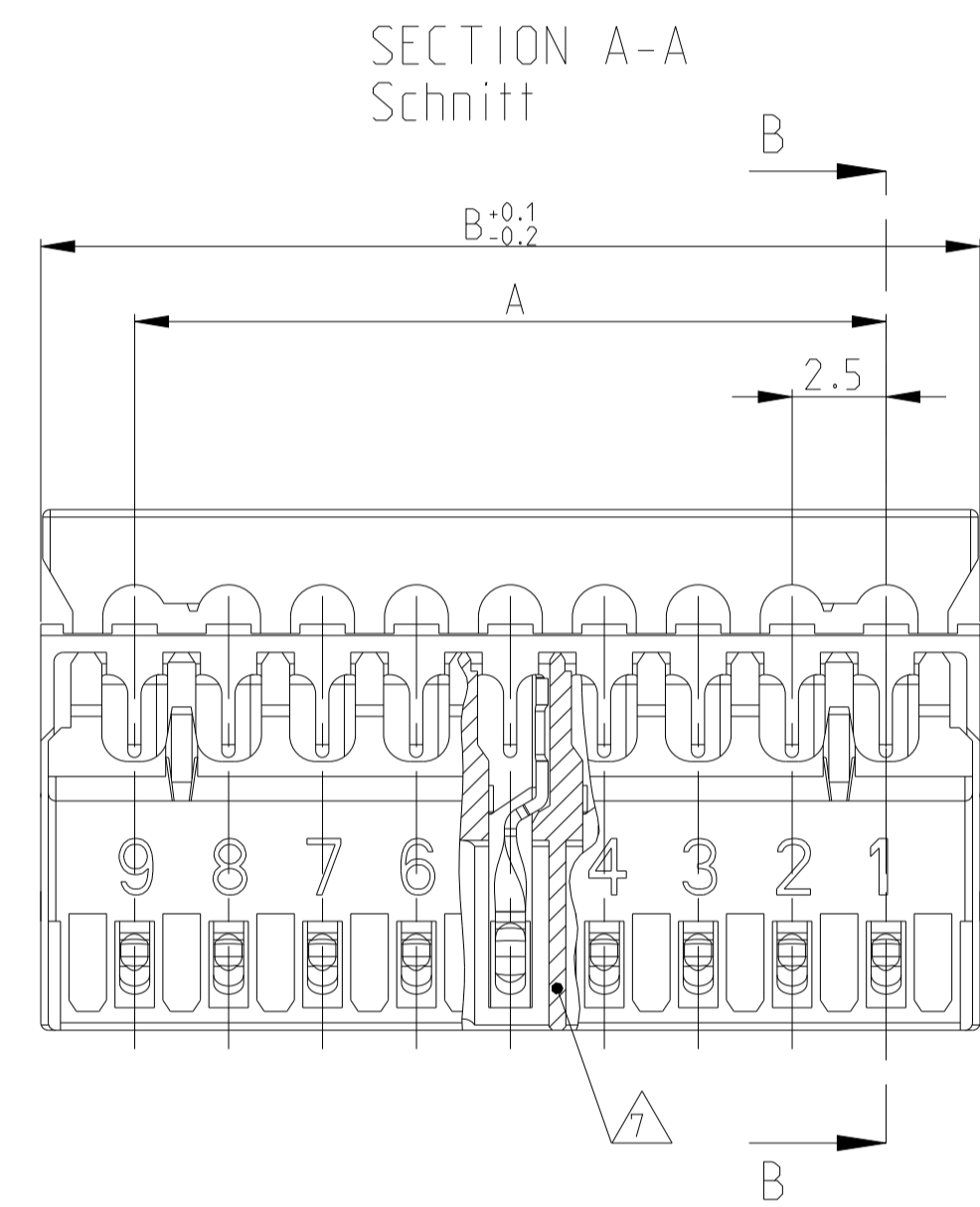
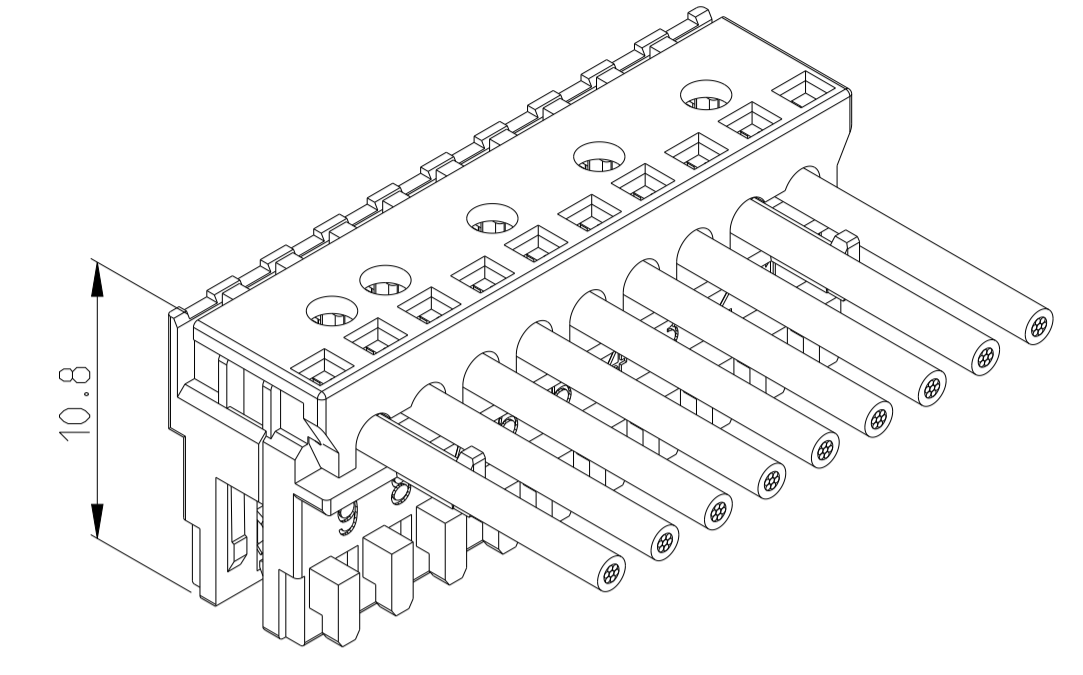
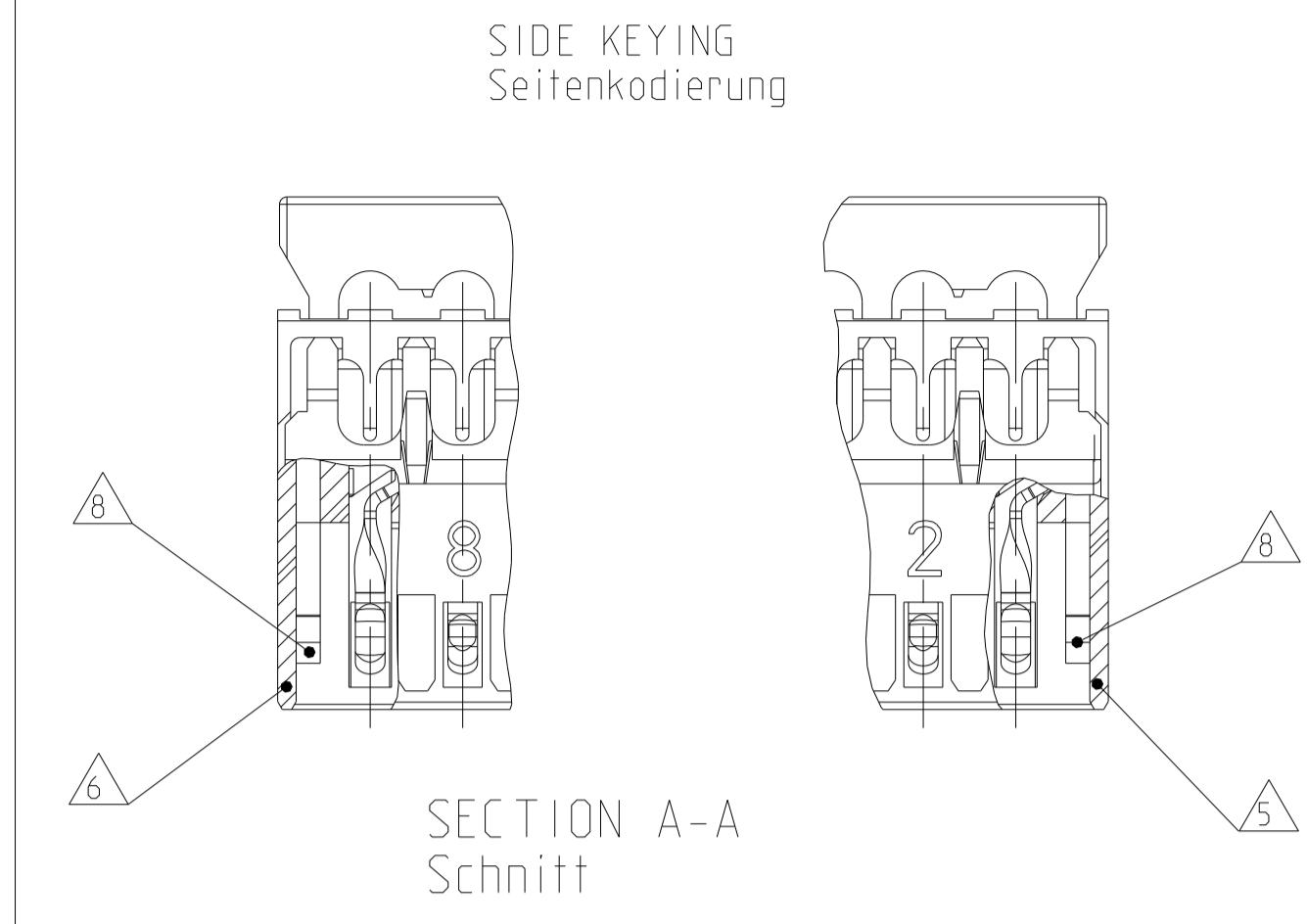
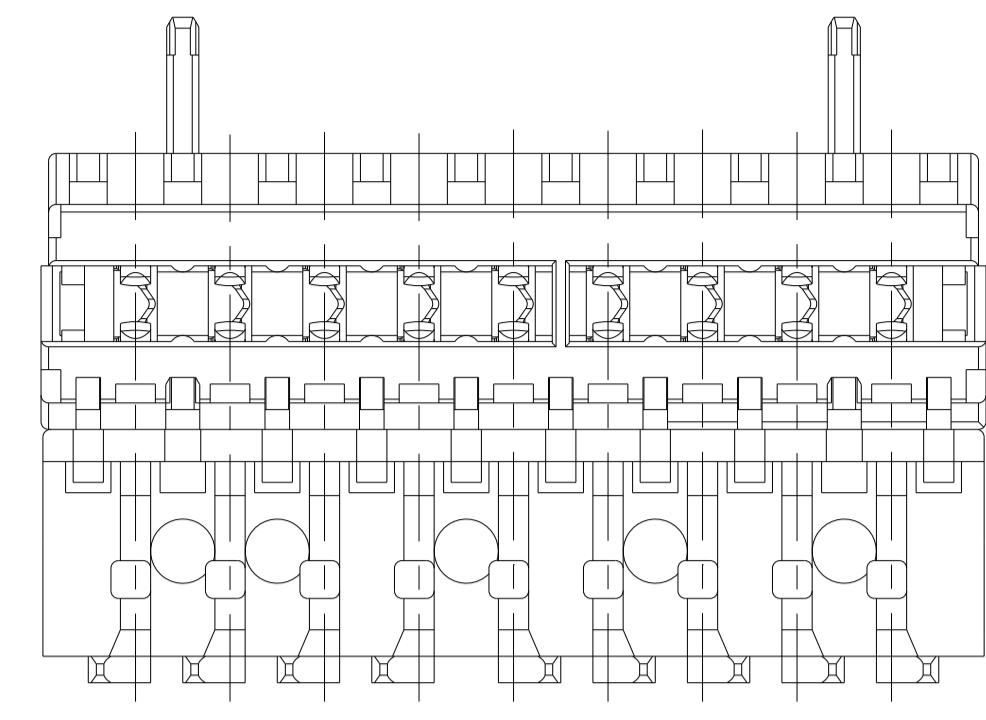
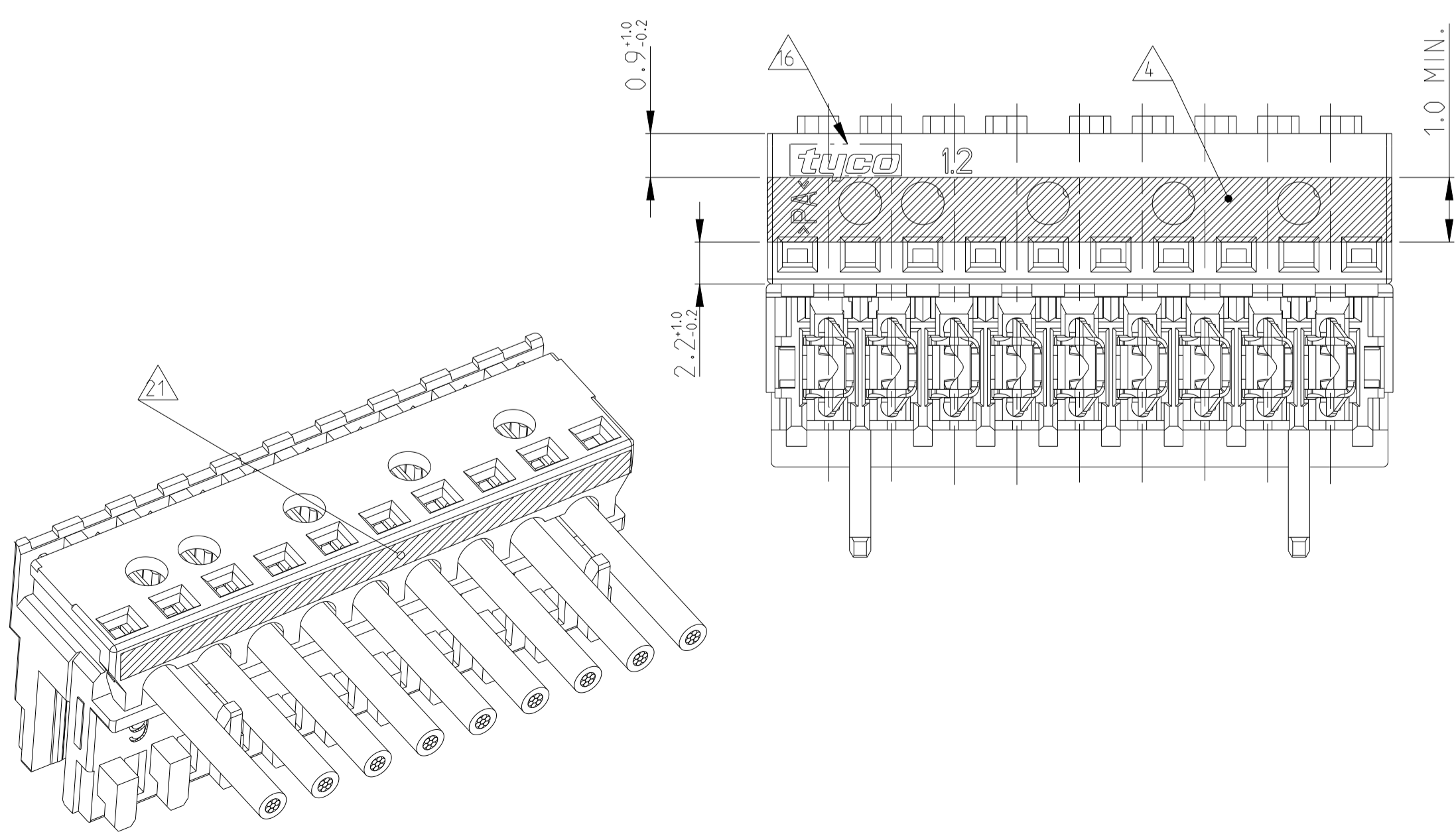


LOC		DIST		REVISIONS			
A1		-		REV	DATE	BY	APPV
B19	ECR-20-100617				05NOV2020	W W	FL
B20	ECR-21-104617				10JUN2021	KD	FL
B21	ECR-21-105810				05JUL2021	SM	FL



- 21 STRIPE IN YELLOW COLOR WHERE SHOWN PRESENT ON THE PARTS PRODUCED IN TE COLLEGNO ONLY
- 20 OBSOLETE
- 19 SPECIAL PCB LOCKING SEE SHEET 3
- 18 SPECIAL PCB LOCKING SEE SHEET 3
- 17 PRELIMINARY PART NOT YET RELEASED FOR PRODUCTION
- 16 TE LOGO
- 10-15 SEE SHEET 2 Siehe Blatt 2
- 9 IEC 60695-2-11 / IEC 60335-1 GLOW WIRE TEST 750 °C WITHOUT FLAME
IEC 60695-2-11 / IEC 60335-1 Gluehdrahttest 750 °C ohne Flamme
- 8 LOCKING HOOK BEFORE CAVITY NO. 1 AND AFTER LAST CAVITY
Rasthaken vor Kammernummer Nr. 1 und nach letzter Kammer
- 7 ADDITIONAL KEYING RIB BETWEEN CAVITY NO. Zusätzliche Kodierrippe zwischen Kammer Nr.
- 6 SIDE KEYING, ON LAST CAVITY
Seitenkodierung, bei letzter Kammer
- 5 SIDE KEYING, ON CAVITY NO. 1
Seitenkodierung, bei Kammer Nr. 1
- 4 COLOR STRIP ON COVER OF HOUSING. NOT THE COLOR OF HOUSING
- 3 MATING PART: PCB ACCORDING TO SHEET 2 OF 2
Passender Gegenstecker: Leiterplatten siehe Blatt 2 von 2
- 2 WIRE RANGE: 0.22-0.35mm². SEE APPLICATION SPEC. 114-18467
Drahtgroessenbereich: 0.22-0.35mm², siehe Verarbeitungsspec. 114-18467
- 1 KEYING RIBS; CUTTING WITH TERMINATION MACHINE POSSIBLE
Kodierrippe; Schneiden auf der Verarbeitungsmaschine moeglich

POS. Polzahl	DIM "A"	DIM "B"	KEYING	KEYING	KEYING	LOCKING HOOK	LOCKING HOOK	LOCKING HOOK
20	47.5	52.4						
19	45	49.9						
18	42.5	47.4						
17	40	44.9						
16	37.5	42.4						
15	35	39.9						
14	32.5	37.4						
13	30	34.9						
12	27.5	32.4						
11	25	29.9						
10	22.5	27.4	2/3				X	X
9	20	24.9						
8	17.5	22.4	5/6	X	X			X
7	15	19.9	3/4	X	X			X
6	12.5	17.4	2/3	X	X			X
6	12.5	17.4	-	X	X			X
5	10	14.9	-	-	X			X
5	10	14.9	-	X	X			X
5	10	14.9	4/5	X	X			X
5	10	14.9	-	X	-			X
4	7.5	12.4	-	X	-			X
4	7.5	12.4	3/4	X	X			X
4	7.5	12.4	-	X	X			X
3	5.0	9.9	2/3	-	-	X		-
3	5.0	9.9	2/3	-	X			X
3	5.0	9.9	1/2	X	X			X
Green	3	5.0	9.9	1/2	-	-		X
3	5.0	9.9	2/3	X	X			X
3	5.0	9.9	-	X	X			X
3	5.0	9.9	-	-	X			X
Red	3	5.0	9.9	-	X	-		X
Green	3	5.0	9.9	-	X	-		X
2	2.5	7.4	-	-	X			X



THIS DRAWING IS A CONTROLLED DOCUMENT.

DIMENSIONS: mm

TOLERANCES UNLESS OTHERWISE SPECIFIED:

0 PLC	±0.2
1 PLC	±0.2
2 PLC	±0.2
3 PLC	±0.2
4 PLC	±0.2
ANGLES	±0.1
FINISH	±0.1

MATERIAL: SEE TABLE

PN Bestell-Nr. 114-18467

DATE: 27.10.2005

BY: H. Alzmann

CHK: B. Schnaubelt

APPV: T. Klenner

PRODUCT SPEC: 108-18785

APPLICATION SPEC: 114-18467

WEIGHT: -

CUSTOMER DRAWING

SCALE: 5:1

SHEET: 1 of 3

REV: B22

CONTACT/Kontakt: CuSn

HOUSING/Gehauese: PA 6 GF UL94V-2

DESCRIPTION: AMP DUOPLUG 2.5 MKII FEMALE CONNECTOR 3-20 POSITION (WITH PCB LOCKING)

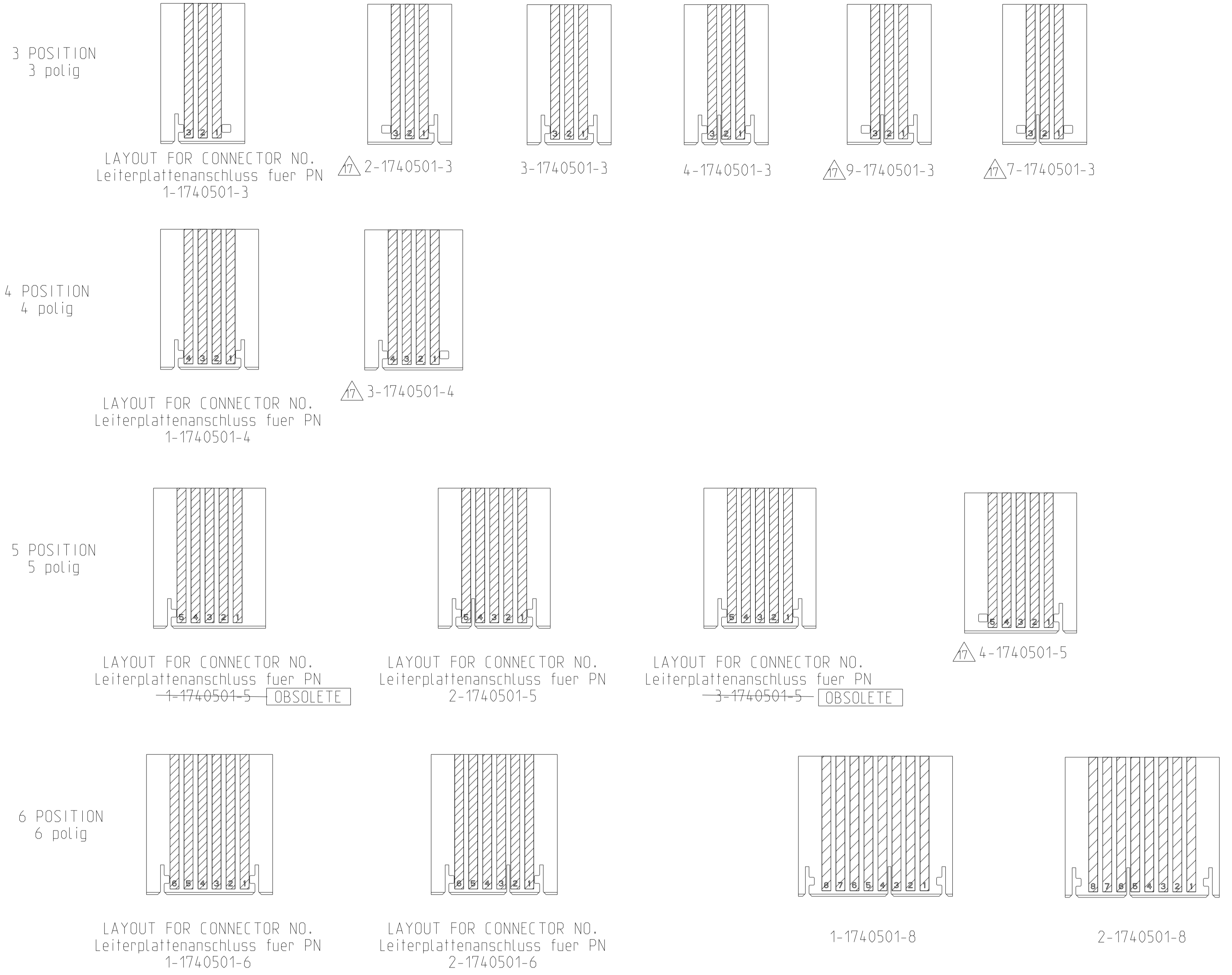
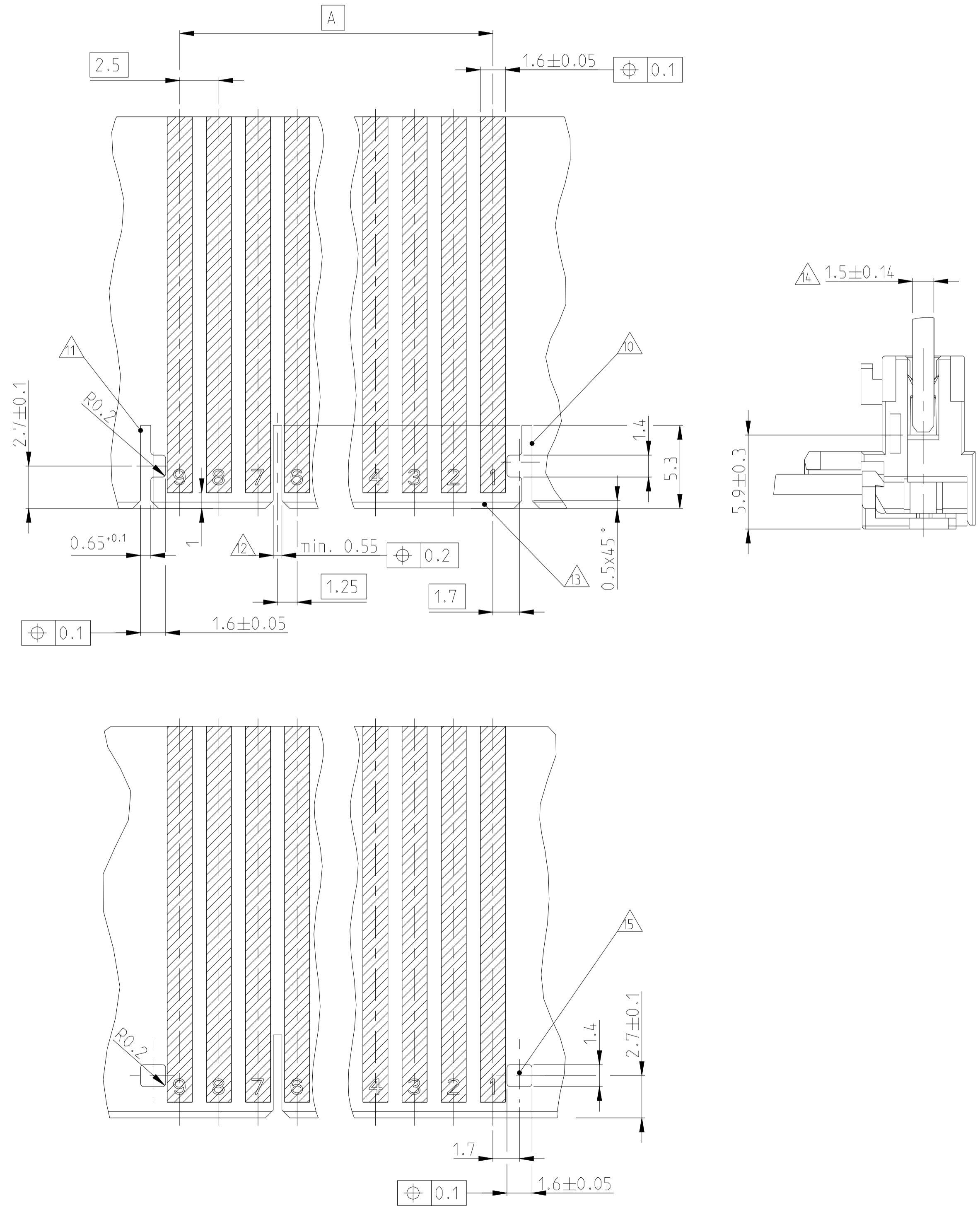
MATERIAL: PA 6 GF UL94V-2

COLOUR/FINISH: NATURE/natur

TE Connectivity

PCB LAYOUT IN GENERAL
Leiterplattenanschluss allgemein

3-20 POSITION
3-20 polig



- △11 WINDOW FOR LOCKING HOOK
Fenster fuer Rasthaken
- △14 INCLUSIVE COPPER CLADDING, SINGLE OR DOUBLE SIDED
Inklusive Kupferkaschierung, ein oder doppelseitig
- △13 PCB TO BE PREFERABLY CHAMFERED
Leiterplatte vorzugsweise angefast
- △12 SLOT FOR ADDITIONAL KEYING RIB BETWEEN CAVITY NO.
Schlitz fuer zusaetzliche Kodierrippe zwischen Kammer Nr.
- △11 SLOT FOR SIDE KEYING, ON LAST CAVITY
Schlitz fuer Seitenkodierung, bei letzter Kammer
- △10 SLOT FOR SIDE KEYING, ON CAVITY NO. 1
Schlitz fuer Seitenkodierung, bei Kammer Nr. 1
- △1 - △9 SEE SHEET 1
Siehe Blatt 1

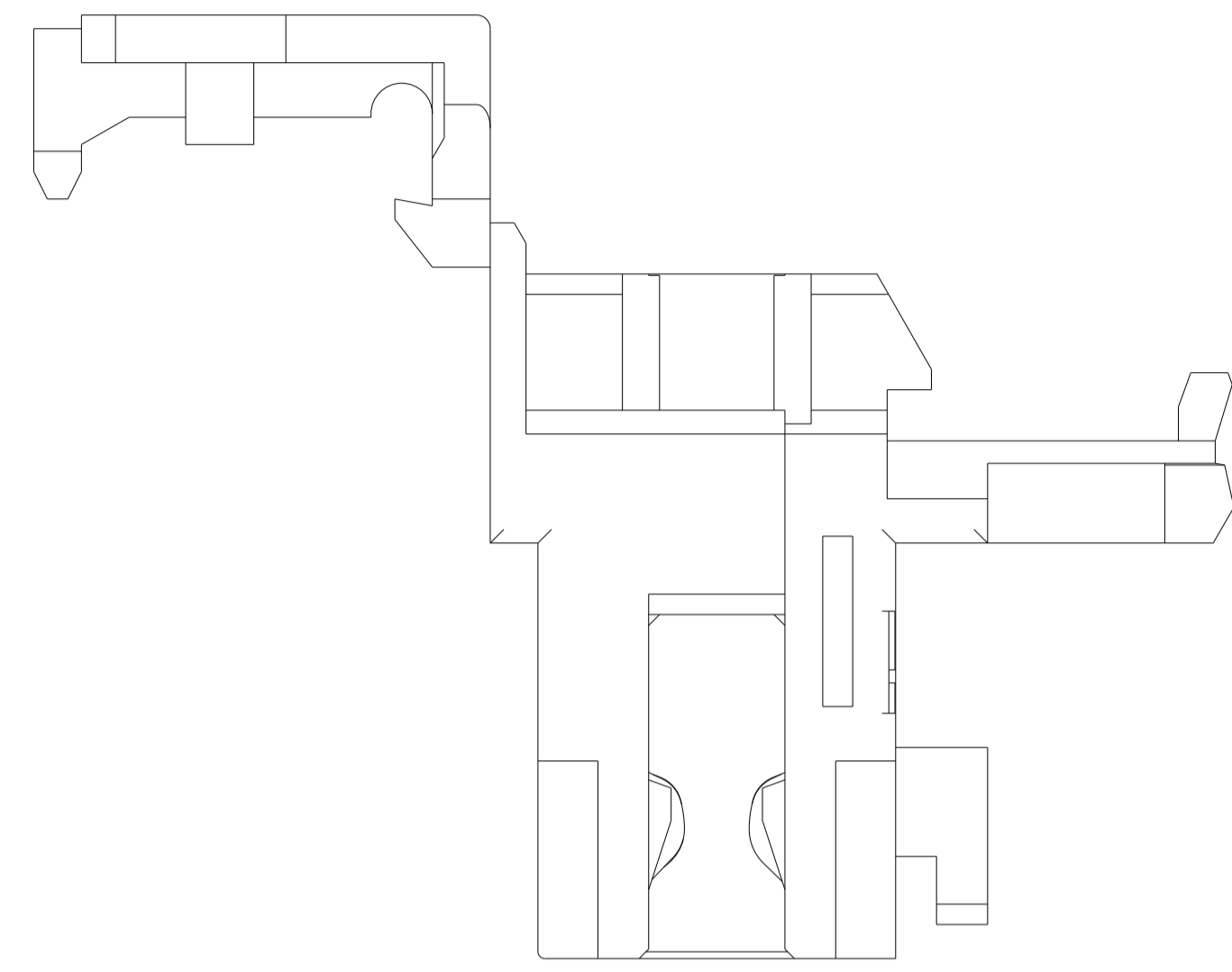
LOC	DIST	REVISIONS			
P	LTN	DESCRIPTION	DATE	DMN	APVD
-	-	SEE SHEET 1	-	-	-

THIS DRAWING IS A CONTROLLED DOCUMENT.		OWN H. Alzmann	27.10.2005		NAME AMP DUOPLUG 2.5 MKII FEMALE CONNECTOR 3-20 POSITION (WITH PCB LOCKING)
DIMENSIONS:		CHK B. Schnaubelt	27.10.2005		
mm		APVD T. Klenner	27.10.2005		
TOLERANCES UNLESS OTHERWISE SPECIFIED:		PRODUCT SPEC 108-18785 APPLICATION SPEC 114-18467			
MATERIAL SEE TABLE		FINISH	WEIGHT	SIZE A1	RESTRICTED TO
				CAGE CODE 00779	DRAWING NO. 1740501
				SCALE 7:1	SHEET 2 OF 3
				CUSTOMER DRAWING	REV B22

THIS DRAWING IS UNPUBLISHED. RELEASED FOR PUBLICATION 2005
 © COPYRIGHT 2005 ALL RIGHTS RESERVED.

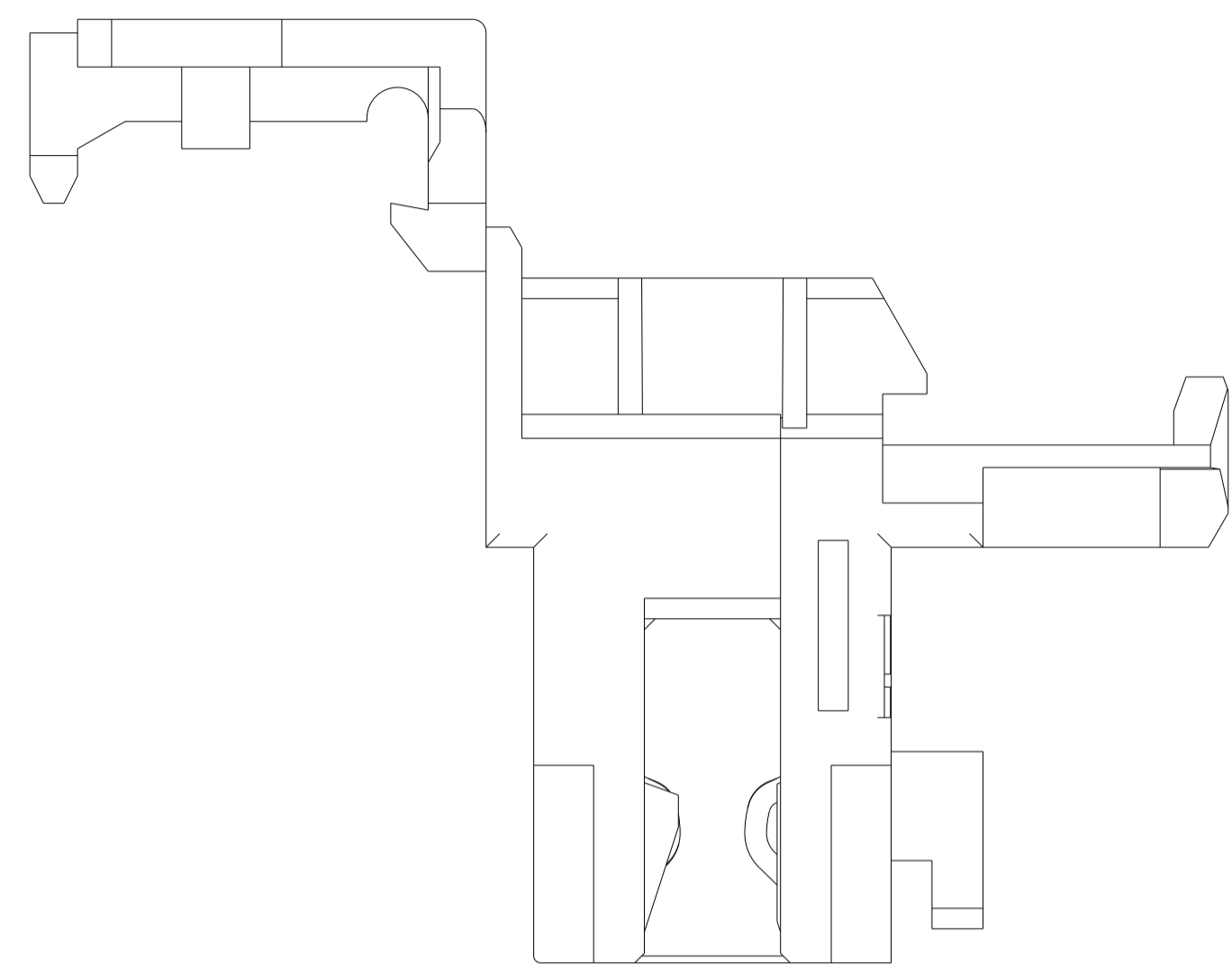
LOC		DIST		REVISIONS			
P	LTN	DESCRIPTION	DATE	DWN	APVD		
-		SEE SHEET 1	-	-	-		

18 SPECIAL PCB LOCKING VERSION



10:1

19 SPECIAL PCB LOCKING VERSION



10:1

THIS DRAWING IS A CONTROLLED DOCUMENT.		DWN H. Alzmann 27.10.2005	TE Connectivity	
DIMENSIONS: mm		CHK B. Schnaubelt 27.10.2005	NAME AMP DUOPLUG 2.5 MKII FEMALE CONNECTOR 3-20 POSITION (WITH PCB LOCKING)	
TOLERANCES UNLESS OTHERWISE SPECIFIED:		APVD T. Klenner 27.10.2005	RESTRICTED TO	
0 PLC	±0.2	PRODUCT SPEC	SIZE CAGE CODE DRAWING NO	
1 PLC	±0.2	108-18785	A 1 00779 C=1740501	
2 PLC	±0.2	APPLICATION SPEC	SCALE SHEET 3 OF 3	
3 PLC	±	116-18467	REVISION B22	
4 PLC	±	WEIGHT -		
ANGLES	±1°	CUSTOMER DRAWING		
FINISH	-			

单击下面可查看定价，库存，交付和生命周期等信息

[>>TE Connectivity\(泰科\)](#)