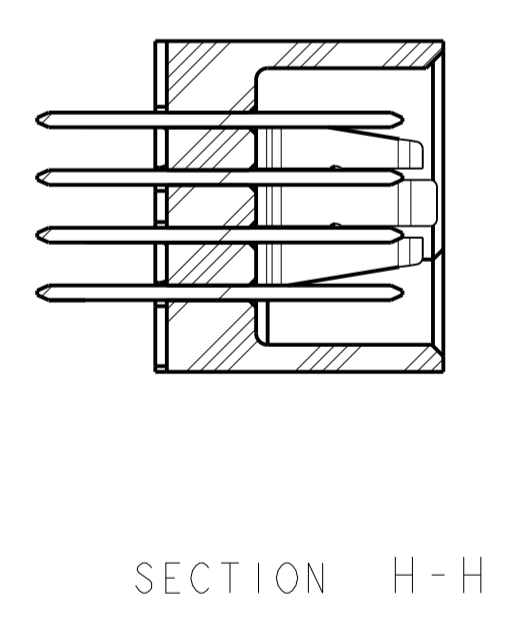
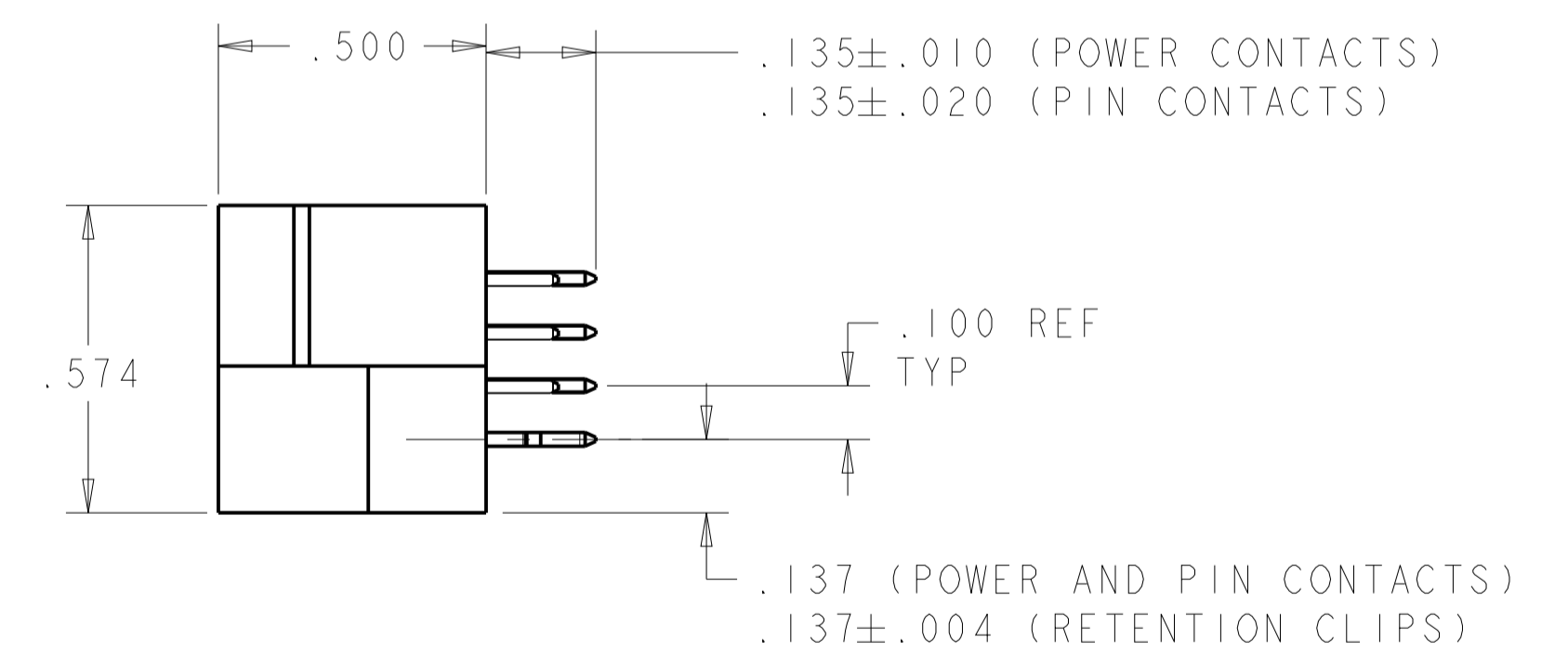
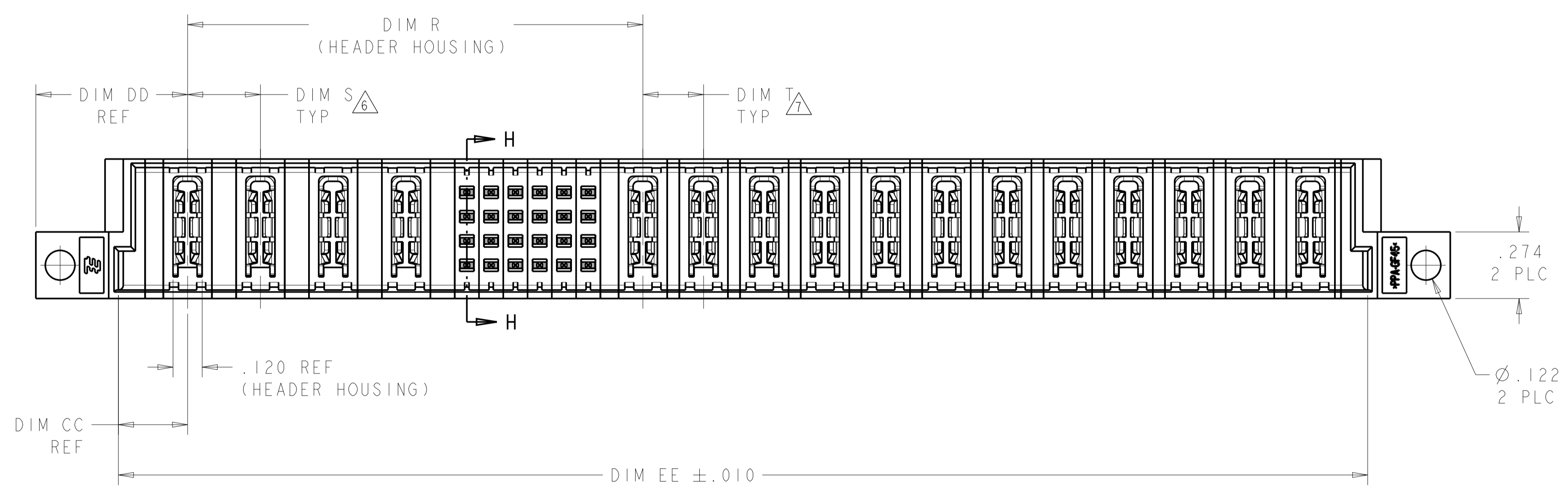
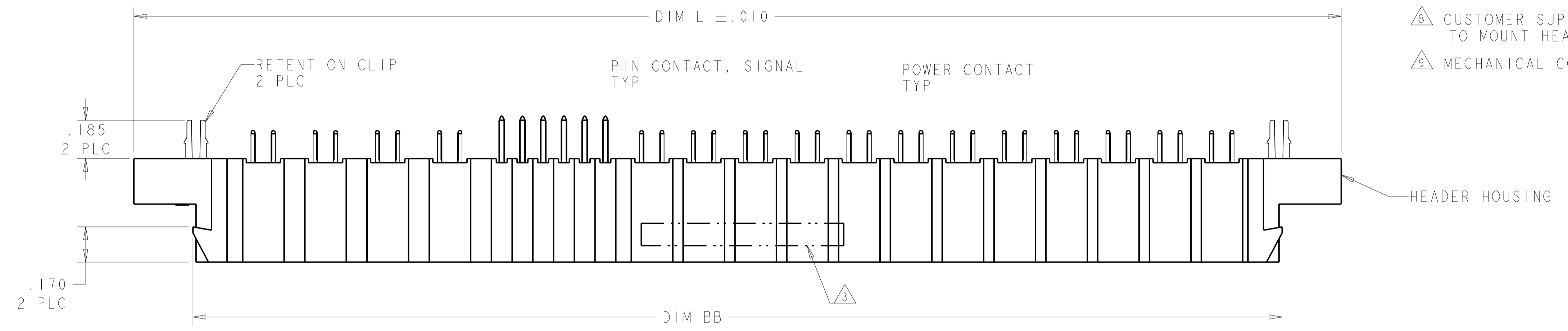
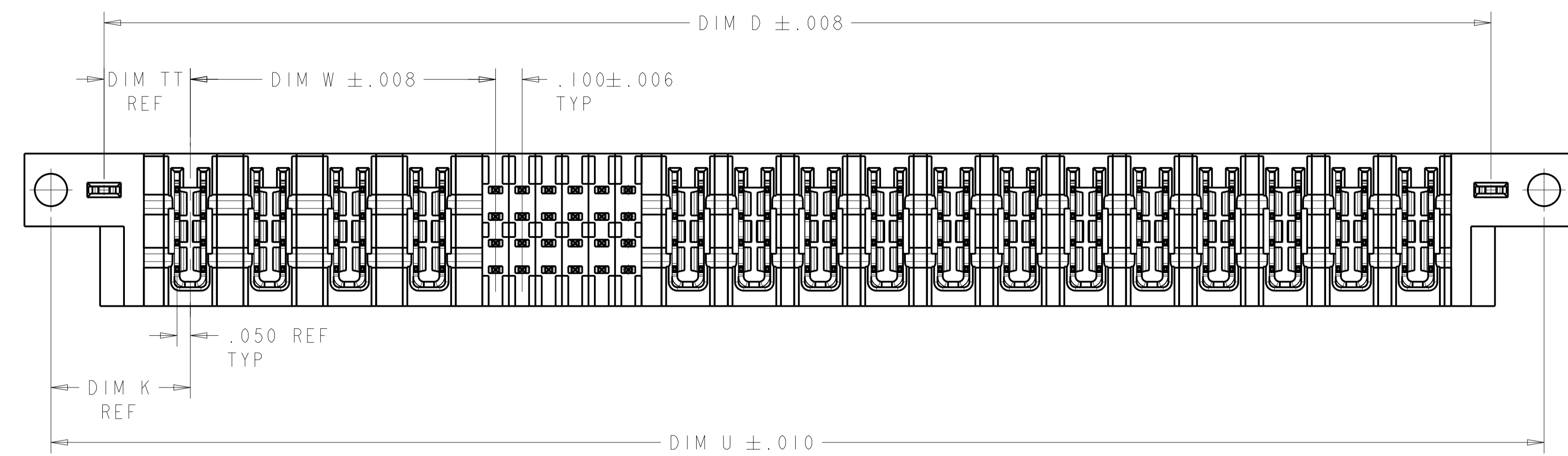


LOC	DIST	REV	DATE	BY	APPV
		A4	23JAN2013	OL	SZ
		A5	25FEB2014	OL	SZ

- 1. HEADER HOUSING: THERMO PLASTIC, BLACK, UL94 V-0; CONTACTS AND RETENTION CLIPS: COPPER ALLOY.
- 2. CONTACT PLATING: NOBLE METAL PLATING ON CONTACT FUNCTIONAL AREA OF POWER AND SIGNAL CONTACTS  
RETENTION CLIP: .000115 MIN TIN.
- 3. "AMP", PART NUMBER AND DATE CODE MARKED IN THIS AREA. PARTS UNDER 2.50 LONG MAY BE MARKED ON BOTH SIDES.
- 4. DATUM AND BASIC DIMENSIONS ESTABLISHED BY CUSTOMER.
- 5. PCB - ALL HOLE DIAMETERS ARE FINISHED HOLE SIZES.
- 6. APPLIES TO POWER MODULES ON LEFT SIDE OF SIGNAL CAVITIES OF HOUSING.
- 7. APPLIES TO POWER MODULES ON RIGHT SIDE OF SIGNAL CAVITIES OF HOUSING.
- 8. CUSTOMER SUPPLIES (2) #4-40UNC SCREWS, HARDWARE TO BE USED TO MOUNT HEADER ASSEMBLY TO PC BOARD.
- 9. MECHANICAL CONNECTOR KEEP OUT ZONE.



A2	1.120	.550	.210	1.230	.250	.200	1.600	-	-	.700	1.800	.450	1.200	YES	1P + 16S + 1P	6600380-5
A1	2.170	.625	.285	2.280	.325	.550	2.650	.300	.300	1.300	2.850	.525	2.250	YES	2ACP + 24S + 2ACP	6600380-4
	1.920	.575	.235	2.030	.275	.475	2.400	.250	.250	1.200	2.600	.475	2.000	YES	2P + 24S + 2P	6600380-3
	1.420	.575	.235	1.530	.275	.225	1.900	-	-	.950	2.100	.475	1.500	YES	1P + 24S + 1P	6600380-2
	5.145	.625	.285	5.255	.325	1.150	5.625	.250	.300	1.875	5.825	.525	5.225	YES	4ACP + 24S + 12P	6600380-1
	DIM "EE"	DIM "DD"	DIM "CC"	DIM "BB"	DIM "TT"	DIM "W"	DIM "U"	DIM "T"	DIM "S"	DIM "R"	DIM "L"	DIM "K"	DIM "D"	RETENTION CLIP	DESCRIPTION	PART NUMBER

THIS DRAWING IS A CONTROLLED DOCUMENT.

DIMENSIONS: INCH

TOLERANCES UNLESS OTHERWISE SPECIFIED:

0 PLC	±
1 PLC	±
2 PLC	±
3 PLC	±
4 PLC	±
ANGLES	±

MATERIAL: **1**

FINISH: **2**

Customer Drawing

DATE: 22MAR2005

BY: J. McCLINTON

CHECKED: D. TROUT

APPROVED: P. WILBYNE

PRODUCT SPEC: 108-1973

APPLICATION SPEC: 114-13038

WEIGHT: -

SCALE: 3:1

SHEET 1 OF 4

REV A5

**STE** TE Connectivity

NAME: VERTICAL HEADER ASSEMBLY, W/LATCH RECEIVER, SOLDERTAIL, TYPE PSP, MULTI-BEAM XL

SIZE: A1

CAGE CODE: 100779

DRAWING NO: 6600380







单击下面可查看定价，库存，交付和生命周期等信息

[>>TE Connectivity\(泰科\)](#)