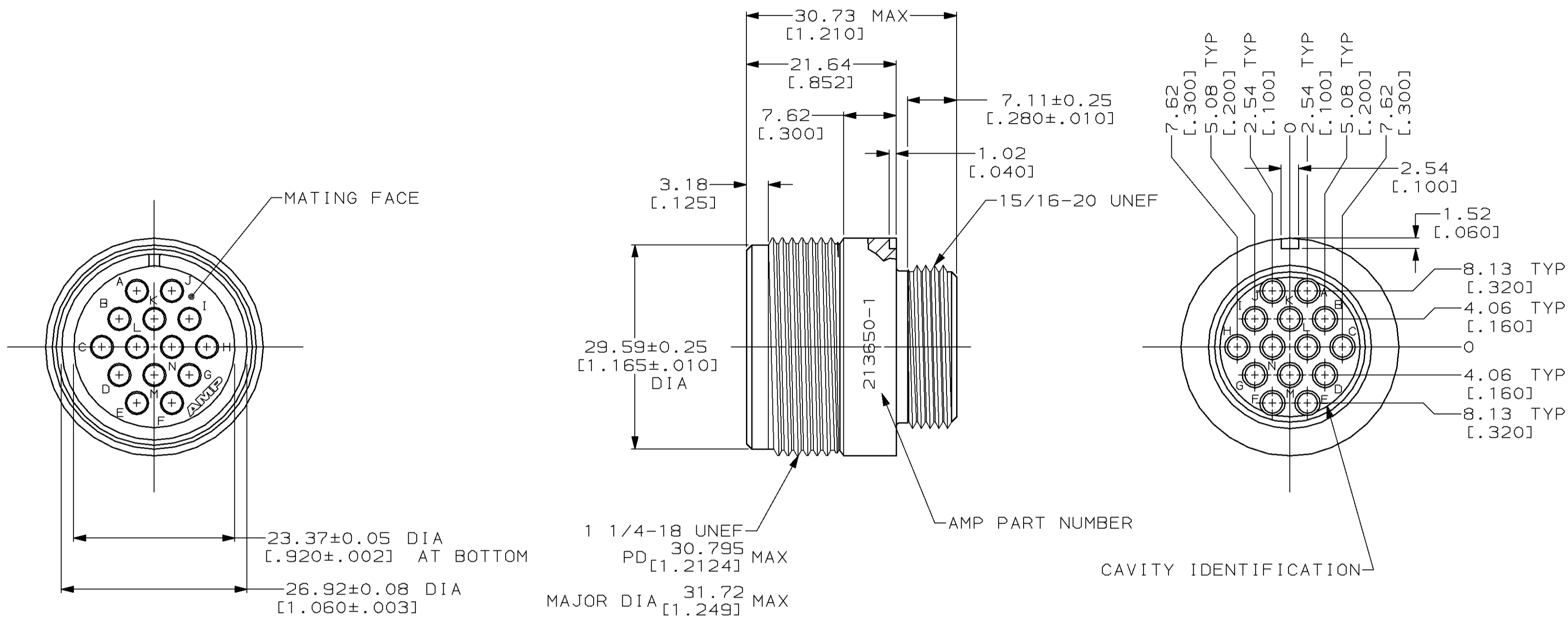


MOD		LOC		DIST		P		F		REVISIONS			
ZONE	LTR	DESCRIPTION		DATE	APPD								
4	BD	35								O	RLSE PER NPR 3280, WAS 90-5029-23	01/16/91	KB
										A	REV PER ECN BD4781	03/12/91	-
										B	REV PER EC 0020-299-93	04/08/93	RW
										C	REV PER EC 0020-0740-94	07/13/94	AF



1. RECEPTACLE MATES WITH PLUG, AMP PART NUMBER 213572-1.
2. RECEPTACLE WILL ACCEPT TYPE III+ SOCKET CONTACTS.
3. RECEPTACLE MATES WITH PRODUCT DESIGNED TO MIL SPEC 5015.

		213650-1	
		PART NO	
DO NOT SCALE PRINT. UNLESS SPECIFIED DIMENSIONS IN mm [INCHES] TOLERANCES ON : 2 PLC DEC ± 0.13 [.005] 3 PLC DEC ± - ANGLES ± -		AMP AMP Incorporated Harrisburg, PA 17105-3608	
MATERIAL POLYAMID, BLACK		NAME RECEPTACLE, 20-14 ARR, REVERSE SEX, CPC	
FINISH -		DRAWING NO 213650	
DR 01/16/91 L.SIPE CHK 1-30-91 R.STONE APPD 1-30-91 K.BEAVER APPD 1-31-91 J.FULPONI PRODUCT SPEC 108-10024 APPLICATION SPEC 114-10004 WEIGHT -		SIZE CAGE CODE DRAWING NO SCALE 2:1 SHEET 1 OF 1	

单击下面可查看定价，库存，交付和生命周期等信息

[>>TE Connectivity\(泰科\)](#)