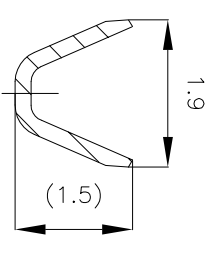
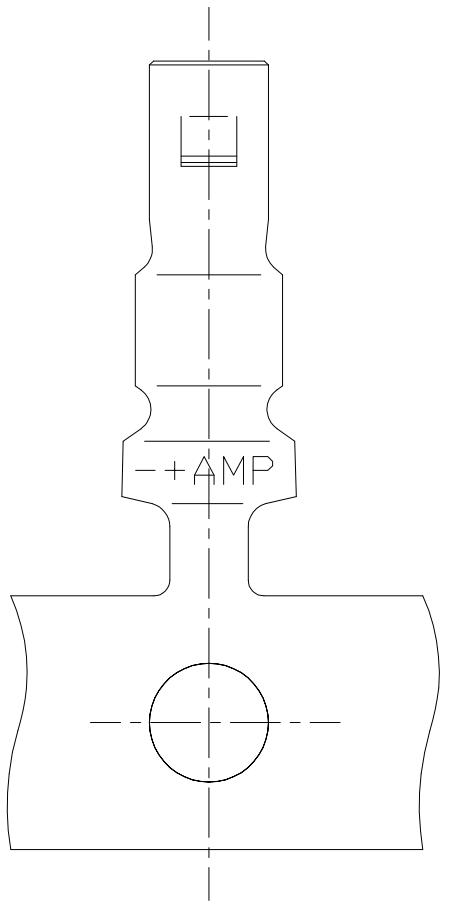
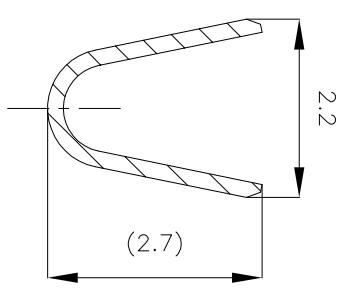


SECT "C"-"C"
 SCALE 20-1



SECT "A"-"A"



SECT "B"-"B"

NOTES:
 1. USE HOUSING: P/N 179228

LOC	DIST	REVISONS	DATE	DMN	APPD
ES	00				
P	LTR	DESCRIPTION			
B4	REVISED	PER ECR-14-003219	10OCT14	T.Q	W.H

GOLD P1T COPPER ALLOY (0.2t)	179227-4
PRE TINNED COPPER ALLOY (0.2t)	179227-1
MATERIAL & FINISH	PART NO.

DMN: T. FURUYA 12NOV93
 CHK: S. KUBOUCHI 15NOV93
 APD: S. KUBOUCHI 15NOV93
 PRODUCT SPEC: 108-60029
 APPLICATION SPEC: 114-5179



TE Connectivity

CRIMP TYPE II RECEPTACLE CONTACT
 (AMP CT CONNECTOR 2mm PITCH)

GENERAL TOLERANCE
 0 < * ≤ 10: ±0.2
 10 < * ≤ 30: ±0.25
 30 < * ≤ 100: ±0.3
 ANGLES: ±3°

DIMENSIONS:	TOLERANCES UNLESS OTHERWISE SPECIFIED
mm	
0 P/C	±
1 P/C	±
2 P/C	±
3 P/C	±
4 P/C	±
ANGLES	±
FINISH	±

THIS DRAWING IS A CONTROLLED DOCUMENT.	SIZE	CAGE CODE	DRAWING NO	RESTRICTED TO
	A2	00779	179227	
MATERIAL	SEE TABLE	FINISH	SEE TABLE	
CUSTOMER DRAWING	SCALE	NTS	SHEET	1 OF 1
			REV	B4

单击下面可查看定价，库存，交付和生命周期等信息

[>>TE Connectivity\(泰科\)](#)