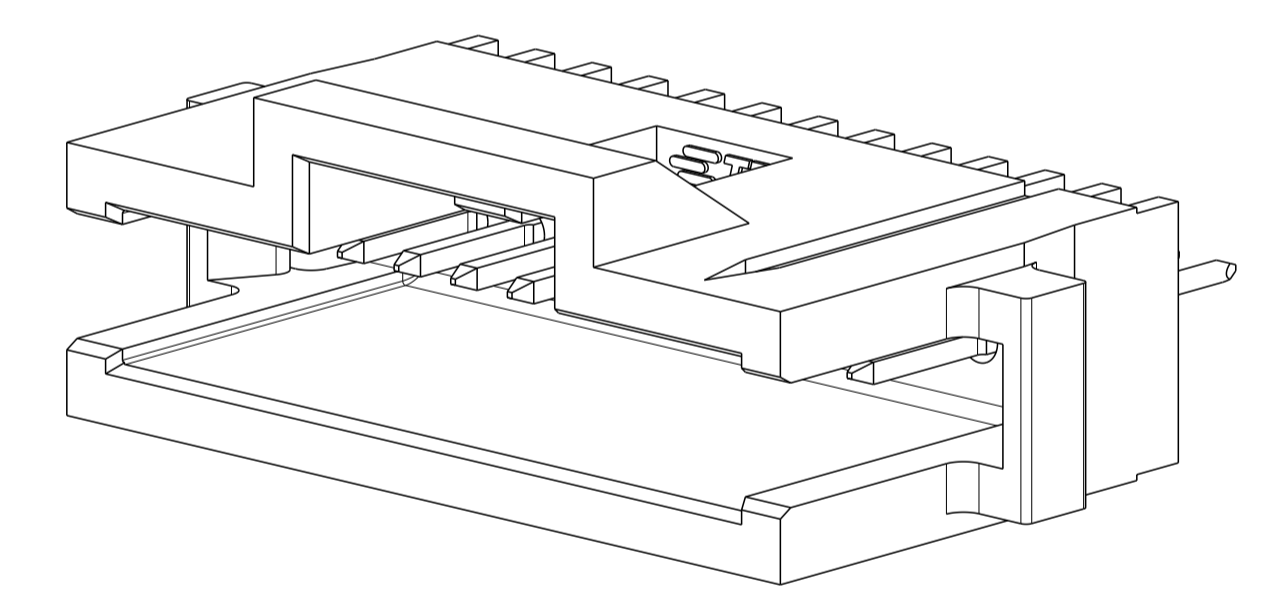
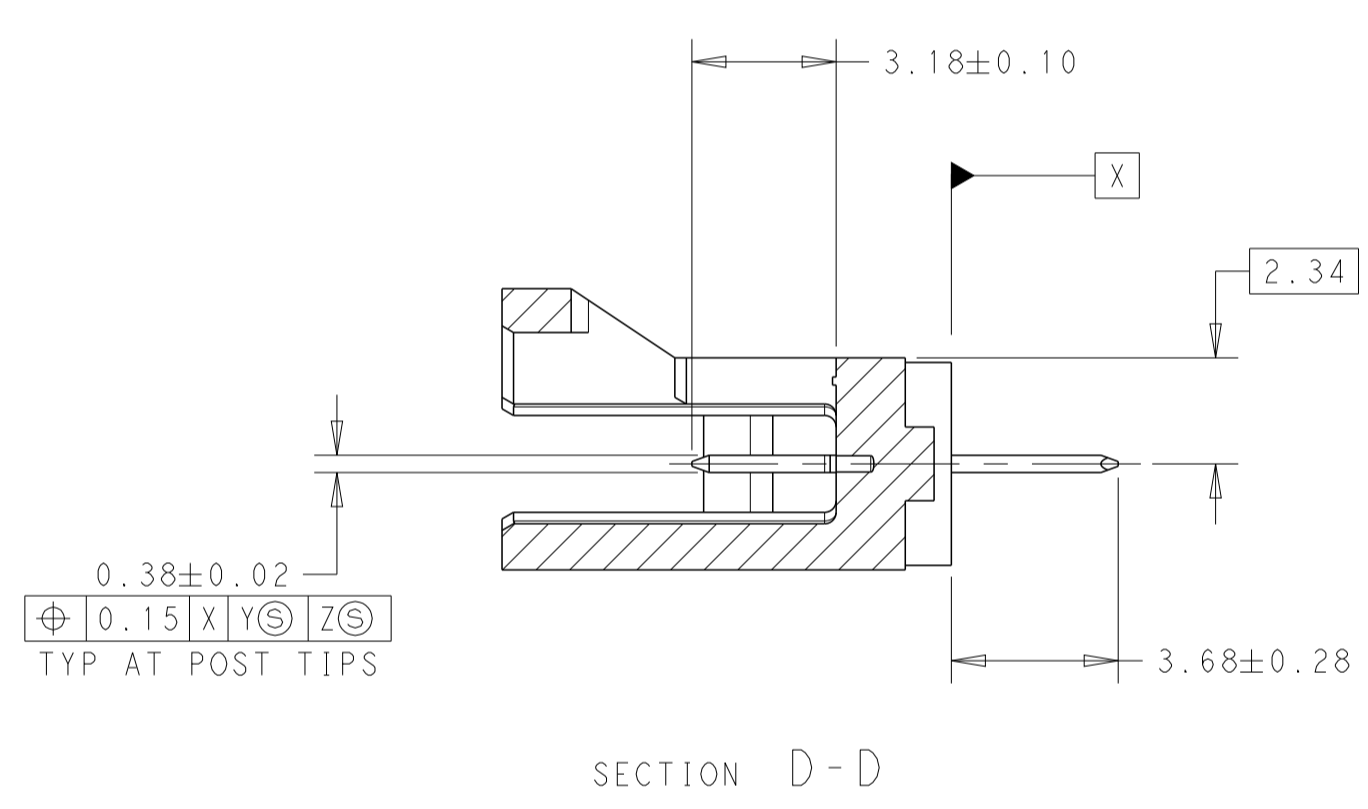
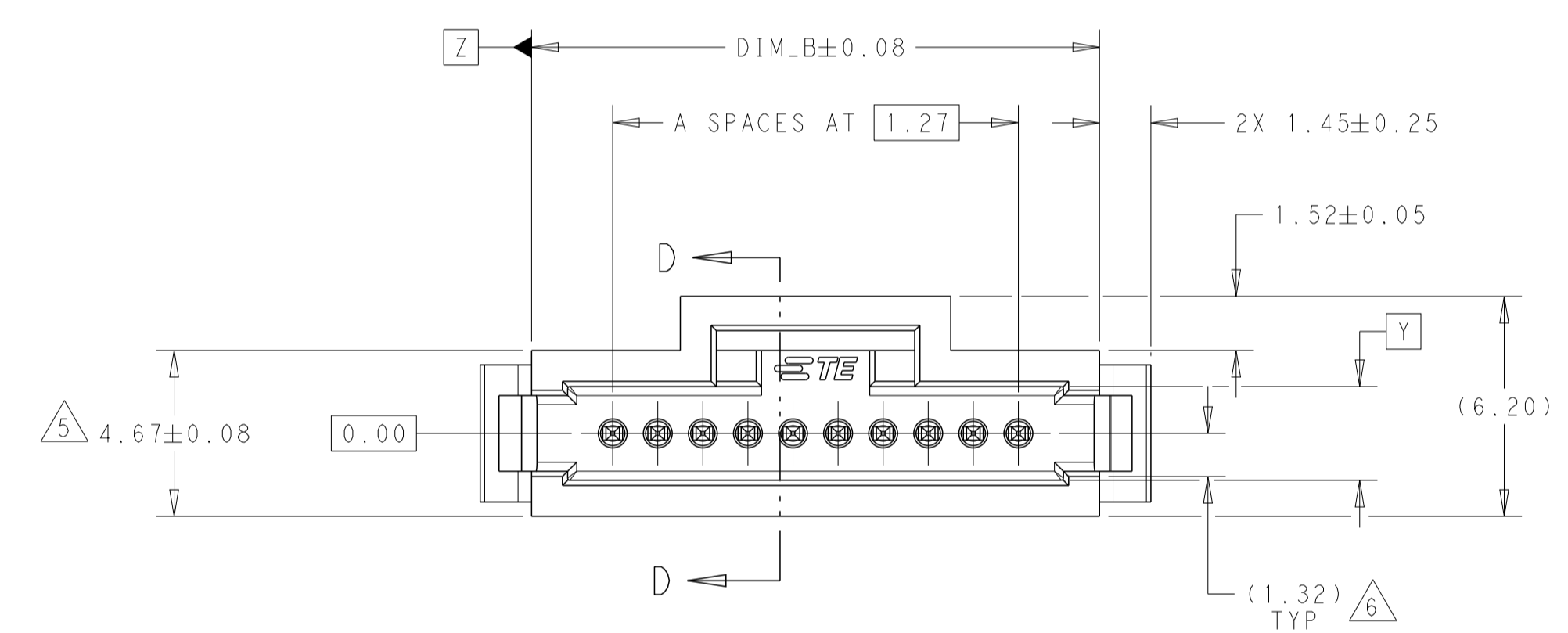
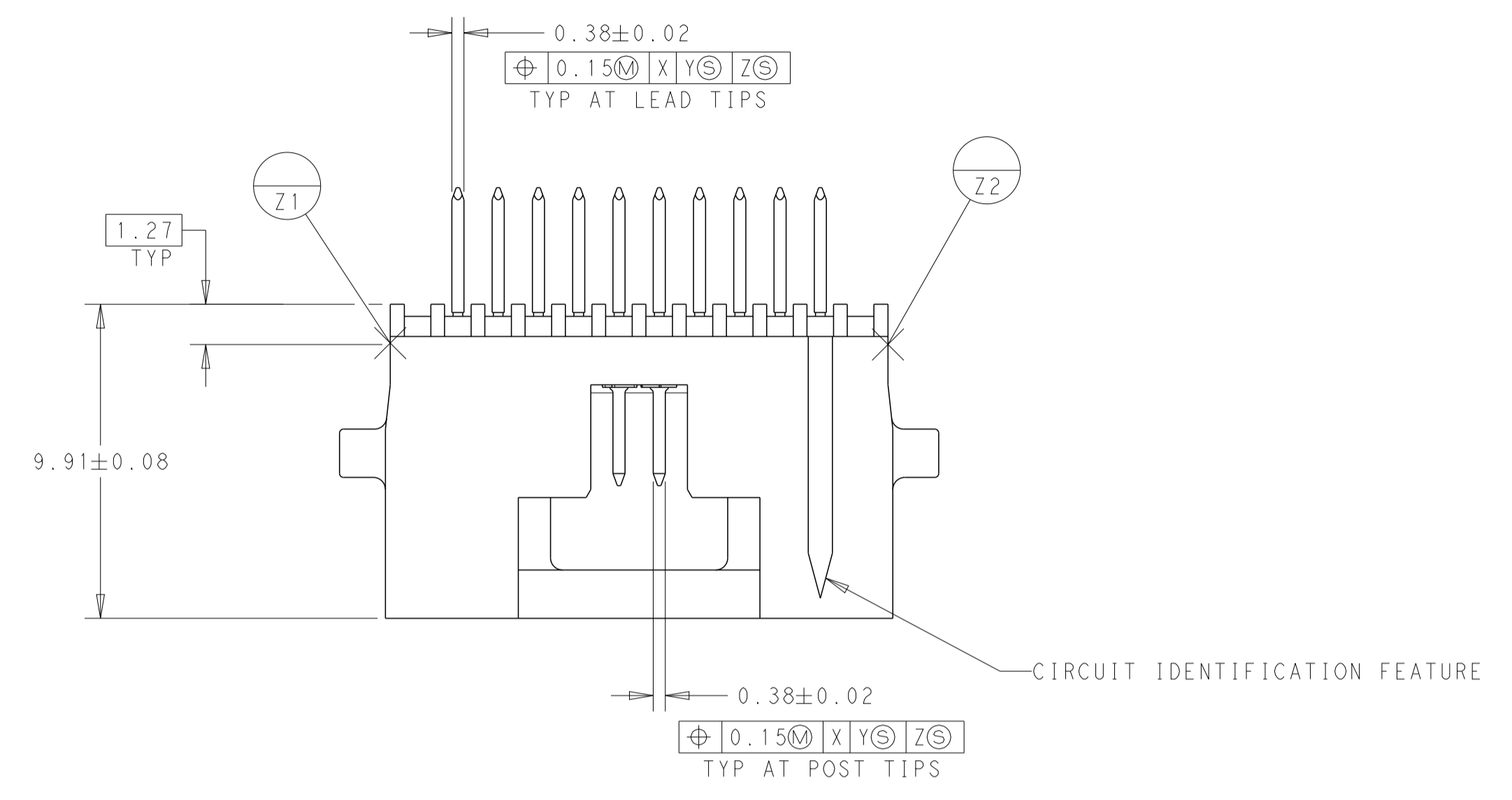
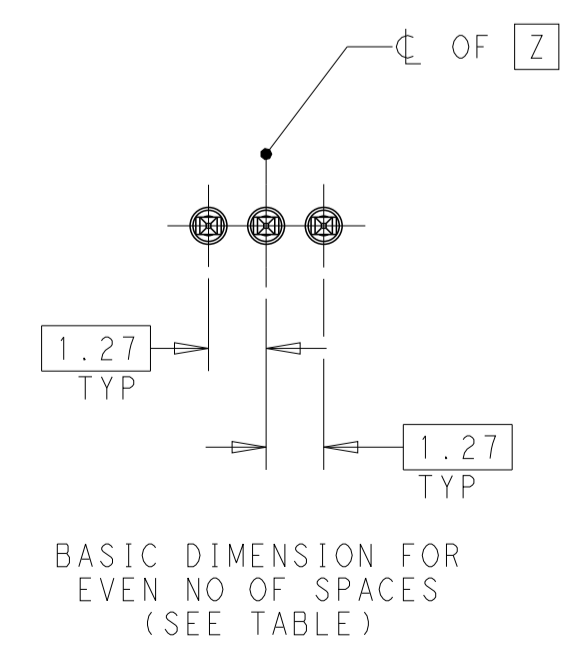
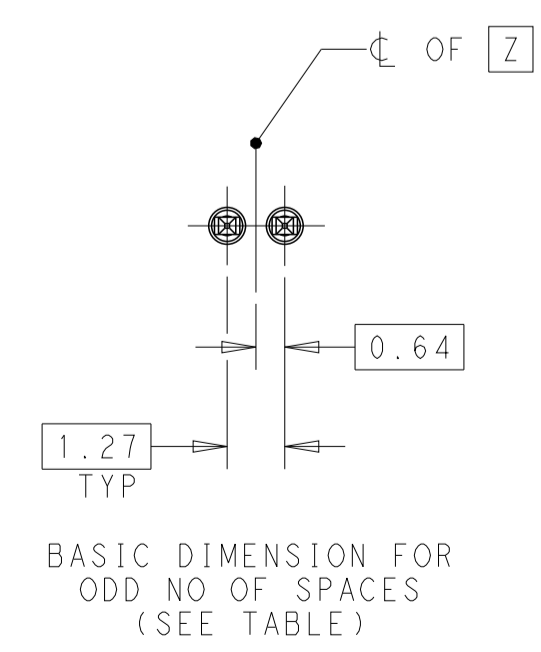
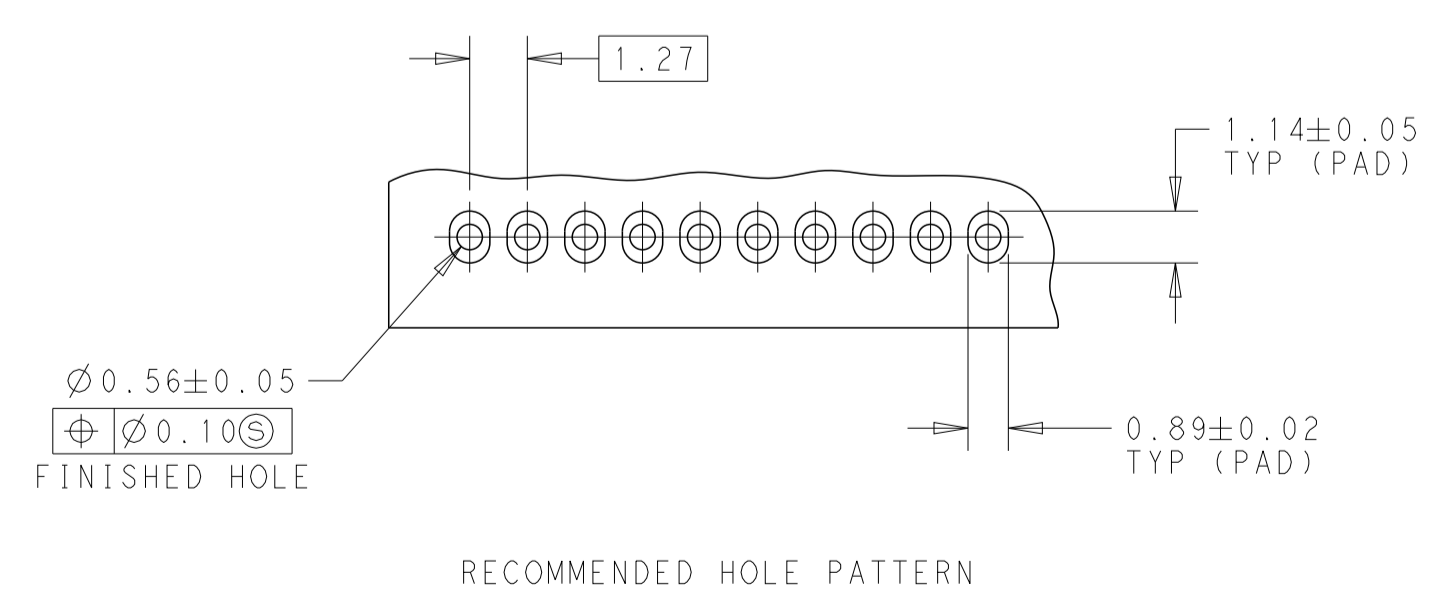


REVISIONS				
P	LTN	DESCRIPTION	DATE	APVD
J		REDRAWN /REVISED PER ECO-17-001745	22NOV2017	KS JO



SCALE 8:1

- 1 FLAME RATARDANT THERMOPLASTIC, COLOR-BLACK
- 2 CONTACT: COPPER ALLOY
- 3 0.76µm GOLD ON CONTACT AREA, SOLDER LEADS PARTS WITH 3.81µm MIN TIN-LEAD, ALL OVER 1.27µm NICKEL
- 4. NOTE DELETED.
- 5 DIMENSION APPLIES AT BASE OF SHROUD
- 6 THE NOTED DIMENSIONS APPLY AT THE INTERSECTION OF THE POST AND HOUSING
- 7. NOTE DELETED.
- 8 0.76µm GOLD ON CONTACT AREA, SOLDER LEADS PARTS WITH 3.81µm MIN TIN, ALL OVER 1.27µm NICKEL
- 9 FINISH: 0.03µm MIN GOLD ON GOLD PLATED AREA, 3.81µm MATTE TIN-LEAD ON TIN PLATED AREA. UNDER PLATING TO BE 1.27µm NICKEL ON ENTIRE CONTACT
- 10 FINISH: 0.03µm MIN GOLD ON GOLD PLATED AREA, 3.81µm MATTE TIN ON TIN PLATED AREA. UNDER PLATING TO BE 1.27µm NICKEL ON ENTIRE CONTACT
- 11. NOTE DELETED.
- 12. NOTE DELETED.
- 13. NOTE DELETED.



10	18.54	11	12	7-104804-3
	22.35	14	15	7-104804-2
	35.05	24	25	7-104804-1
8	18.54	11	12	5-104804-3
	22.35	14	15	5-104804-2
	35.05	24	25	5-104804-1
FINISH	DIM_B	A SPACES	NO OF POSN	PART NUMBER

9	18.54	11	12	2-104804-3
	22.35	14	15	2-104804-2
	35.05	24	25	2-104804-1
3	18.54	11	12	104804-3
	22.35	14	15	104804-2
	35.05	24	25	104804-1
FINISH	DIM_B	A SPACES	NO OF POSN	PART NUMBER

THIS DRAWING IS A CONTROLLED DOCUMENT.

DIMENSIONS: mm

TOLERANCES UNLESS OTHERWISE SPECIFIED:

0 PLC	±
1 PLC	±0.3
2 PLC	±0.13
3 PLC	±
4 PLC	±
ANGLES	±0.5°

MATERIAL: SEE TABLE

THIS DRAWING IS A CONTROLLED DOCUMENT.

OWN: R. SHRISHAILI 22NOV2017

CHK: J. OLSON 22NOV2017

APVD: J. OLSON 22NOV2017

PRODUCT SPEC: 108-1093

APPLICATION SPEC: 114-25031

WEIGHT: -

CUSTOMER DRAWING

NAME: HEADER ASSEMBLY, SINGLE ROW WITH LATCHES, AMPMODU SYSTEM 50

SIZE: 114-25031

CAGE CODE: 104804

DRAWING NO: A100779

SCALE: 6:1

SHEET: 1 OF 1

REV: J

单击下面可查看定价，库存，交付和生命周期等信息

[>>TE Connectivity\(泰科\)](#)