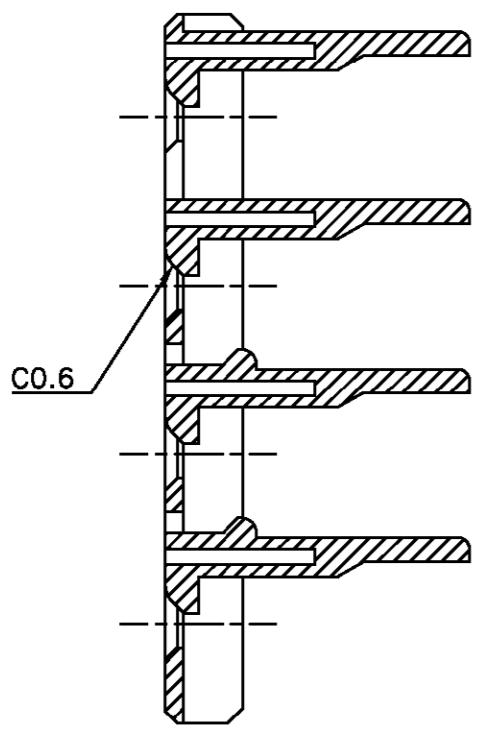
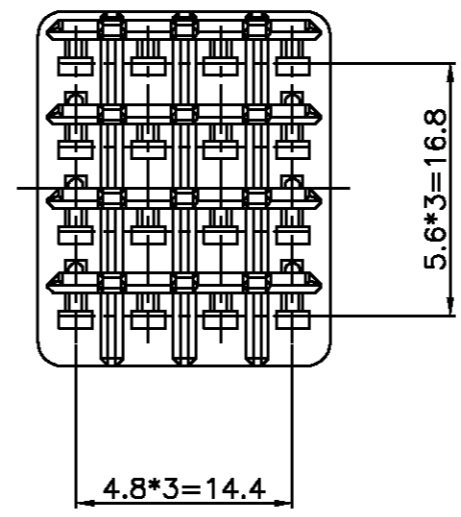
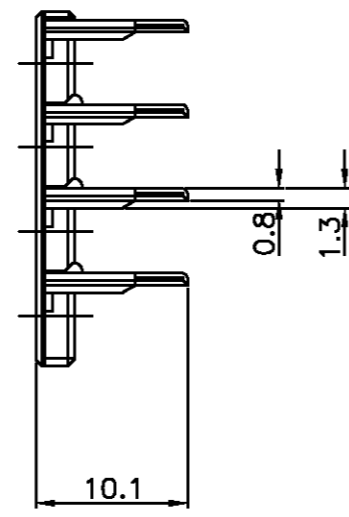
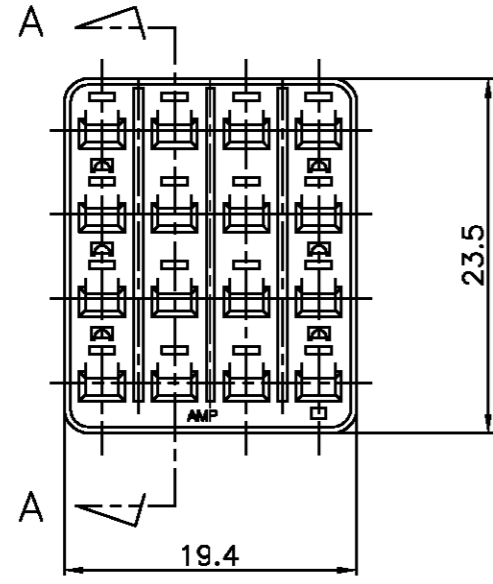
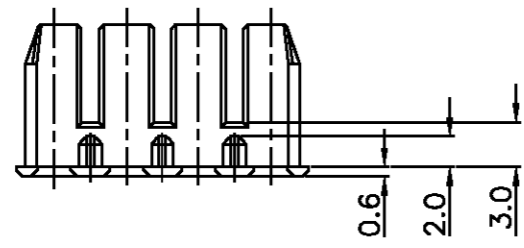


P	LTR	DESCRIPTION	DATE	DWN	APVD
A1		REVISED PER ECO-11-005294	12APR11	RK	HMR



SECT A-A

NOTE;
1. TO BE MATED WITH PLUG HSG(P/N 368048) SMOOTHLY

DIMENSIONS: mm		TOLERANCES UNLESS OTHERWISE SPECIFIED:		(A) YELLOW COLOR		PBT MATERIAL		16POS. DBL PLATE FOR PLUG HSG ECONOSEAL J-MARKIT [®] CONNECTOR NAME		368049-1 PART NUMBER	
3rd ANGLE PROJECTION		0 <XX<10 ± 0.2 10<XX<30 ± 0.25 30<XX ± 0.3 ANGLES ± 3°		DWN: YD. LEE		TE Connectivity		APVD: CS LEE		NAME 16POS. DBL PLATE FOR PLUG HSG ECONOSEAL J-MARKIT [®] CONNECTOR	
				CHK: BM JANG				PRODUCT SPEC			
MATERIAL SEE TABLE		COLOR SEE TABLE		APPLICATION SPEC		SIZE: A3 CAGE CODE: 00779 DRAWING NO: C= 368049		RESTRICTED TO		CUSTOMER DRAWING SCALE: 2/1 SHEET: 1 OF 1 REV: A1	

单击下面可查看定价，库存，交付和生命周期等信息

[>>TE Connectivity\(泰科\)](#)