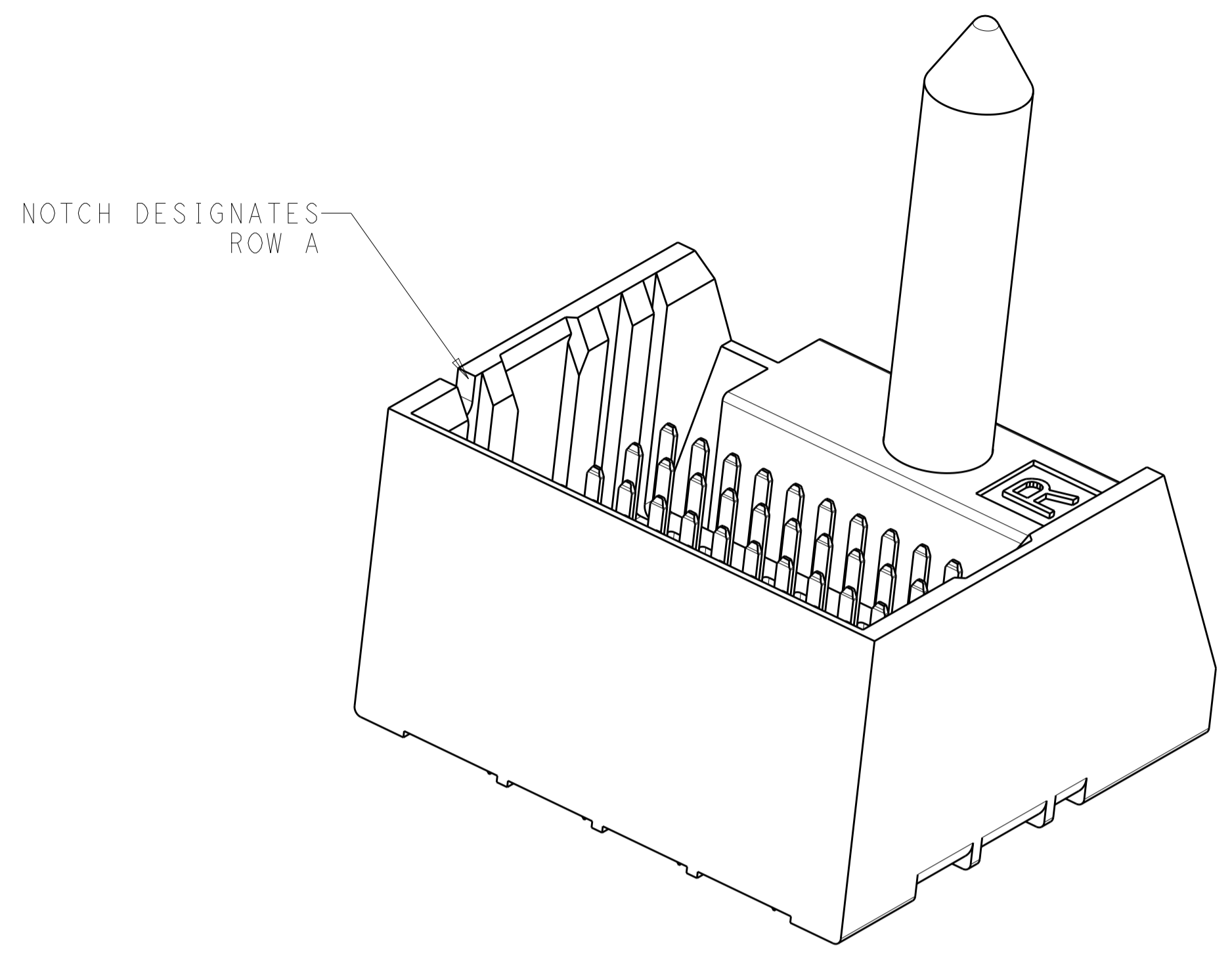
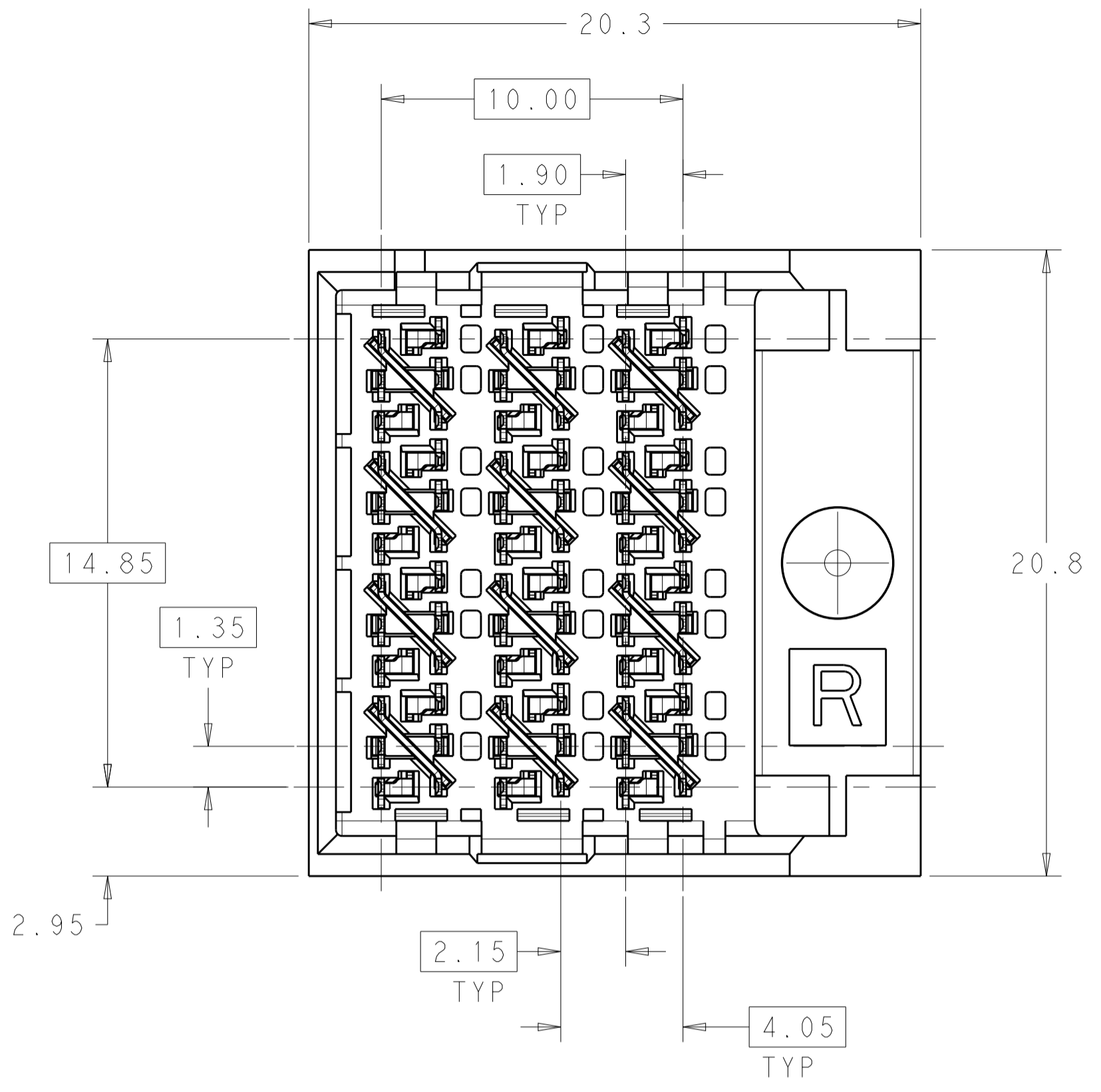
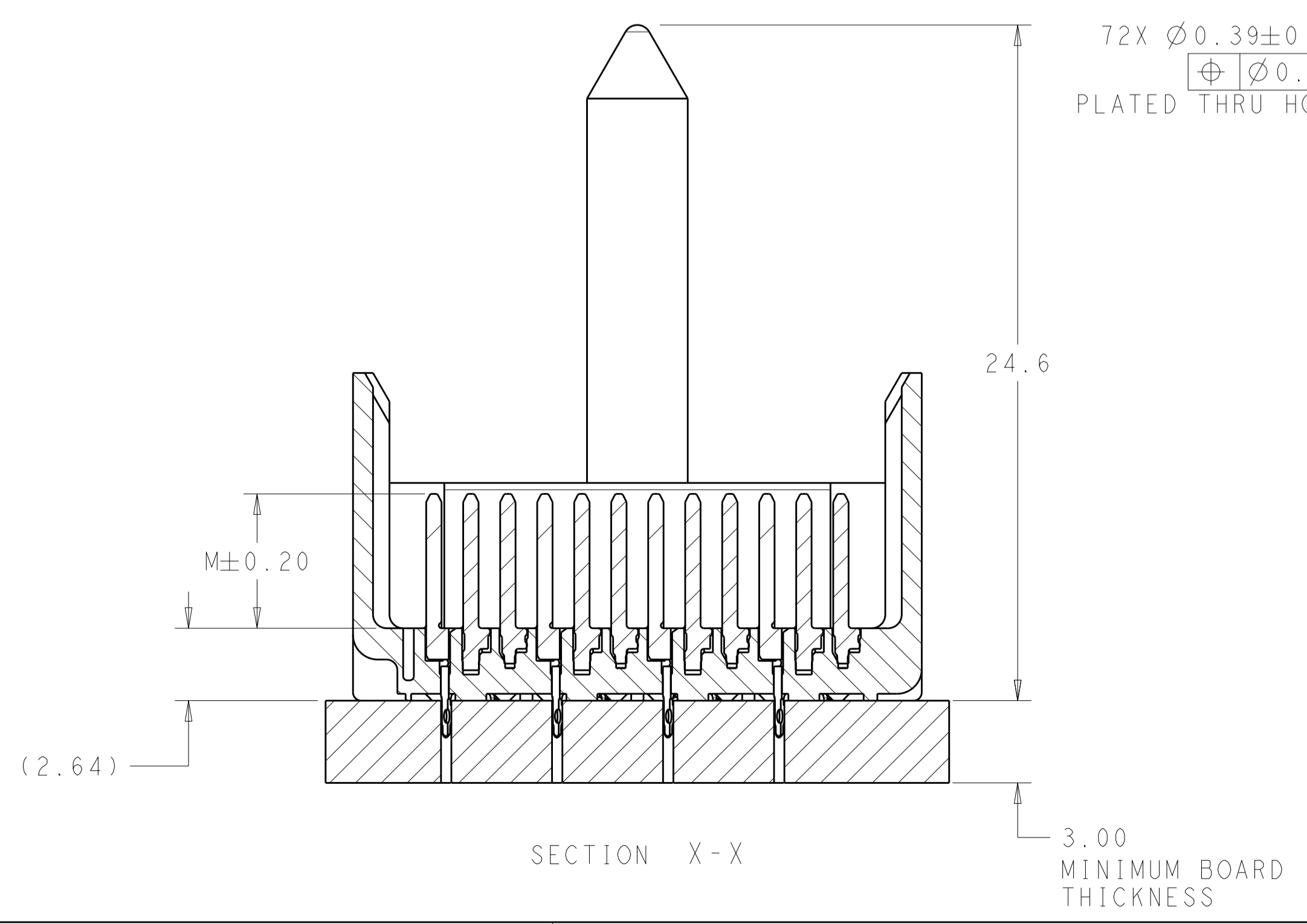
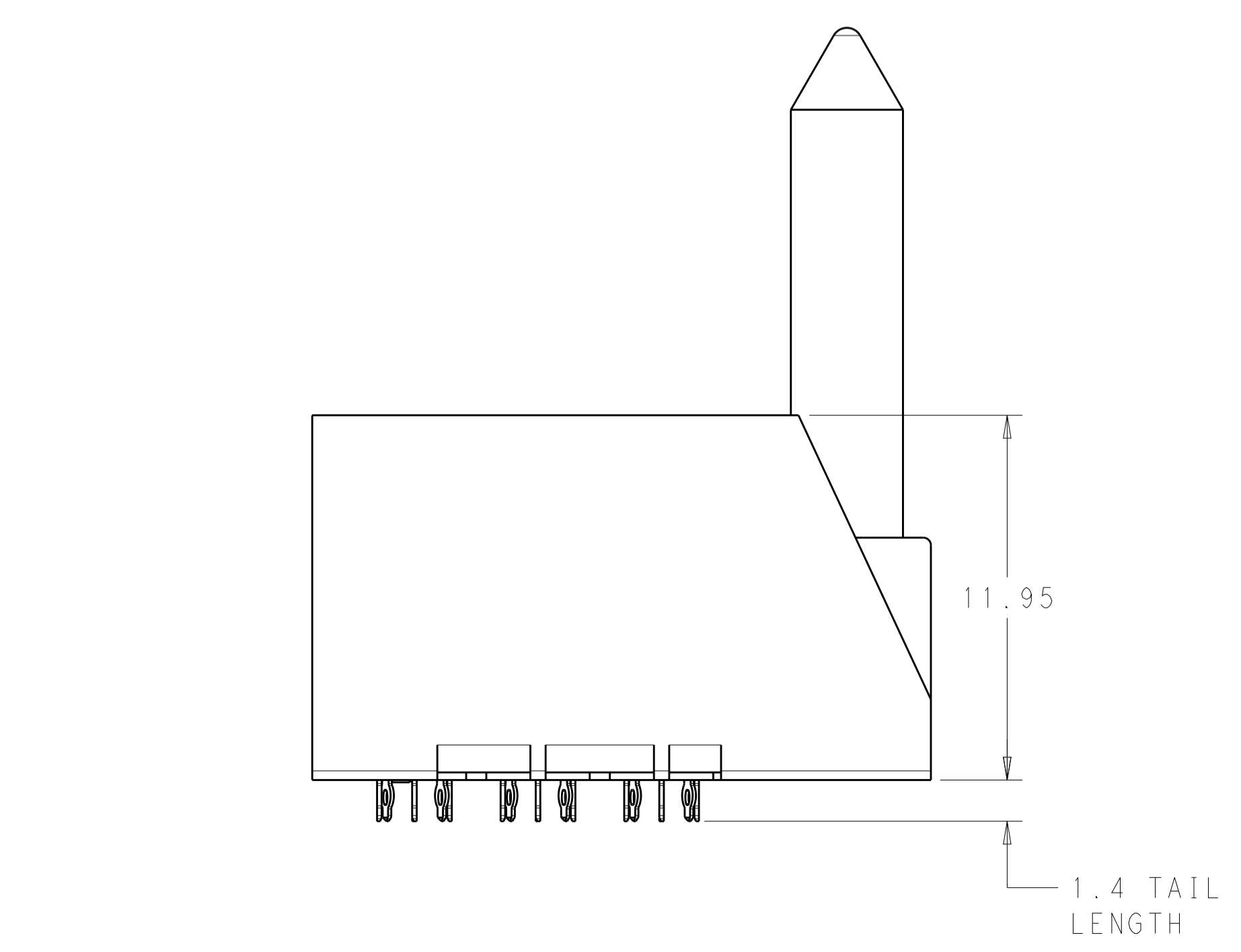
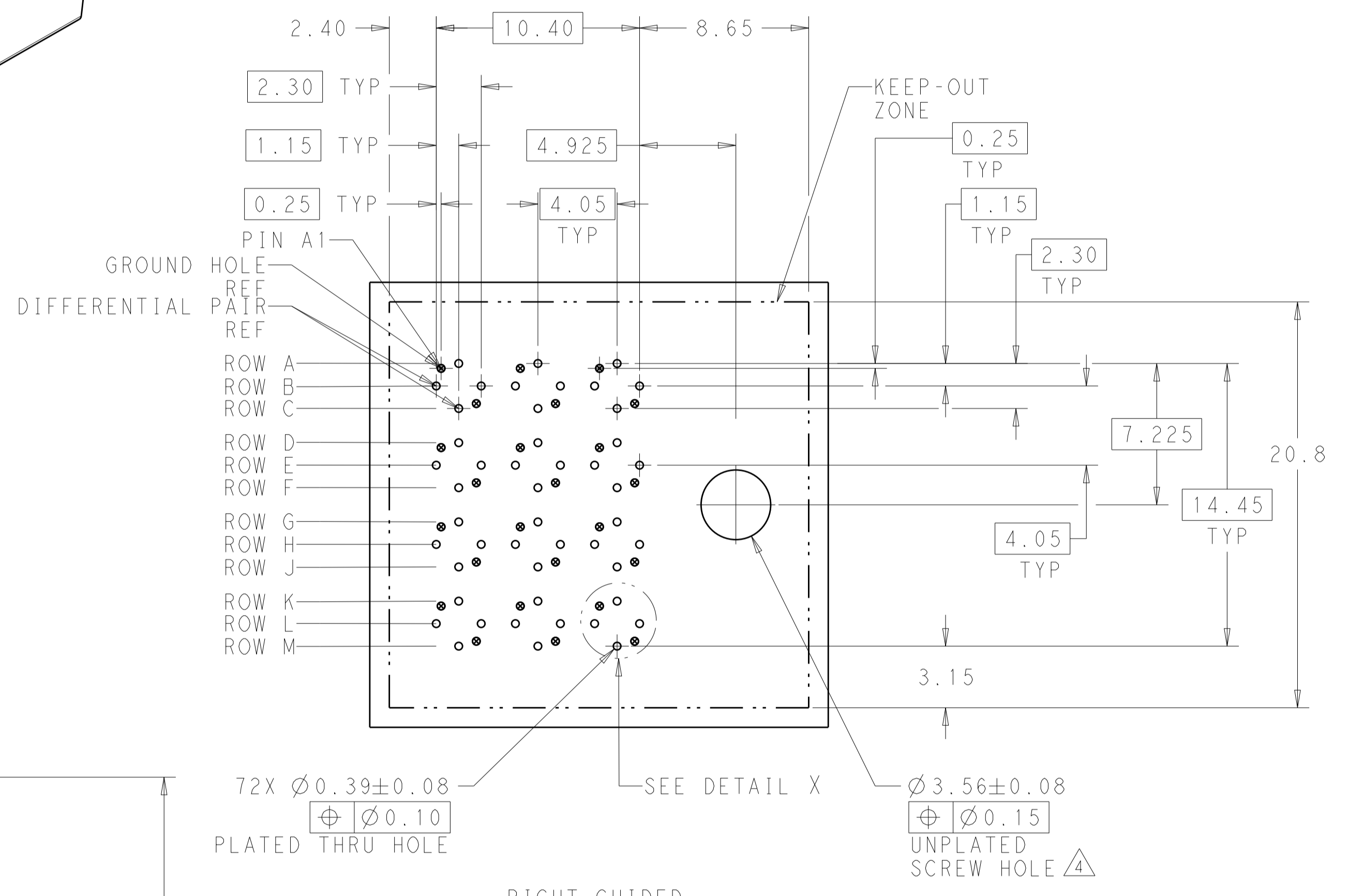
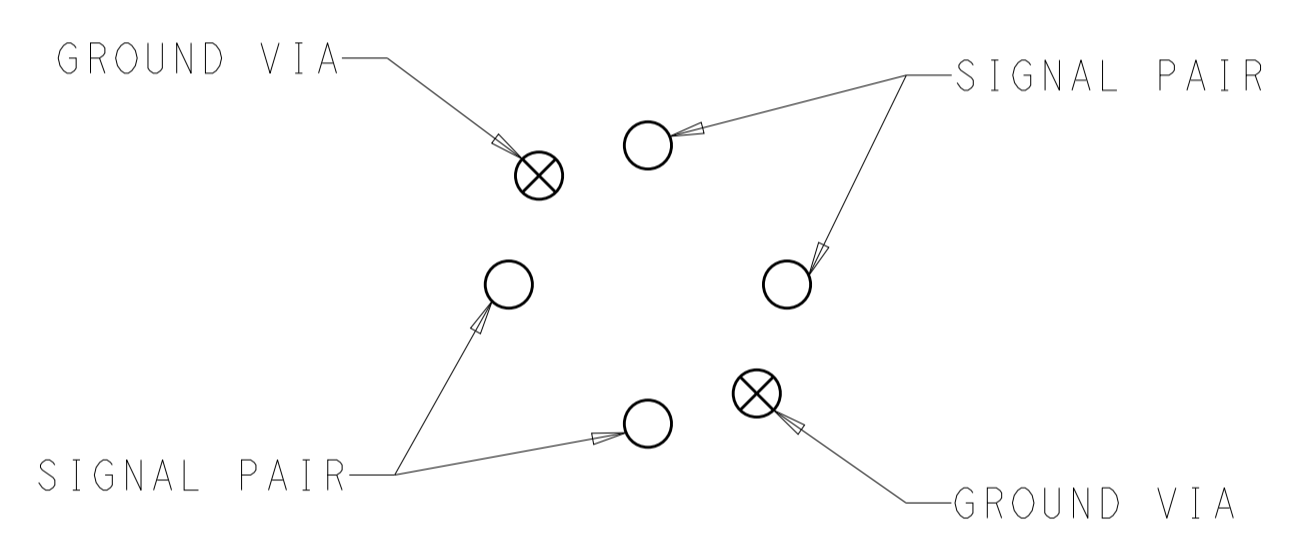


REVISIONS				
P.	LTN.	DESCRIPTION	DATE	APPROV.
C1		REVISED PER ECO-15-001489	31JAN2015	AP DD



- 1 MATERIAL:
HOUSING: LCP, GLASS FILLED, UL94V-0.
TERMINALS: HIGH PERFORMANCE COPPER ALLOY.
- 2 FINISH:
30µ" MIN GOLD IN CONTACT AREA. SELECTIVE TIN ON PCB TAILS, NICKEL OVERALL.
- 3. SCREWS PACKAGED IN END OF PACKAGING TUBE.
- 4 FOR GROUNDED GUIDE PIN USE Ø3.56±0.08 PTH, Ø3.66 DRILL, AND Ø6.5 PAD.



RIGHT GUIDED BACKPLANE HOLE PATTERN (CONNECTOR SIDE)

REFER TO WWW.TE.COM FOR PRODUCT AVAILABILITY

FINISH	5.5	2132596-2
DIM M	4.9	2132596-1
PART NUMBER		

THIS DRAWING IS A CONTROLLED DOCUMENT.		OWN: R. IRAN HOLA 18OCT2012	CHK: D. DIXON 18OCT2012	APVD: D. DIXON 18OCT2012	NAME: IMPACT, ORTHOGONAL, 4 PAIR, 6 COLUMN HEADER, RIGHT GUIDED, LEFT END WALL SIGNAL MODULE, 0.39 PTH
DIMENSIONS:	TOLERANCES UNLESS OTHERWISE SPECIFIED:	PRODUCT SPEC	APPLICATION SPEC	SIZE	RESTRICTED TO
mm	0 PLC ±0.25 1 PLC ±0.13 2 PLC ±0.13 3 PLC ±0.13 4 PLC ±0.13			A100779	
MATERIAL:	SEE TABLE	WEIGHT	CAGE CODE	SCALE	SHEET
				6:1	1 OF 1
CUSTOMER DRAWING		SCALE		SHEET 1 OF 1 REV C1	

单击下面可查看定价，库存，交付和生命周期等信息

[>>TE Connectivity\(泰科\)](#)