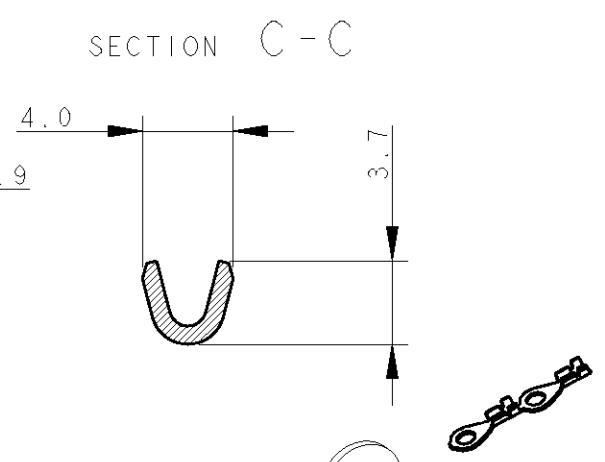
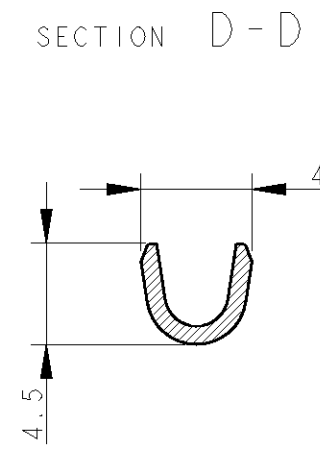
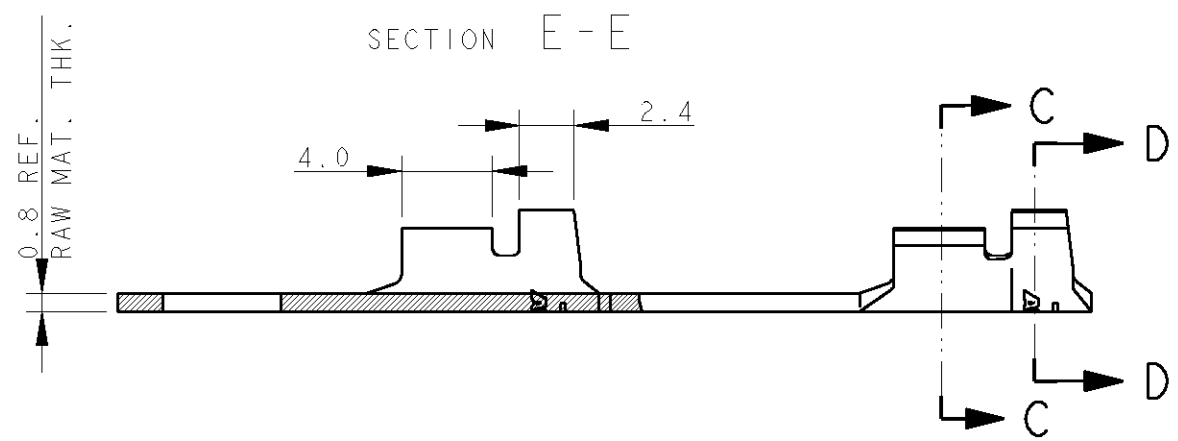
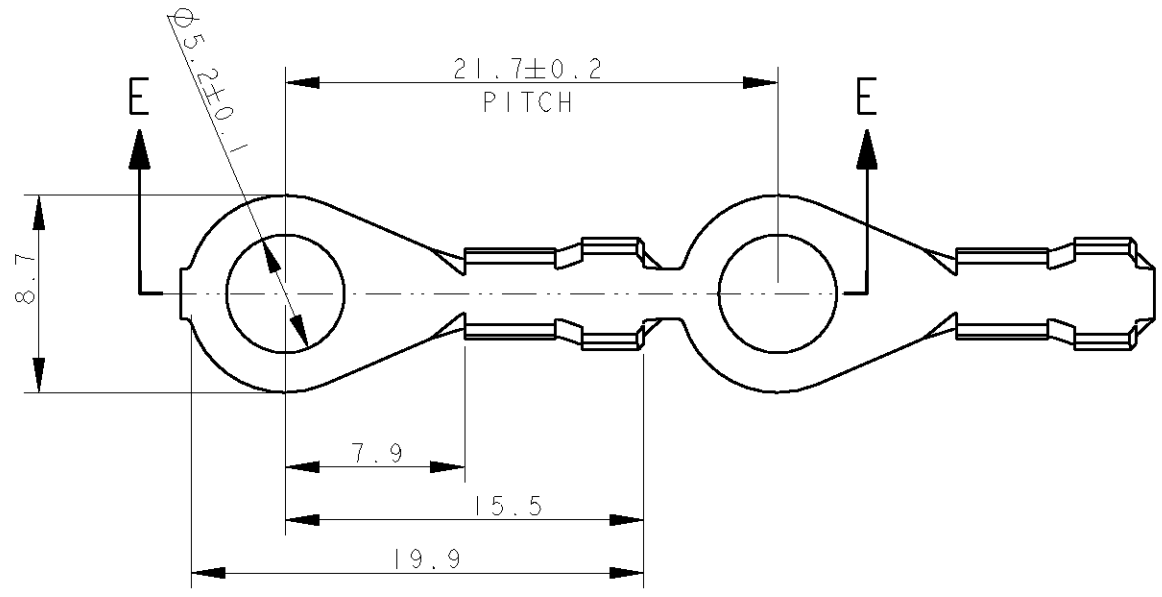
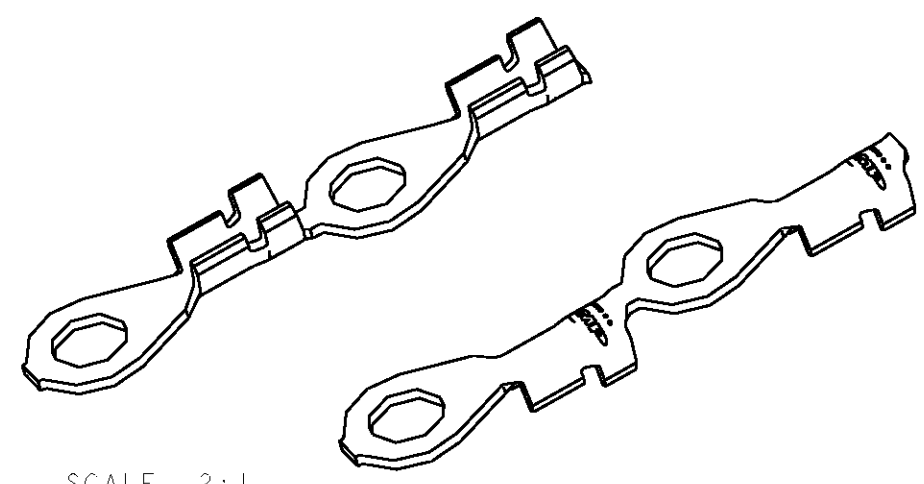


THIS DRAWING IS UNPUBLISHED. RELEASED FOR PUBLICATION 2003
 © COPYRIGHT 2003 BY TYCO ELECTRONICS CORPORATION. ALL RIGHTS RESERVED.

| LOC | DIST | REVISIONS | | | | | |
|-----|------|-----------|-----|-------------|-----------|-----|------|
| | | P | LTR | DESCRIPTION | DATE | DWN | APVD |
| 1 | - | | H | REDRAWN | 12DEC2007 | HY | GT |
| | | | HI | UPDATED | 20DEC2007 | HY | GT |



- 1) DIRECTION OFF TOP OF REEL
- 2) REELED ON 12" DIA CARTON REEL Q.TY 5000 PC.s
Q.TY / BOX 15000 PC.s
- 3) WIRE RANGE 20-16 AWG
INSULATION RANGE 2.5-3.5 MM DIA.



SCALE 2:1

| | | | | |
|------|--------|----------|------------|-----|
| | PLAIN | BRASS | 0-140525-0 | H |
| NOTE | FINISH | MATERIAL | TE P/N | REV |

| | | | |
|---|---|---|--|
| <small>THIS DRAWING IS A CONTROLLED DOCUMENT FOR TYCO ELECTRONICS CORPORATION IT IS SUBJECT TO CHANGE AND THE CONTROLLING ENGINEERING ORGANIZATION SHOULD BE CONTACTED FOR THE LATEST REVISION.</small> | | DWN H. YAALI 12DEC2007 CHK H. YAALI APVD G. TURCO PRODUCT SPEC - APPLICATION SPEC - WEIGHT - | tyco Electronics AMP Italia S.p.A. C.so F.lli Cervi, 15 COLLEGNO (TO) |
| DIMENSIONS: mm | TOLERANCES UNLESS OTHERWISE SPECIFIED: 0 PLC ±- 1 PLC ±0.4 2 PLC ±- 3 PLC ±- 4 PLC ±- ANGLES ±1 | RING TONGUE | |
| MATERIAL SEE TABLE | FINISH SEE TABLE | SIZE A3 CAGE CODE 00779 DRAWING NO C-140525 | RESTRICTED TO - SCALE 3:1 SHEET 1 OF 1 REV HI |
| CUSTOMER DRAWING | | | |

单击下面可查看定价，库存，交付和生命周期等信息

[>>TE Connectivity\(泰科\)](#)