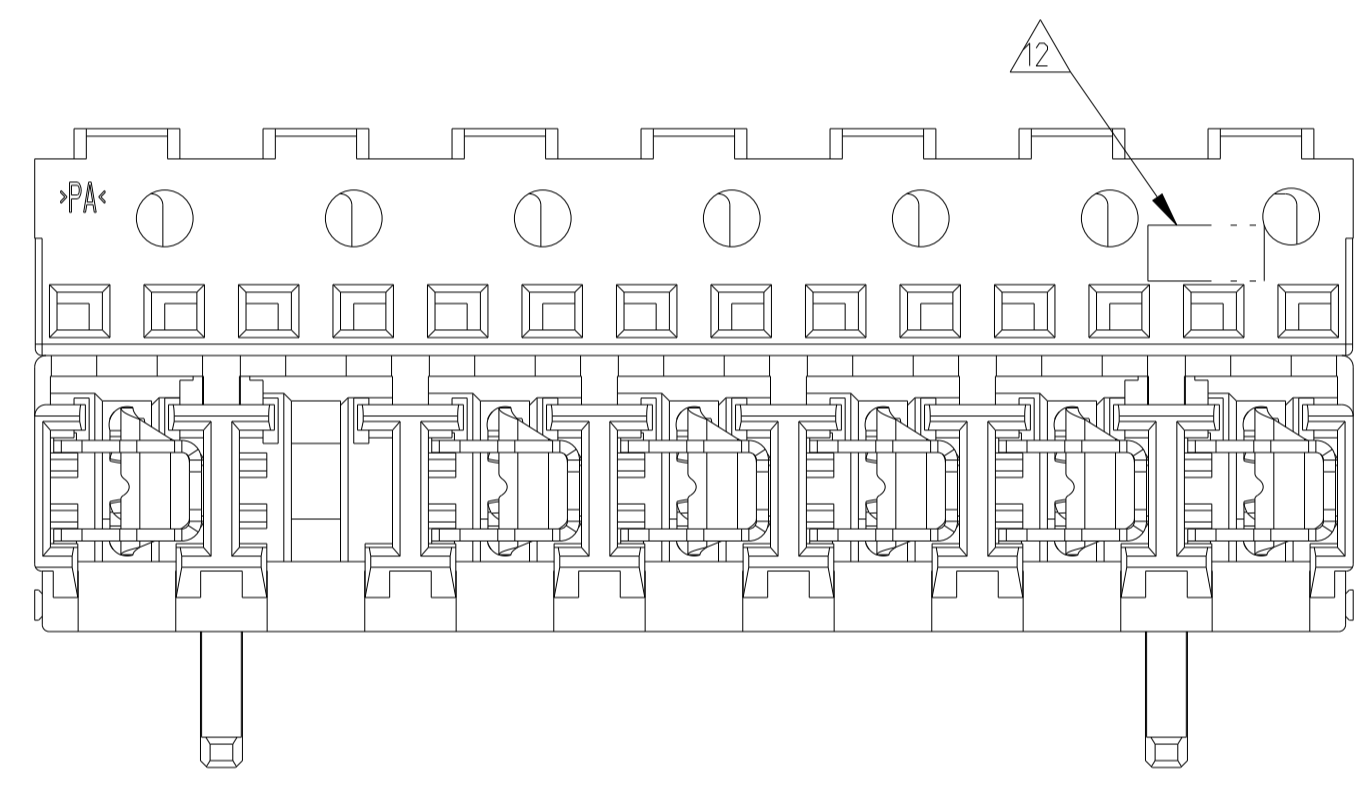
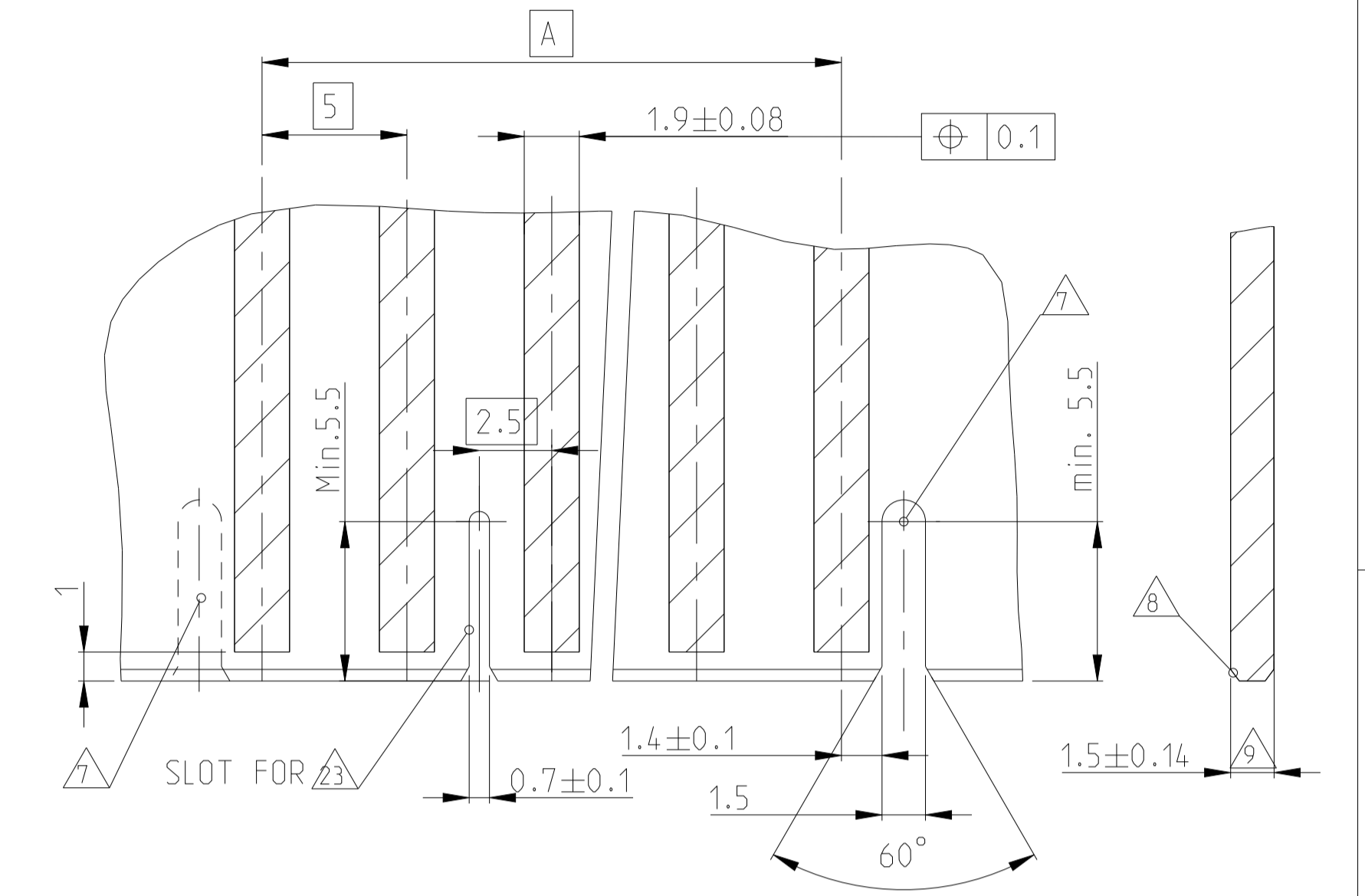
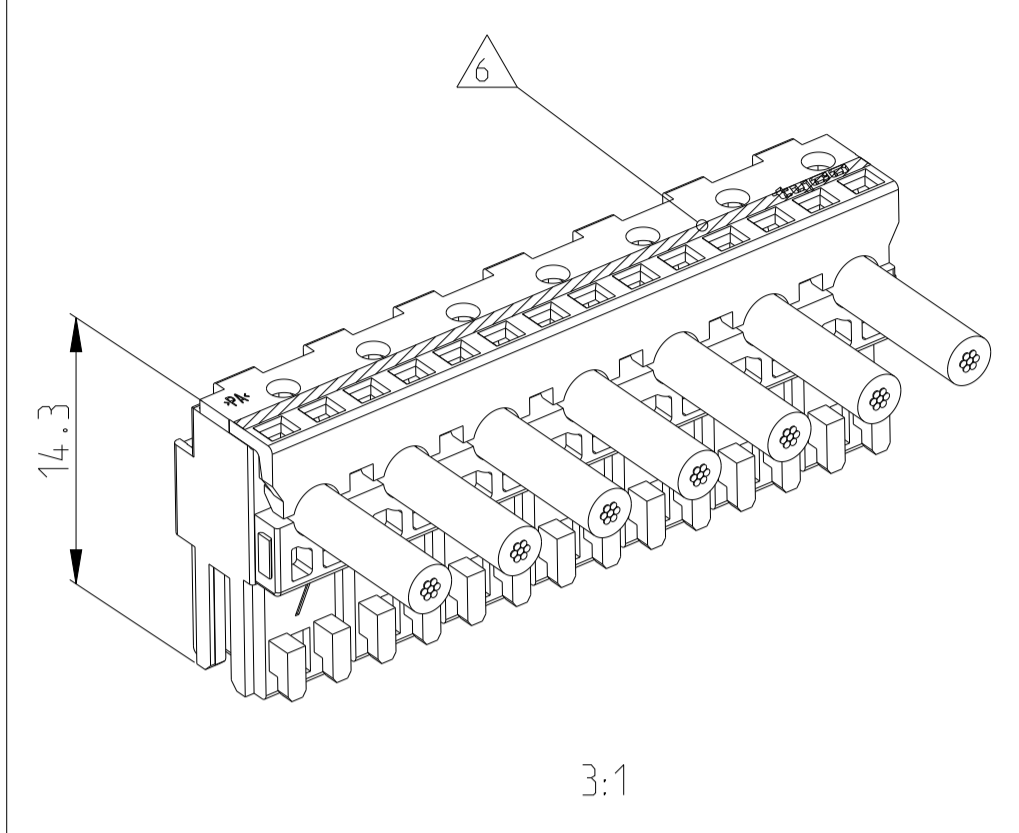
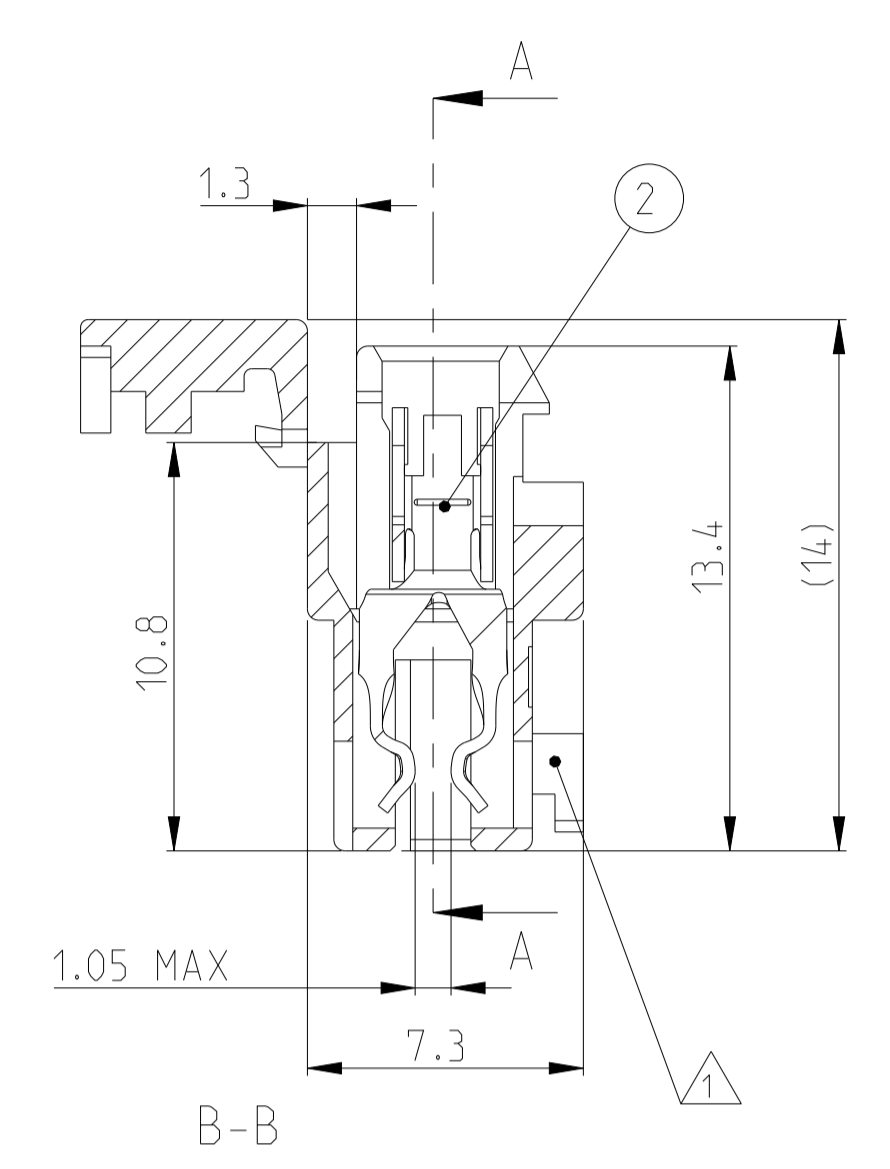
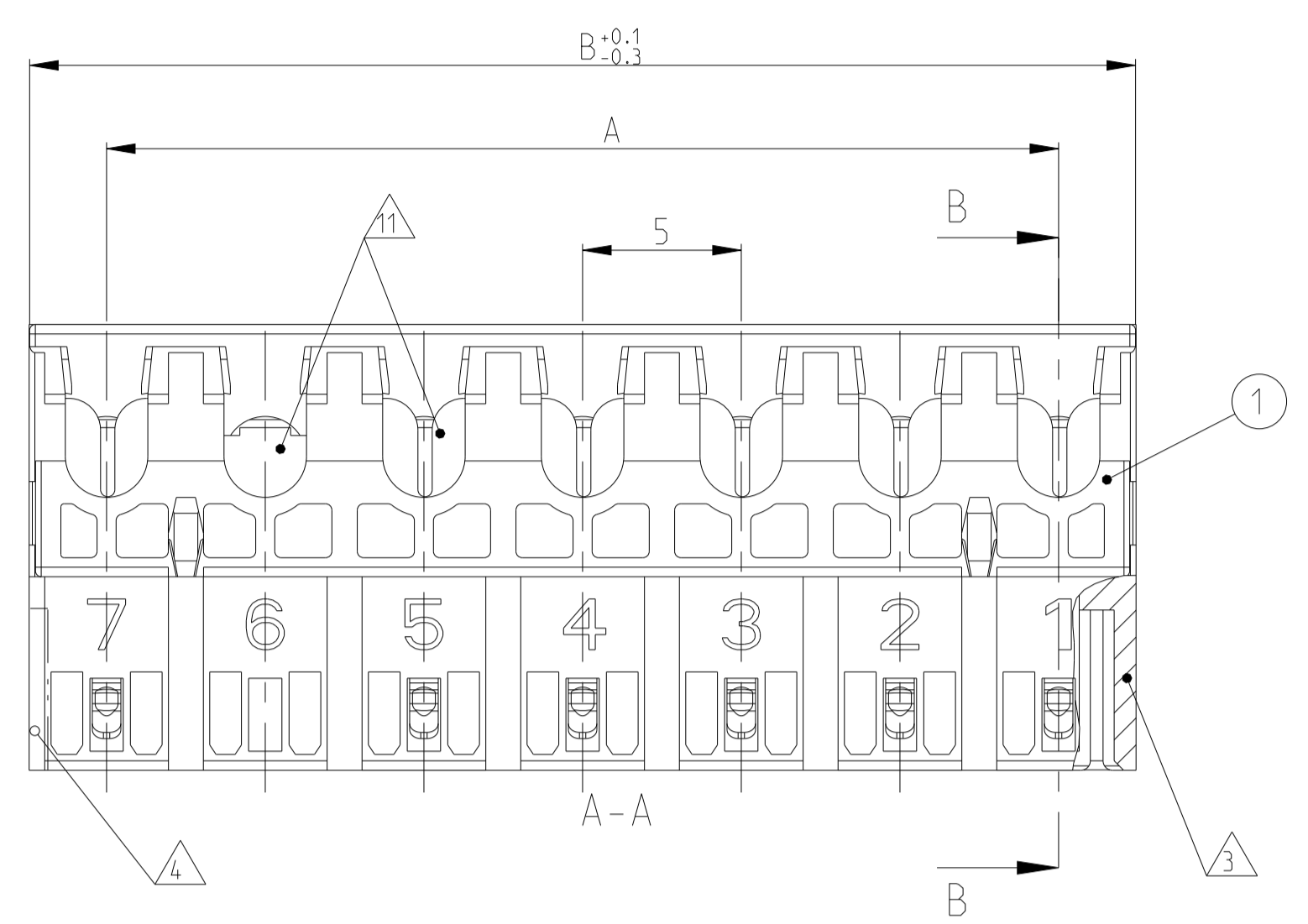
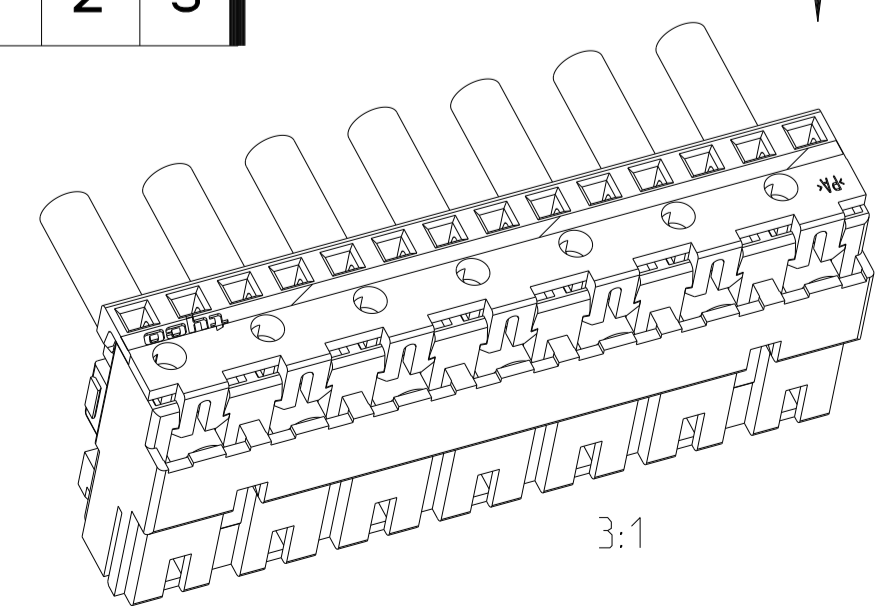
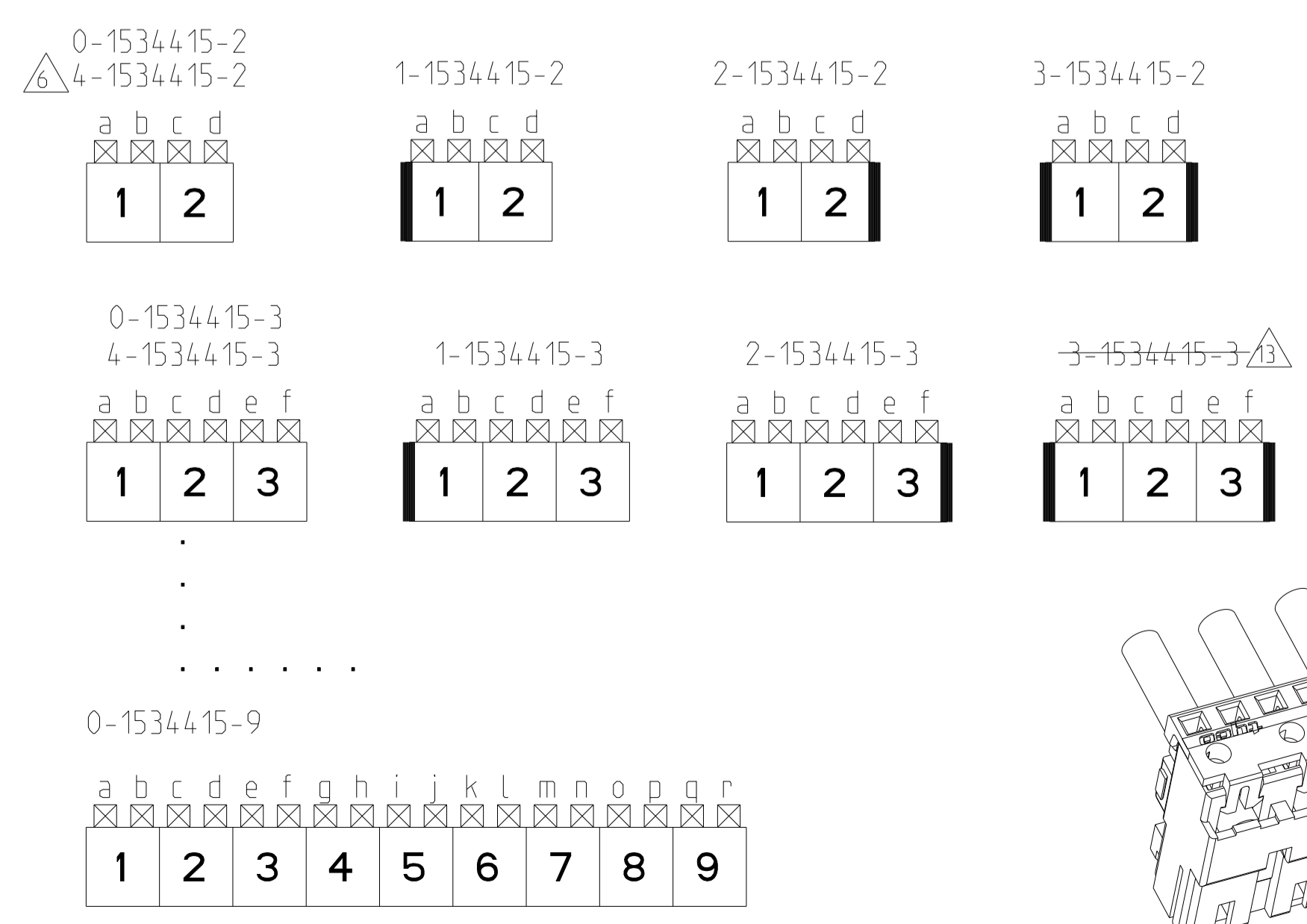


LOC		DIST		REVISIONS			
A1		-		REV	DATE	BY	APPV
D21	ECR-20-100619			05NOV2020	W W	FL	
D22	ECR-21-108728			16AUG2021	SM	FL	
D23	ECR-21-114072			22SEP2021	SM	FL	
D24	ECR-21-115341			28SEP2021	SM	FL	

PCB LAYOUT KEYED / CONNECTED ONLY WITH ADDITIONAL FRAME
 Leiterplattenanschluss kodiert / nur in Verbindung mit zusätzlichem Rahmen



KEYING PLAN (VIEW Z)
 Kodierschema (Ansicht Z)



- 16 KEYING BETWEEN POSITIONS
- 15 UL94 VO AND GLOW WIRE TEST 750 °C WITHOUT FLAME
- 14 PRELIMINARY PART NOT RELEASED FOR PRODUCTION
- 13 OBSOLETE
- 12 TE LOGO


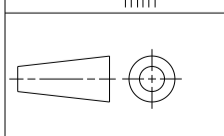
- 11 X...CAVITY LOADED WITH CONTACT
 O...CAVITY WITHOUT CONTACT
 X...Kammer mit Kontakt
 O...Kammer ohne Kontakt
- 10 GLOW WIRE TEST 750 °C WITHOUT FLAME
 Gluehdrahttest 750°C ohne Flamme
- 9 INCLUSIVE COPPER CLADDING:
 Inclusive Kupferkaschierung:
- 8 PCB PREFERABLY CHAMFERED.
 Leiterplatte vorzugsweise angefast.
- 7 SLOT FOR SIDE KEYING. 4 4
 Schlitz fuer Seitenkodierung. 4 4 .
- 6 COLOUR MARKING ON TOP OF HOUSING OPTIONAL ON TERMINATION MACHINE
 Farbmarkierung auf Gehäuseoberseite optional an Verarbeitungsmaschine
- MATING PART: PCB (WITH FRAMES ACC. RAST 2.5 E.G. PN 964 575/576)
 TABHEADER PN 1 534 787/788
 5 Passender Gegenstecker: Leiterplatten (mit Rahmen nach RAST 2.5 z.B. Tabwannen Nr. 1 534 787/788
- 4 SIDE KEYING, ON LAST CAVITY
 Seitenkodierung, an letzter Kammer
- 3 SIDE KEYING, ON CAVITY 1
 Seitenkodierung, an Kammer 1
- 2 WIRE RANGE: 0.35-0.75 mm²
 Drahtgrößenbereich: 0.35-0.75 mm²
- 1 KEYING RIBS; CUTTING WITH TERMINATION MACHINE POSSIBLE
 Kodierrippe; Schneiden auf der Verarbeitungsmaschine möglich

THIS DRAWING IS A CONTROLLED DOCUMENT.		OWN: H. Karabiyik 13OCT2016	TE Connectivity
DIMENSIONS: mm		CHK: B. Schnaubelt 24JAN2002	
TOLERANCES UNLESS OTHERWISE SPECIFIED:		APVD: T. Klenner 24JAN2002	NAME: AMP DUOPLUG POWER FEMALE CONNECTOR (Standard Version)
0 PLC ±0.2		PRODUCT SPEC: 108-18780	SIZE: A1
1 PLC ±0.2		APPLICATION SPEC: 114-18458	CAGE CODE: 00779
2 PLC ±0.2		FINISH: #1*	DRAWING NO: C=1534415
3 PLC ±0.2		WEIGHT: -	SHEET 1 OF 2
4 PLC ±0.2		CUSTOMER DRAWING	REVISION: 024
ANGLES: -		SCALE: 5:1	

LOC		DIST		REVISIONS			
P	LTN	DESCRIPTION		DATE	OWN	APVD	
-		SEE SHEET 1		-	-	-	

GWEPT 750°C NO FLAME + UL94-V0 \triangle_{15}																		
X	X	X	X	X	X	X	X	X	X	X	NATURE	10	40	49.9	3/4	-	-	2-2328644-0 \triangle_{14}
X	X	X	X	X	X	X	X	X	X	X	NATURE	10	40	49.9	-	-	-	1-2328644-0 \triangle_{14}
		X	X	X	X	X	X	X	X	X	NATURE	9	40	44.9	-	-	-	-
				0	0	X	X	X	X	X	NATURE	7	30	34.9	-	-	-	1-2328644-7 \triangle_{14}
						X	X	X	X	X	NATURE	7	30	34.9	-	-	-	2328644-7 \triangle_{14}
							X	X	X	X	NATURE	5	20	24.9	-	-	-	2328644-5 \triangle_{14}
								X	X	X	NATURE	3	10	14.9	-	-	X	2328644-3 \triangle_{14}
								X	X	X	NATURE	3	10	14.9	-	X	-	5-1534415-3
								X	X		NATURE	2	5	9.9	-	-	-	-
10	9	8	7	6	5	4	3	2	1									
CAVITY LOADED \triangle_{11}											COLOR \triangle_{6}	POS.	DIM A	DIM B	KEYING \triangle_{16}	KEYING \triangle_{4}	KEYING \triangle_{3}	TE P/N
2	SEE TABLE siehe Tabelle		CONTACT		CuNiSi		TINNED											
1			Federleistengehaeuse		PA 6 \triangle_{6}		NATUR/Natur											
POS.	TE P/N		DESCRIPTION		MATERIAL		COLOUR/FINISH											

GWEPT 750°C NO FLAME + UL94-V2																		
X	X	X	X	X	X	X	X	X	X	X	NATURE	10	45	49.9	3/4	-	-	2-1534415-0
X	X	X	X	X	X	X	X	X	X	X	NATURE	10	45	49.9	-	-	-	1-1534415-0
		X	X	X	X	X	X	X	X	X	NATURE	9	40	44.9	-	-	-	0-1534415-9
			X	X	X	X	X	X	X	X	NATURE	8	35	39.9	-	-	-	0-1534415-8
				X	X	X	X	X	X	X	NATURE	7	30	34.9	-	-	-	0-1534415-7
					X	X	X	X	X	X	NATURE	6	25	29.9	-	-	-	0-1534415-6
						X	X	X	X	X	NATURE	5	20	24.9	-	-	-	0-1534415-5
							X	X	X	X	NATURE	4	15	19.9	-	X	-	3-1534415-4
								X	X	X	NATURE	4	15	19.9	3/4	X	X	2-1534415-4
									X	X	NATURE	4	15	19.9	2/3	X	X	1-1534415-4
										X	NATURE	4	15	19.9	-	-	-	0-1534415-4
										X	RED	3	10	14.9	-	X	-	8-1534415-3
										X	GREEN	3	10	14.9	-	-	X	7-1534415-3
										X	NATURE	3	10	14.9	1/2	-	X	6-1534415-3
										X	0	3	10	14.9	-	-	-	4-1534415-3
										X	X	3	10	14.9	-	X	X	3-1534415-3 \triangle_{13}
										X	NATURE	3	10	14.9	-	X	-	2-1534415-3
										X	NATURE	3	10	14.9	-	-	X	1-1534415-3
										X	NATURE	3	10	14.9	-	-	-	0-1534415-3
										X	BROWN	2	5	9.9	-	-	-	4-1534415-2 \triangle_{6}
										X	NATURE	2	5	9.9	-	X	X	3-1534415-2
										X	NATURE	2	5	9.9	-	X	-	2-1534415-2
										X	NATURE	2	5	9.9	-	-	X	1-1534415-2
										X	NATURE	2	5	9.9	-	-	-	0-1534415-2
10	9	8	7	6	5	4	3	2	1									
CAVITY LOADED \triangle_{11}											COLOR \triangle_{6}	POS.	DIM A	DIM B	KEYING \triangle_{16}	KEYING \triangle_{4}	KEYING \triangle_{3}	PN Bestell-Nr.
2	SEE TABLE siehe Tabelle		KONTAKT		CuNiSi		TINNED											
1			Federleistengehaeuse		PA 6 \triangle_{6}		NATUR/Natur											
POS.	PN Bestell-Nr.		DESCRIPTION Beschreibung		MATERIAL		COLOUR/FINISH Farbe/Oberflaeche											

THIS DRAWING IS A CONTROLLED DOCUMENT.		OWN H. Karabiyik CHK B. Schnaubelt	13OCT2016 24JAN2002 24JAN2002	 TE Connectivity NAME AMP DUOPLUG POWER FEMALE CONNECTOR (Standard Version)
DIMENSIONS: mm 		TOLERANCES UNLESS OTHERWISE SPECIFIED: 0 PLC ±0.2 1 PLC ±0.2 2 PLC ±0.2 3 PLC ±0.2 4 PLC ±0.2 ANGLES ±° FINISH ±µm		
MATERIAL -		WEIGHT -		SIZE A1 CAGE CODE 00779 DRAWING NO. C=1534415 RESTRICTED TO -
CUSTOMER DRAWING			SCALE 5:1	SHEET 2 OF 2 REV 024

单击下面可查看定价，库存，交付和生命周期等信息

[>>TE Connectivity\(泰科\)](#)