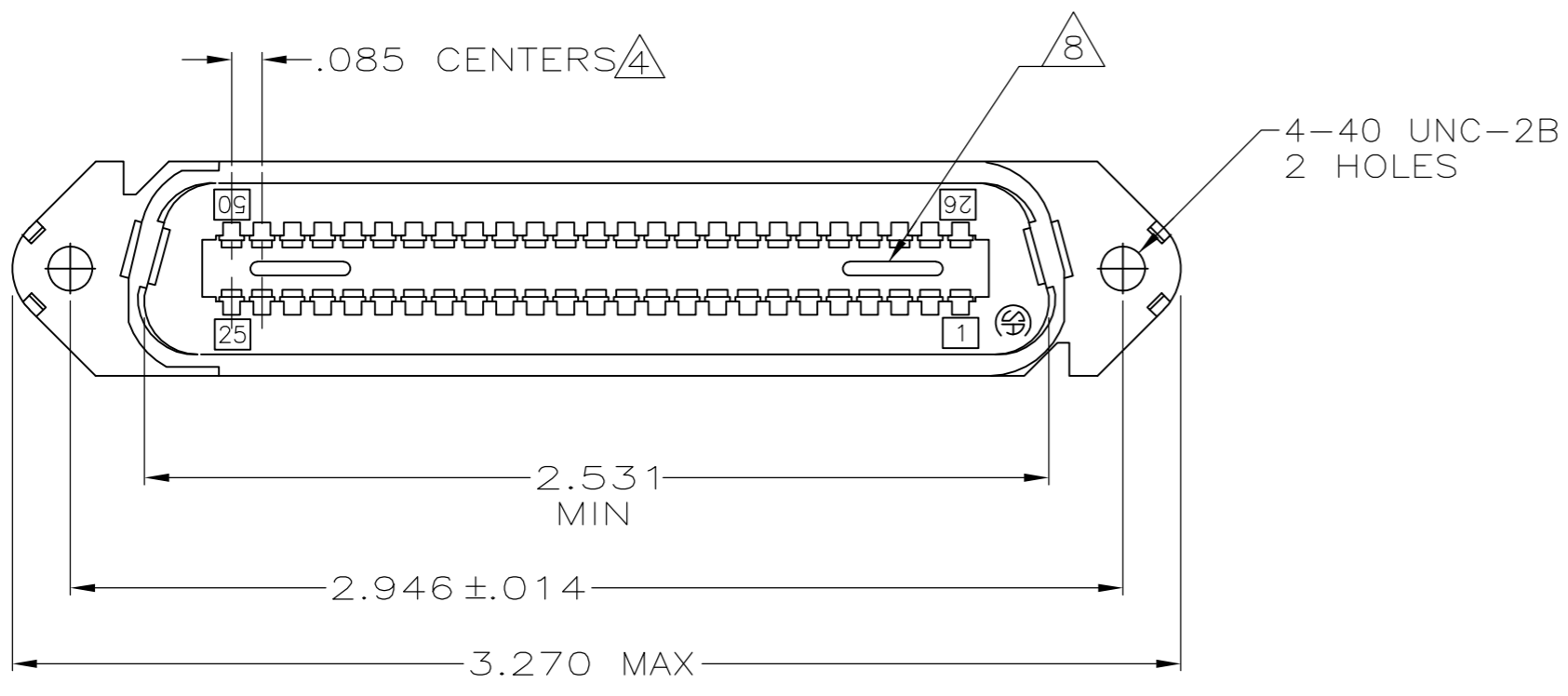
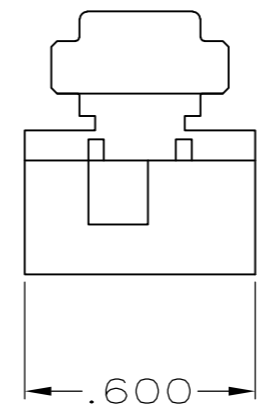
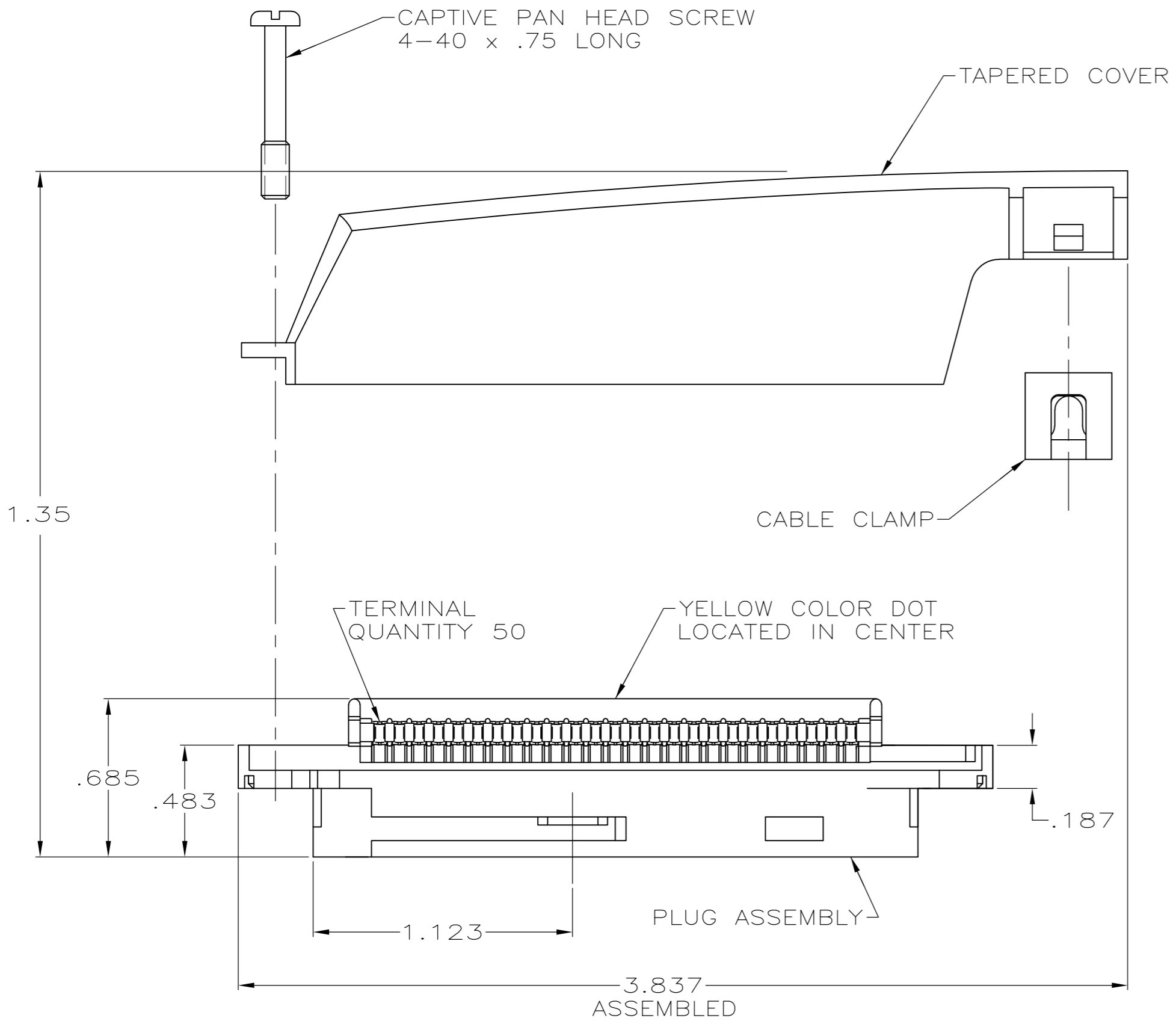


THIS DRAWING IS UNPUBLISHED. RELEASED FOR PUBLICATION
 © COPYRIGHT BY TYCO ELECTRONICS CORPORATION. ALL RIGHTS RESERVED.

LOC	DIST	REVISIONS			
P	LTR	DESCRIPTION	DATE	DWN	APVD
GP	00	B	REVISED PER ECO-08-007327	02OCT08	BM WM



- 1 MATERIAL:
 HOUSING, COVERS AND CABLE CLAMP - THERMOPLASTIC, BLACK.
 TERMINALS - HIGH STRENGTH COPPER ALLOY PLATED WITH .000030 MIN GOLD, OR, GOLD FLASH OVER PALLADIUM NICKEL PLATE, .000030 MIN TOTAL ON MATING SURFACE. .000050 MIN NICKEL UNDERPLATE OVER ENTIRE TERMINAL.
- 2. THE CONTACT SURFACES OF THE TERMINALS ARE COATED WITH LUBRICANT.
- 3 ALL DIMENSIONS ARE SHOWN FOR REFERENCE ONLY UNLESS OTHERWISE SPECIFIED.
- 4 CENTER-TO-CENTER SPACING OF TERMINALS IS .085.
- 5. WIRE SIZE: 26-27-28 AWG 7 STRANDS OF COPPER CONDUCTORS. MAXIMUM INSULATION OF ϕ .045 IS ACCEPTABLE FOR MOST APPLICATIONS.
- 6. COVER AND HARDWARE SHIPPED UNASSEMBLED.
- 7. KIT SHIPPED IN POLY BAG FORM.
- 8 CORING MAY OR MAY NOT APPEAR AND IS AT THE DISCRETION OF TYCO ENGINEERING.

BLACK (with triangle 1 symbol)	5552402-1
DESCRIPTION	PART NUMBER

THIS DRAWING IS A CONTROLLED DOCUMENT.		DWN G.PETERS 23SEP05	Tyco Electronics Corporation Harrisburg, PA 17105-3608	
DIMENSIONS: INCHES		CHK S.BOLASH 23SEP05	NAME M. WALMSLEY 23SEP05	
TOLERANCES UNLESS OTHERWISE SPECIFIED:		APVD M. WALMSLEY 23SEP05	PRODUCT SPEC	
0 PLC ± -		APPLICATION SPEC		
1 PLC ± -		WEIGHT -		
2 PLC ± -		SIZE A2		
3 PLC ± -		CAGE CODE 00779		
4 PLC ± -		DRAWING NO C=5552402		
ANGLES ± -		RESTRICTED TO -		
FINISH (with triangle 1 symbol)		SCALE 2:1 SHEET 1 of 1 REV B		
MATERIAL (with triangle 1 symbol)		CUSTOMER DRAWING		

5552402

单击下面可查看定价，库存，交付和生命周期等信息

[>>TE Connectivity\(泰科\)](#)