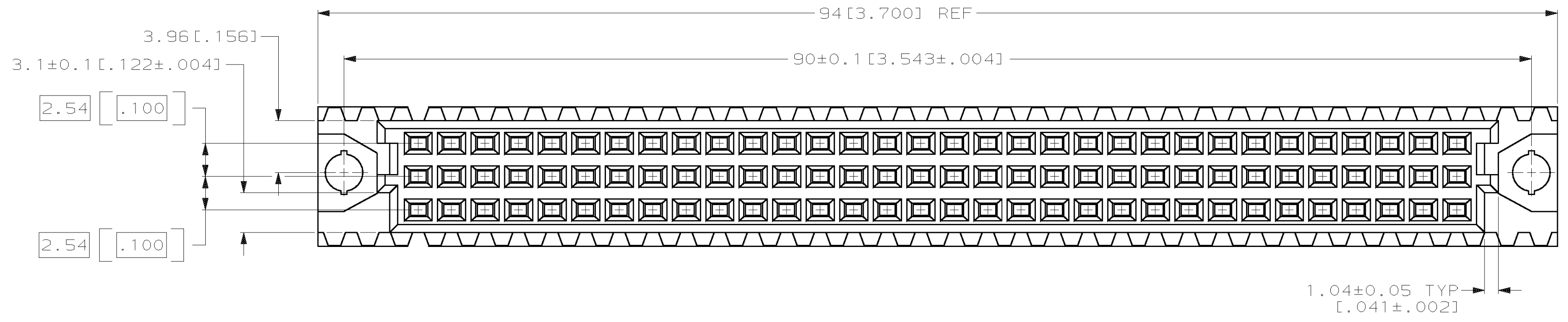
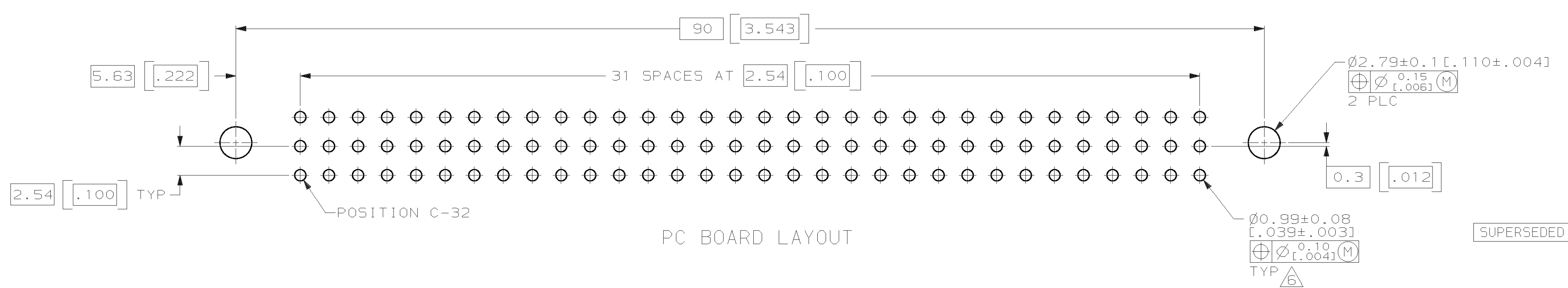
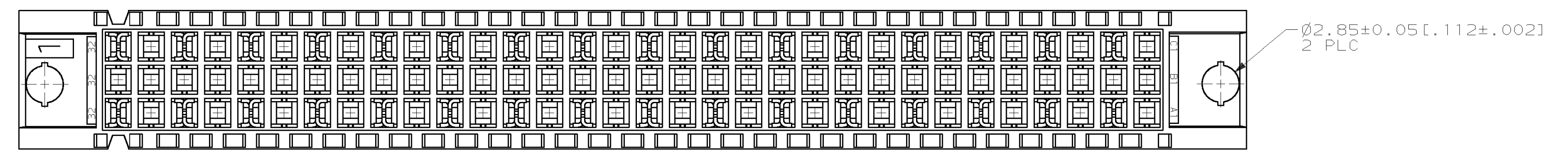
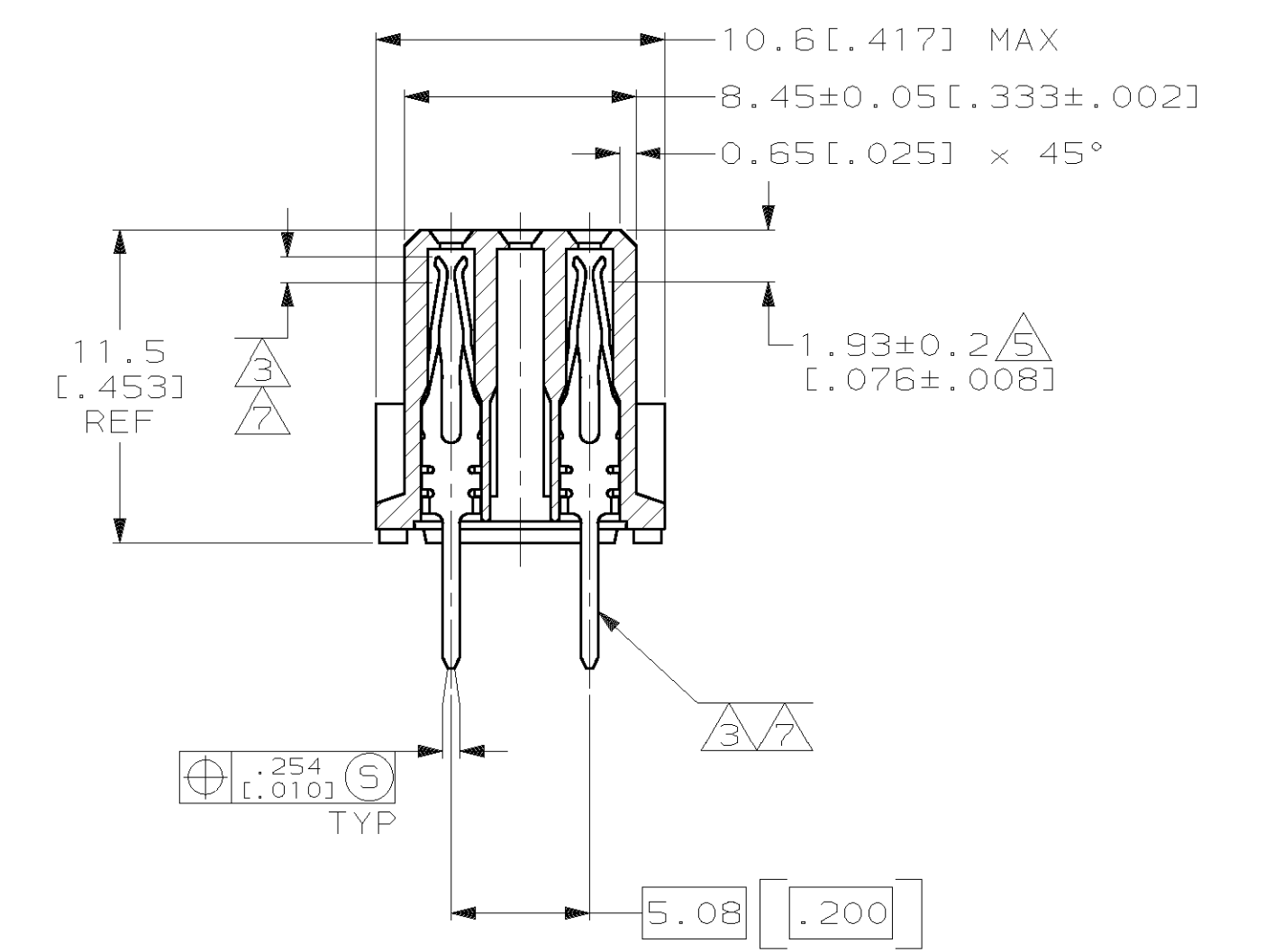
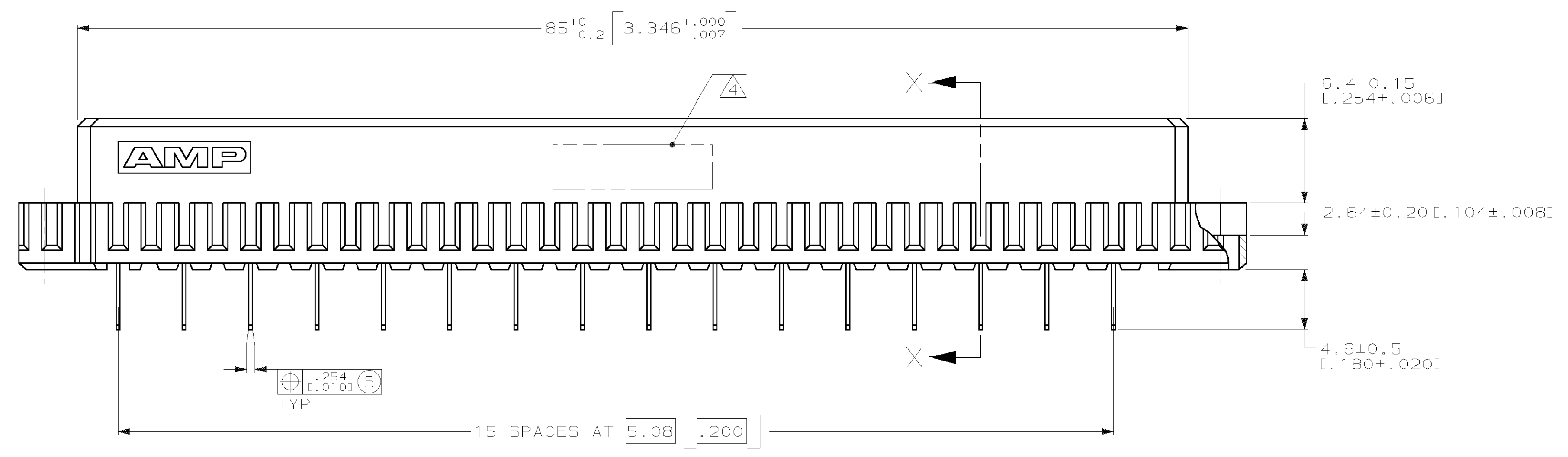


LOC	DIST	P	F	ZONE	LTR	DESCRIPTION	DATE	APPD
AD	25					EC 0010-1455-95	1/23/96	CR
						EC 0010-1484-95	4/1/96	CR
						REV PER EC OUTB-0367-00	09 JAN 01	CR



- ① HOUSING MATERIAL: GLASS-FILLED POLYESTER. COLOR: GRAY.
- ② CONTACT MATERIAL: PHOSPHOR BRONZE.
- ③ CONTACT FINISH: 0.00076[.000030] GOLD IN CONTACT AREA. 0.00127[.000050] NICKEL UNDERPLATE ALL OVER. TIN-LEAD ON POSTS.
- ④ PART NUMBER, DATE CODE IDENTIFICATION, CSA LOGO IN THIS APPROXIMATE AREA ON REVERSE SIDE.
- ⑤ POINT OF MEASUREMENT FOR GOLD.
- ⑥ RECOMMENDED HOLE SIZE FOR MANUAL APPLICATION OF CONNECTOR ONTO PC BOARD.
- ⑦ CONTACT FINISH: DIN 41612 CLASS 2 IN CONTACT AREA. TIN-LEAD ON POSTS.



SUPERSEDED BY	POSITIONS LOADED	C	B	A	NO. OF LOADED POSITION	ASSY PART NUMBER
7/3	2,4,6,8...30,32	X	-	X	32	650463-4

DO NOT SCALE PRINT. UNLESS SPECIFIED DIMENSIONS IN mm [INCHES]. TOLERANCES ON: 1 PLC DEC ± - 2 PLC DEC ± 0.13 [0.005] ANGLES ± -	DR L. BRINER 3/13/90	NAME	AMP INCORPORATED Harrisburg, Pa. 17105
	CHK N. DRASHER 3/22/90		
	APPD N. DRASHER 3/22/90	RECEPTACLE ASSEMBLY, EUROCARD, TYPE "C"	
	APPD K.R. PARMER 3/23/90		
HSG CONT	APPLICATION SPEC	SIZE D	FSCM NO 00779
FINISH CONT	WEIGHT	DRAWING NO	650463
		SCALE	4:1
		SHEET	1 OF 1

单击下面可查看定价，库存，交付和生命周期等信息

[>>TE Connectivity\(泰科\)](#)