

THIS SPECIFICATION SHEET FORMS A PART OF THE LATEST ISSUE OF RAYCHEM SPECIFICATION 1200.

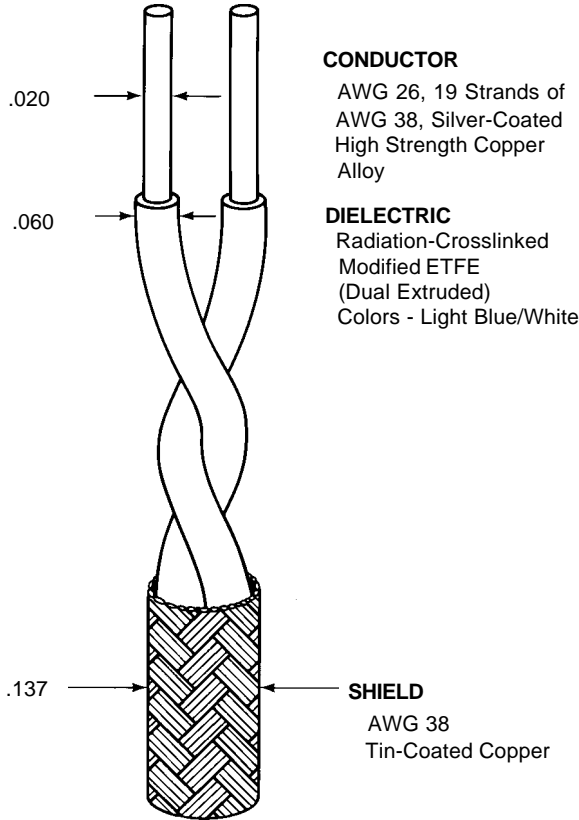
CONSTRUCTION DETAILS

ELECTRICAL CHARACTERISTICS

DIMENSIONS ARE NOMINAL VALUES IN INCHES UNLESS OTHERWISE DESIGNATED.

CHARACTERISTIC IMPEDANCE	100 ± 10 ohms, Method C at 1 MHz
CAPACITANCE - MUTUAL	16.0 pF/ft. (nominal)

ADDITIONAL REQUIREMENTS



COMPONENT WIRE PRIOR TO CABLING
(Test Procedures per SAE AS22759)

CROSSLINK PROOF	300 ± 3°C for 1 hour, .750 inch mandrel, .625 lb., 2.5 kV dielectric test
LOW TEMPERATURE COLD BEND SHRINKAGE	-65 ± 2°C for 4 hours, .500 inch mandrel, .500 lb., 2.5 kV dielectric test
INSULATION RESISTANCE INSULATION (DIELECTRIC) (total insulation)	200 ± 3°C for 1 hour, .125 inch (maximum) in 12 inches
TENSILE STRENGTH	5000 lbf/in ² (minimum)
ELONGATION	50% (minimum)
INSULATION FLAWS	5000 megohms for 1000 ft. (minimum)
SPARK TEST	3.0 kV (rms)
IMPULSE TEST	8.0 kV (peak)

FINISHED CABLE (Test Procedures per NEMA WC27500)

SHIELD COVERAGE	90% (minimum)
VOLTAGE WITHSTAND (DIELECTRIC)	1500 volts (rms)
WEIGHT	11.6 lbs/1000 ft. (nominal)

Other codes and suffixes may be added to the part number, as necessary, to capture any additional requirements imposed by the purchase order.

Users should evaluate the suitability of this product for their application. Specifications are subject to change without notice. Tyco Electronics also reserves the right to make changes in materials or processing, which do not affect compliance with any specification, without notification to Buyer.



Raychem
Wire & Cable

501 Oakside Avenue
Redwood City, California 94063-3800
1-800-227-8816 Fax: 1-650-361-6297

THIS SPECIFICATION SHEET TAKES PRECEDENCE OVER DOCUMENTS REFERENCED HEREIN. REFERENCED DOCUMENTS SHALL BE OF THE ISSUE IN EFFECT ON DATE OF INVITATION FOR BID.

© 2006 Tyco Electronics Corporation. All rights reserved.

单击下面可查看定价，库存，交付和生命周期等信息

[>>TE Connectivity\(泰科\)](#)