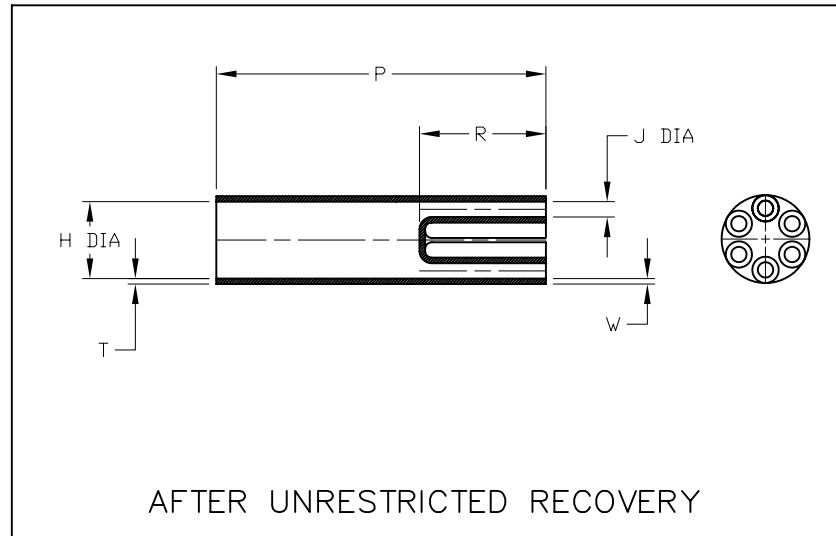
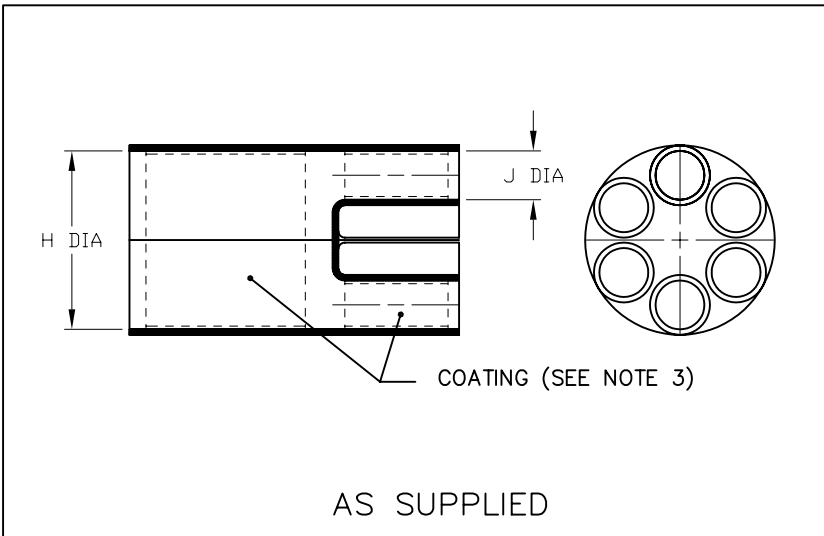


REVISIONS		
LTR	DESCRIPTION	DATE
C	REVISED PER ECD-08-016725	07/07/2008



PART DESCRIPTION	H		J		P	R	T	W
	MIN	MAX	MIN	MAX	±10%	MIN	±20%	±20%
	a	b	a	b	b	b	b	b
703A155	<u>2.39</u> [60,7]	<u>1.45</u> [36,8]	<u>.80</u> [20,3]	<u>.35</u> [8,9]	<u>5.40</u> [137,2]	<u>2.00</u> [50,8]	<u>.14</u> [3,5]	<u>.10</u> [2,5]

NOTES

- ALL DIMENSIONS ARE IN $\frac{\text{INCHES}}{\text{MILLIMETERS}}$
- DIMENSIONS APPEARING IN TABLE ARE AS FOLLOWS:
 a - AS SUPPLIED
 b - AFTER UNRESTRICTED RECOVERY
- COATING IS OPTIONAL. AS SUPPLIED DIMENSIONS APPEARING IN TABLE ARE FOR UNCOATED PARTS. WHEN COATING IS ADDED, ENTRY DIAMETERS WILL BE REDUCED BY .06 MAX

If this document is printed it becomes uncontrolled. Check for the latest revision

CUSTOMER DRAWING

UNLESS OTHERWISE SPECIFIED DIMENSIONS ARE INCHES. METRIC DIMENSIONS ARE IN BRACKETS.	DRAWN	DATE		Raychem Molded Parts 305 Constitution Dr Menlo Park, CA 94025
	UNGUYEN	07/07/2008		
DECIMAL TOLERANCES	RPN		TITLE	
.XXX ± 0.005 [0.13 mm]	THIRD ANGLE PROJECTION		TRANSITION, 4 ENTRY	
.XX ± 0.01 [0.25 mm]				
.X ± 0.1 [0.50 mm]				
ANGLE TOLERANCE	© 2008 Tyco Electronics Corporation. All rights reserved.		SIZE	DWG. NO.
.X ± 1 DEG.	DO NOT SCALE THIS DRAWING		B	06090
			8703A155	
			SHEET 1 OF 2	

4

3

2

1

D

D

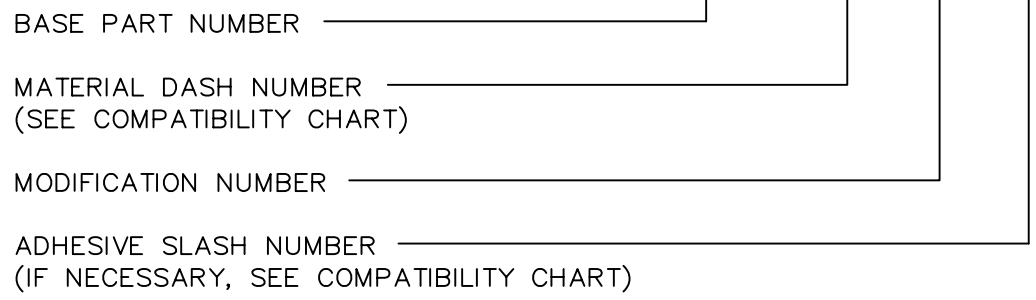
COMPATIBILITY CHART					
MATERIAL DASH NO.	MATERIAL DESCRIPTION	RT SPEC	COATING SLASH NO.	COATING SPEC	COATING DESCRIPTION
-3	POLYOLEFIN, SEMI-RIGID	RT-301	/42; /86;	S-1017; S-1048	ADHESIVE
-4	POLYOLEFIN, FLEXIBLE	RT-1304	/42; /86;	S-1017; S-1048	ADHESIVE
-25	ELASTOMER, FLUID RESISTANT	RT-1325	/42; /86;	S-1017; S-1048	ADHESIVE

C

C

ORDERING INFORMATION

703A155 -XX -XX /XX



B

B

A

A

If this document is printed it becomes uncontrolled. Check for the latest revision

CUSTOMER DRAWING

SIZE	DWG. NO.	REV	DWG. NO.	
B	06090	C		703A155
DO NOT SCALE THIS DRAWING			SHEET 2 OF 2	

4

3

2

1

单击下面可查看定价，库存，交付和生命周期等信息

[>>TE Connectivity\(泰科\)](#)