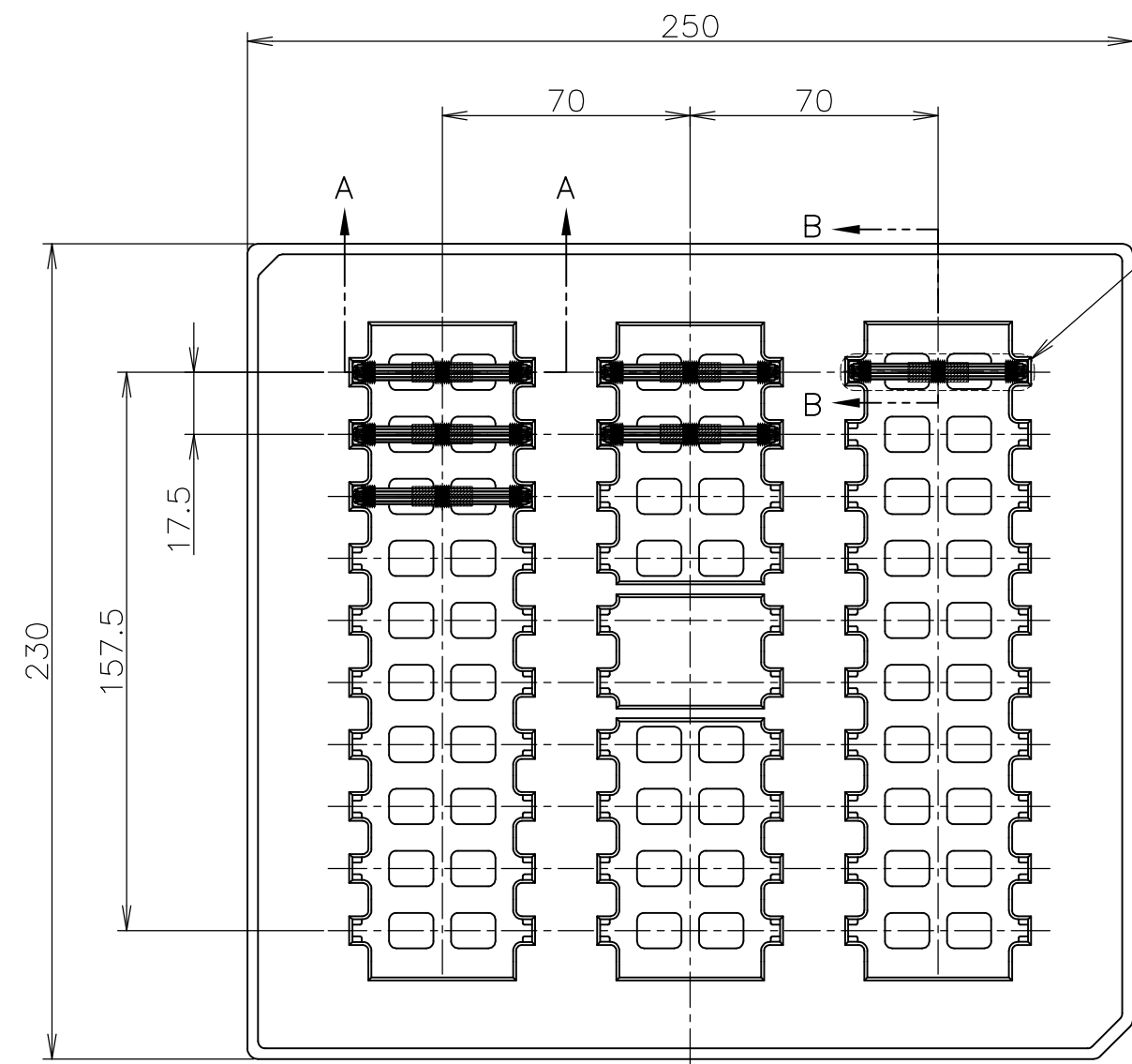
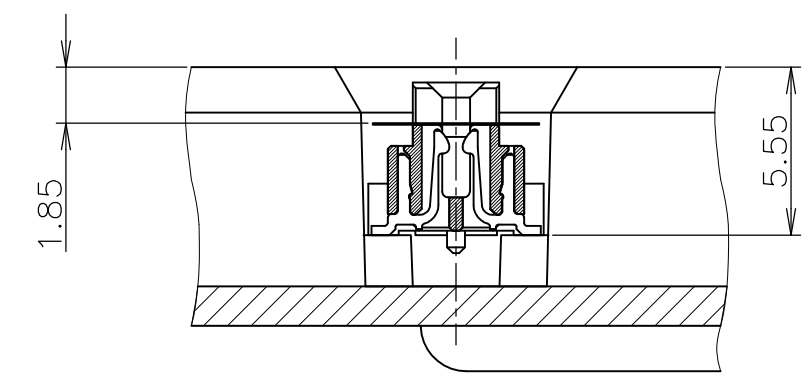


THIS DRAWING IS UNPUBLISHED. RELEASED FOR PUBLICATION JUL ,2004.
 © COPYRIGHT 2004 By - ALL RIGHTS RESERVED.

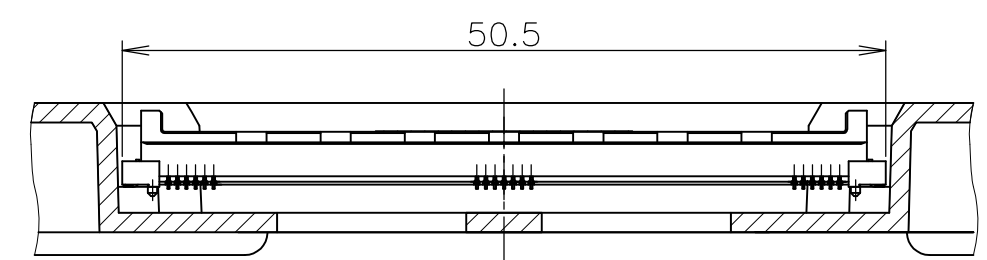
LOC	DIST	REVISIONS 変更			
P	LTR	DESCRIPTION	DATE	DWN	APVD
J		A1	REVISED PER ECO-11-005030	11MAR11	RK HMR



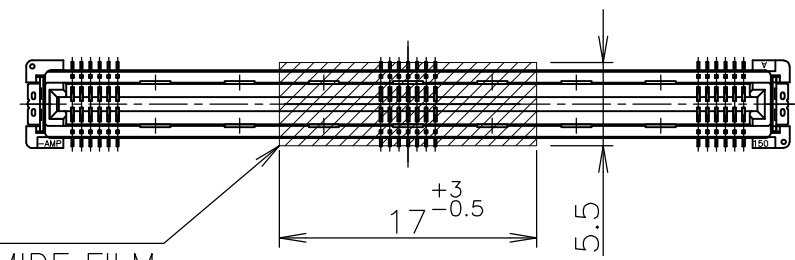
SEE DETAIL C



B-B
(SCALE 4:1)

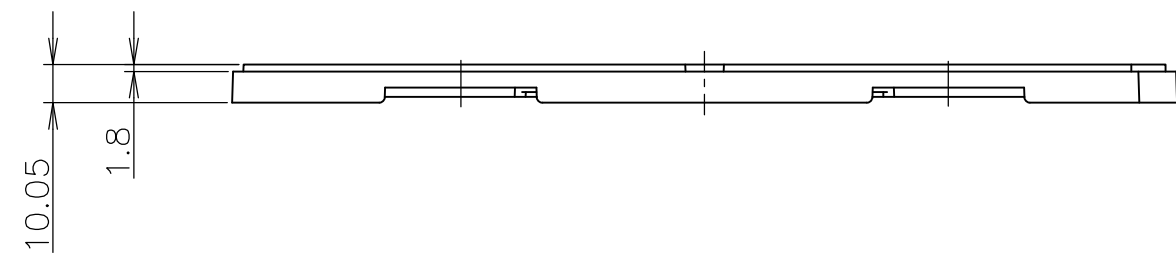


A-A
(SCALE 2:1)



DETAIL C
(SCALE 2:1)

接着剤付ポリイミドフィルム
1枚 (厚さ=0.05)
ONE SHEET OF POLYIMIDE FILM
WITH ADHESIVE (t = 0.05)



30	150	3-912071-1	6123088-1	6123215-1
QTY	POS.	TRAY P/N	CONN P/N	PART No.

THIS DRAWING IS A CONTROLLED DOCUMENT.

DIMENSIONS: 単位: 耗 MM	TOLERANCES UNLESS OTHERWISE SPECIFIED: 一般公差
0 PLC ±	1 PLC ±
2 PLC ±	3 PLC ±
4 PLC ±	ANGLES ±
MATERIAL 材料	FINISH 仕上

GENERAL TOLERANCE
一般公差

10 ≥ : ±0.2
30 ≥ > 10: ±0.25
100 ≥ > 30: ±0.3
ANGLES: ±3°

DWN T.TSUZAKI 7JUL04
CHK K.YAMAGUCHI 7JUL04
APVD H.MURAMATSU 7JUL04

STE TE Connectivity

PRODUCT SPEC
製品規格
108-78191

APPLICATION SPEC
取付適用規格

NAME 名称
HARD TRAY ASSY
0.6mm PITCH
CARD EDGE CONNECTOR

SIZE A3 CAGE CODE 00779 DRAWING NO. C-6123215 RESTRICTED TO 番号

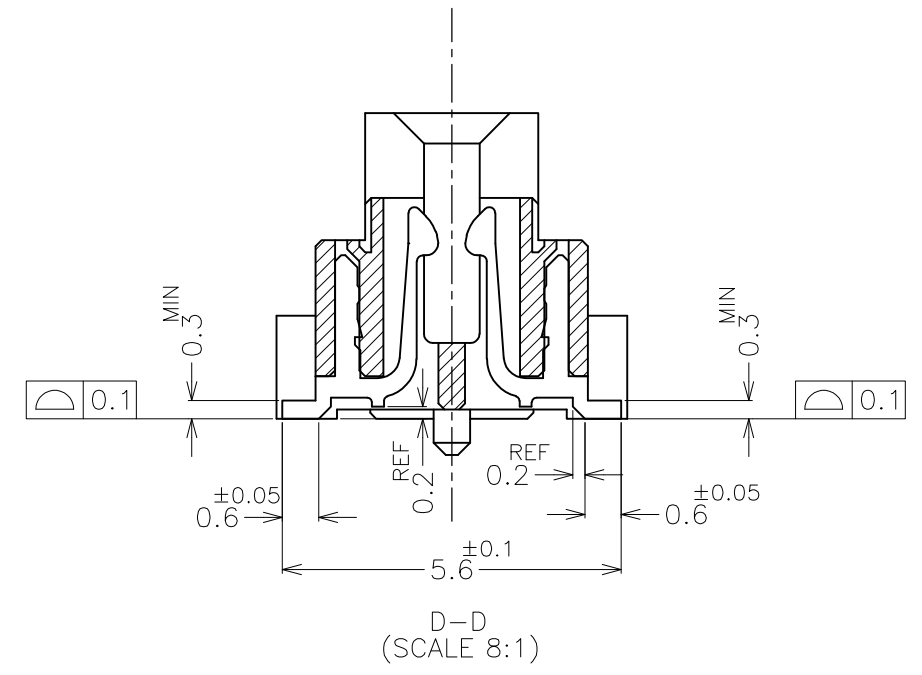
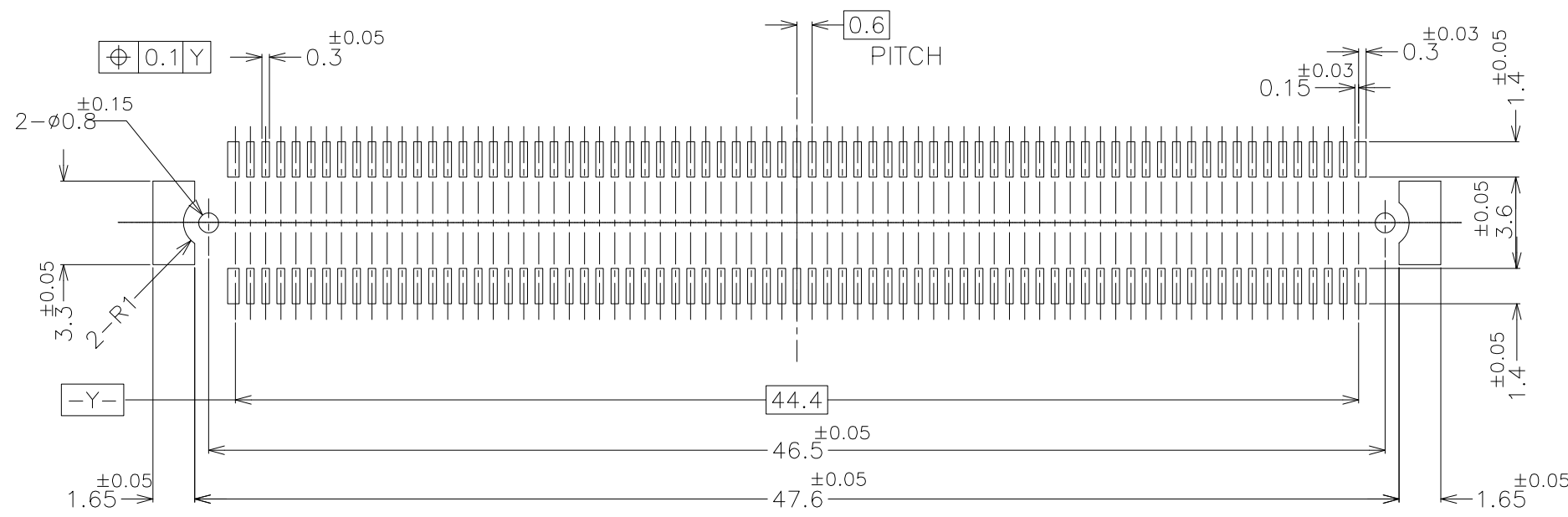
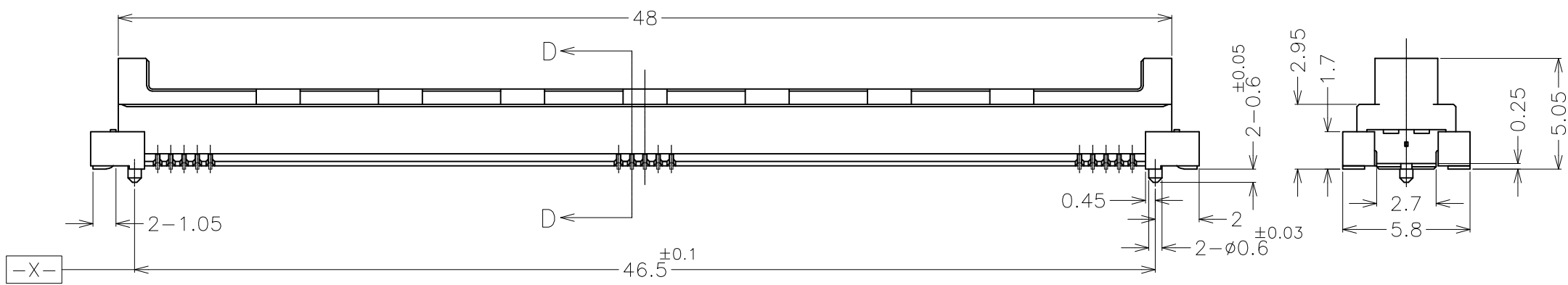
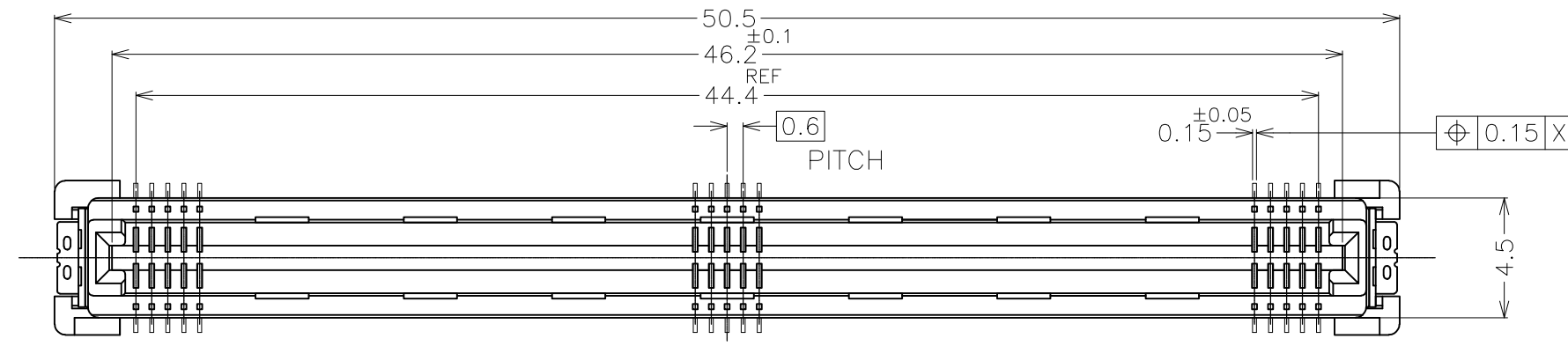
WEIGHT

CUSTOMER DRAWING SCALE 尺度 1:2 SHEET 1 OF 2 REV A1

THIS DRAWING IS UNPUBLISHED. RELEASED FOR PUBLICATION JUL ,2005.
 © COPYRIGHT 2005 By - ALL RIGHTS RESERVED.

LOC	DIST	REVISIONS					
J		P	LTR	DESCRIPTION	DATE	DWN	APVD

6123088-1(150P):AS SHOWN(REFERENCE)



参考基板取り付け寸法
 REFERENCE P.C.BOARD LAYOUT

GENERAL TOLERANCE
 一般公差

10 ≥ :	±0.2
30 ≥ > 10:	±0.25
100 ≥ > 30:	±0.3
ANGLES: ±3°	

THIS DRAWING IS A CONTROLLED DOCUMENT.		DWN	STE TE Connectivity		
DIMENSIONS: 単位: 耗 MM		CHK			
TOLERANCES UNLESS OTHERWISE SPECIFIED: 一般公差		APVD	NAME 名称		
0 PLC ±		PRODUCT SPEC 製品規格	HARD TRAY ASSY		
1 PLC ±		APPLICATION SPEC 取付適用規格	0.6mm PITCH		
2 PLC ±		WEIGHT	SIZE	CAGE CODE	DRAWING NO
3 PLC ±		CUSTOMER DRAWING	A3	00779	C-6123215
4 PLC ±			SCALE	SHEET	REV
ANGLES ±		FINISH 仕上	4:1	2 OF 2	A1

单击下面可查看定价，库存，交付和生命周期等信息

[>>TE Connectivity\(泰科\)](#)