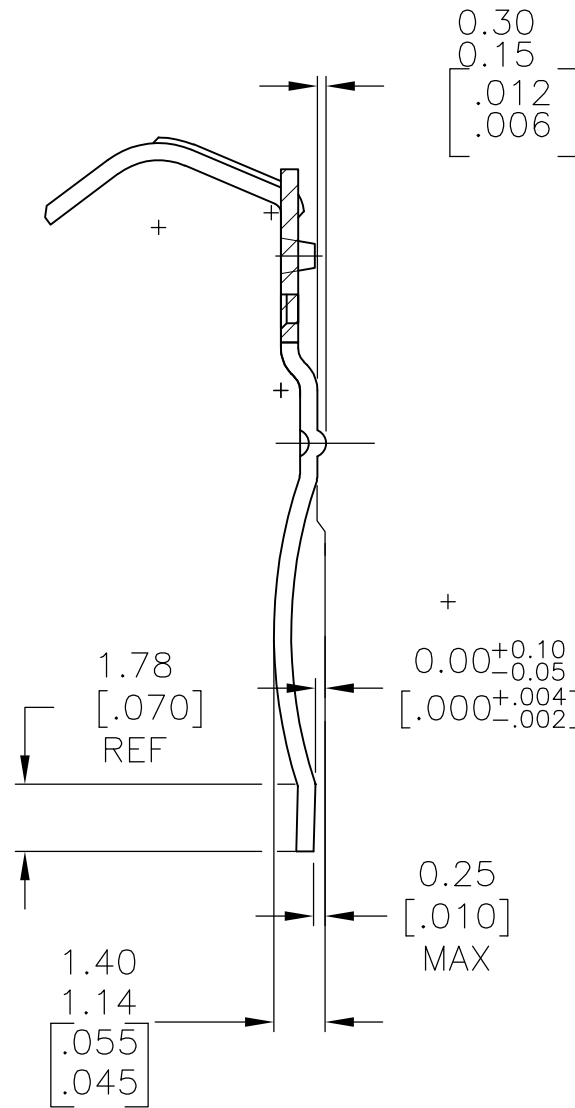
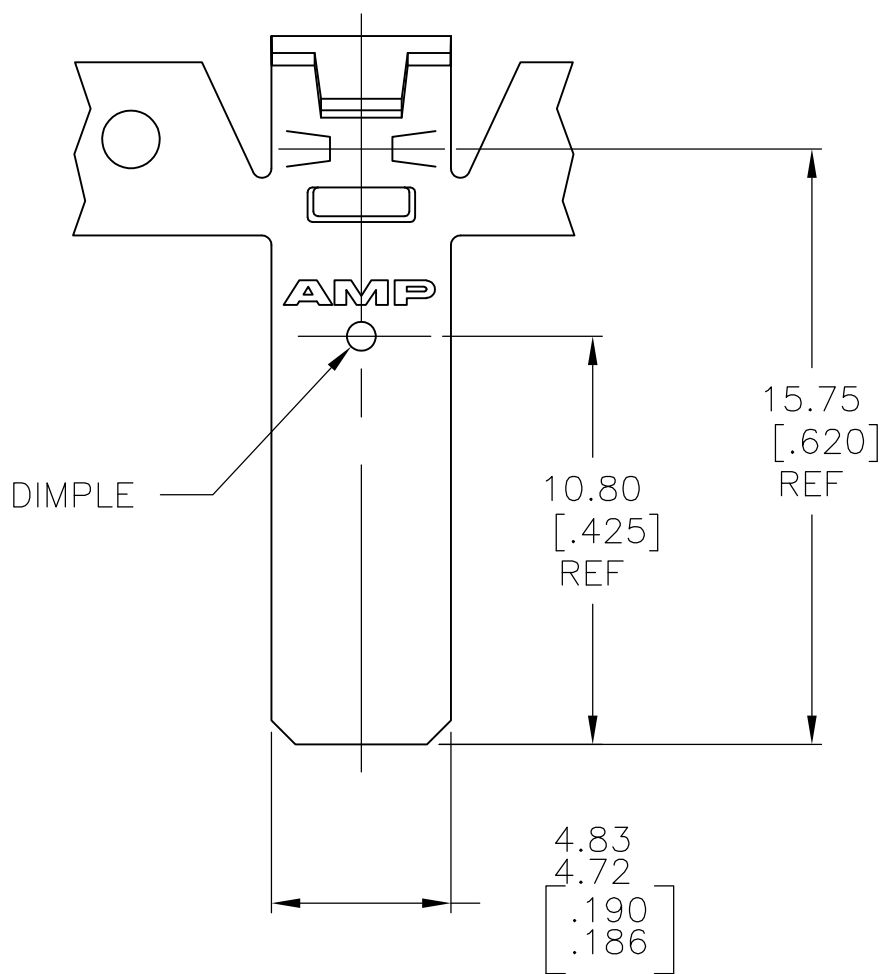


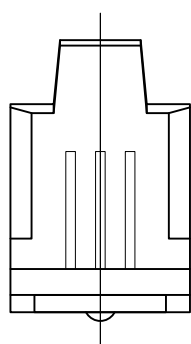
THIS DRAWING IS UNPUBLISHED. RELEASED FOR PUBLICATION
 © COPYRIGHT BY TYCO ELECTRONICS CORPORATION. ALL RIGHTS RESERVED.

LOC AF DIST 50

REVISIONS					
P	LTR	DESCRIPTION	DATE	DWN	APVD
	A2	REVISED PER ECR-07-029757	14DEC07	HMR	GP
	A3	REVISED PER ECR-13-000187	07JAN13	B.P	YH.M



1 PRODUCT PROVIDED IN STRIP FORM ON SPLICE FREE REELS.



0.00203[.000080] MIN TIN	0.457±0.025[.018±.001] THK H03 PHOS BRONZE	20-14 AWG	1742492-2
FINISH	MATERIAL	WIRE RANGE	PART NUMBER

THIS DRAWING IS A CONTROLLED DOCUMENT.		DWN B.P 07JAN2013	Tyco Electronics Corporation Harrisburg, PA 17105-3608	
DIMENSIONS: mm [INCHES]	TOLERANCES UNLESS OTHERWISE SPECIFIED:	CHK F.M 07JAN2013	NAME BRUSH CONTACT, TAB-LOCK LEFT HAND	
	0 PLC ± -	APVD YH.M 07JAN2013	PRODUCT SPEC	
	1 PLC ± -	PRODUCT SPEC	APPLICATION SPEC	
MATERIAL SEE TABLE	FINISH SEE TABLE	WEIGHT -	SIZE A3	CAGE CODE 00779
CUSTOMER DRAWING			DRAWING NO C-1742492	RESTRICTED TO -
			SCALE 5:1	SHEET 1 OF 1
			REV A3	

单击下面可查看定价，库存，交付和生命周期等信息

[>>TE Connectivity\(泰科\)](#)