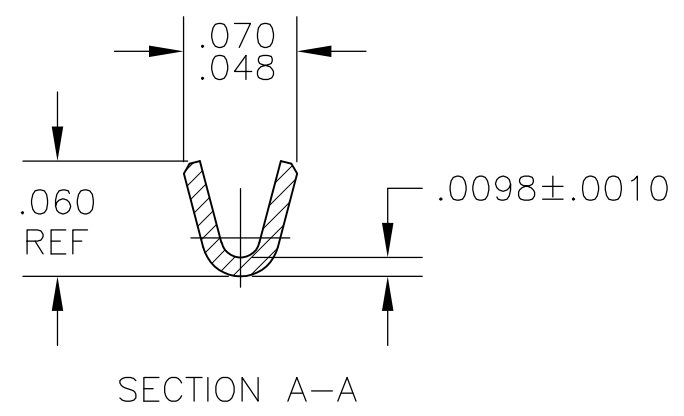
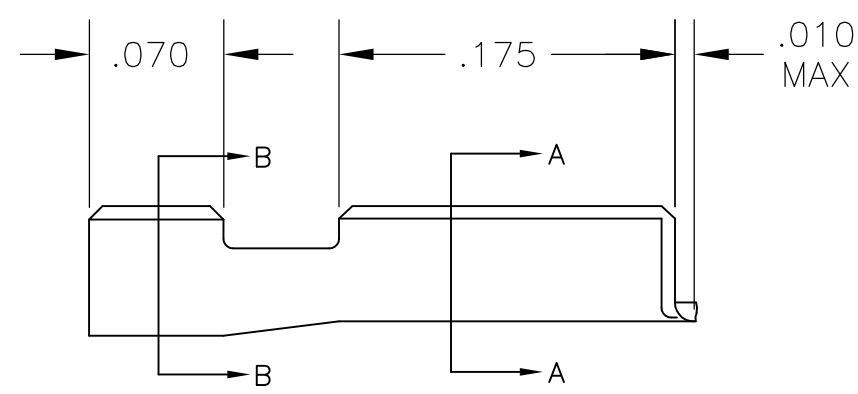
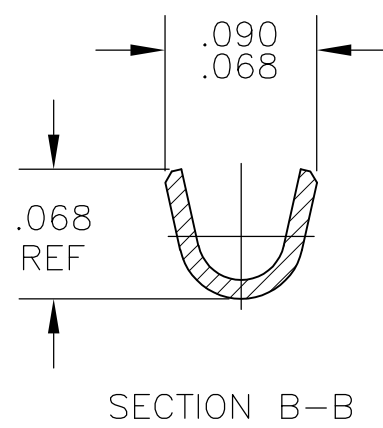
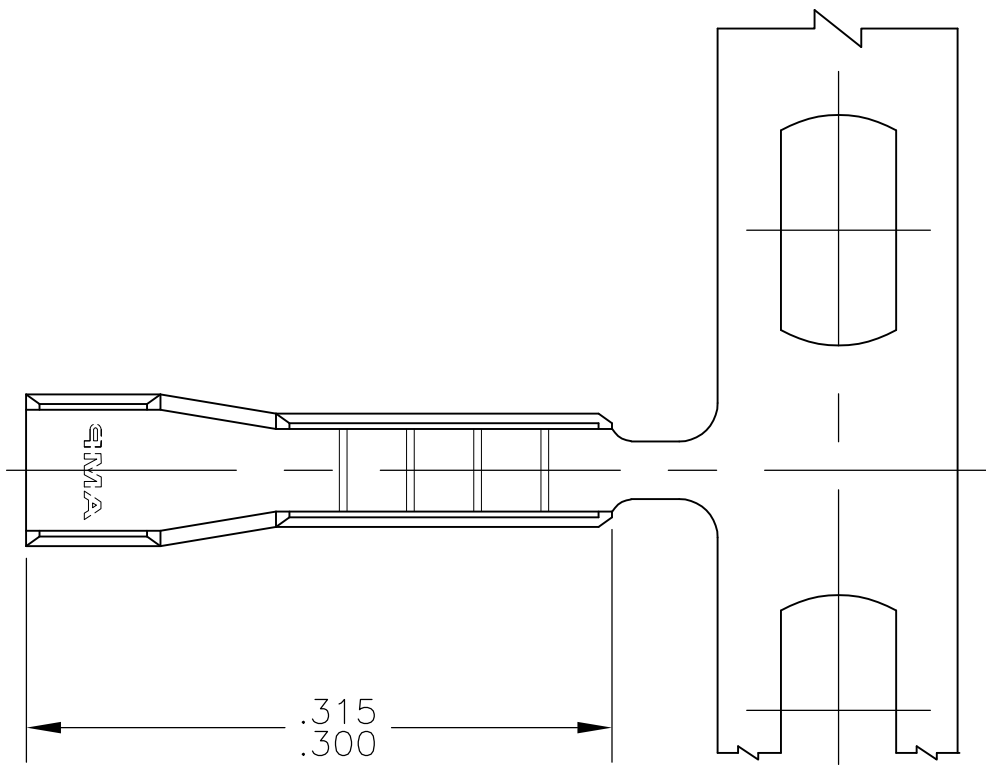


THIS DRAWING IS UNPUBLISHED. RELEASED FOR PUBLICATION
 © COPYRIGHT BY TYCO ELECTRONICS CORPORATION. ALL RIGHTS RESERVED.

LOC	DIST	REVISIONS				
P	LTR	DESCRIPTION	DATE	DWN	APVD	
AF	50	J1	ECR-07-010352(REDRAWN IN AUTOCAD)	28FEB07	HMR	GP

- CONTINUOUS STRIP ON REELS.
- INSULATION RANGE: .038 - .042 DIA
- REFER TO APPLICATION SPECIFICATION 114-2013



TIN	1) #26(7/#34) &	62382-2
NONE	1) 25 SOLID (.0180 DIA)	62382-1
FINISH	WIRE RANGE	PART NO

THIS DRAWING IS A CONTROLLED DOCUMENT.		DWN RAGHAVENDRA 28FEB07	Tyco Electronics Corporation Harrisburg, Pa 17105-3608													
DIMENSIONS: INCHES		CHK G.D.PORTA 28FEB07														
TOLERANCES UNLESS OTHERWISE SPECIFIED:		APVD G.D.PORTA 28FEB07	NAME													
<table border="0"> <tr><td>0 PLC</td><td>± -</td></tr> <tr><td>1 PLC</td><td>± -</td></tr> <tr><td>2 PLC</td><td>± -</td></tr> <tr><td>3 PLC</td><td>± .010</td></tr> <tr><td>4 PLC</td><td>± -</td></tr> <tr><td>ANGLES</td><td>± -</td></tr> </table>		0 PLC	± -	1 PLC	± -	2 PLC	± -	3 PLC	± .010	4 PLC	± -	ANGLES	± -	PRODUCT SPEC	SPLICE	
0 PLC	± -															
1 PLC	± -															
2 PLC	± -															
3 PLC	± .010															
4 PLC	± -															
ANGLES	± -															
MATERIAL H04 BRASS		FINISH SEE TABLE	APPLICATION SPEC	RESTRICTED TO												
		WEIGHT -	SIZE A3	CAGE CODE 00779												
			DRAWING NO G-62382	REV J1												
		CUSTOMER DRAWING	SCALE 10:1	SHEET 1 OF 1												

单击下面可查看定价，库存，交付和生命周期等信息

[>>TE Connectivity\(泰科\)](#)